



OLB-51-20
15.0-22.0GHz Standard Gain Horn Antenna

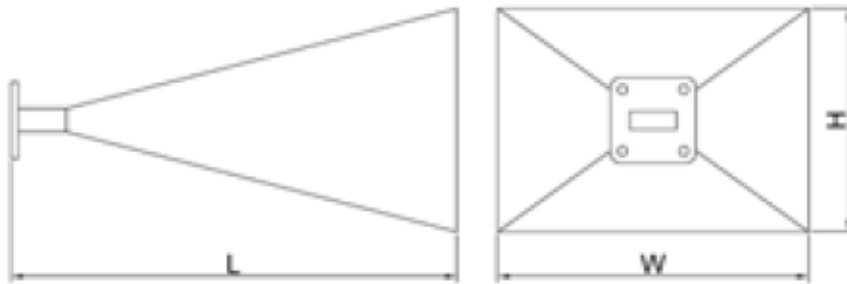
1/10

一、Description

Frequency Range(GHz)	15.0 - 22.0
Gain(dB)	20 Typ.
3dB Beamwidth(deg)	18 Typ.
Waveguide	WR51
Material	Cu
Output	A Type: FBP180 C Type: SMA-F
Size(mm) W x H x L	A Type: 77x60x110 C Type: 77x60x137
Net Weight(Kg)	A Type: 0.20 Around C Type: 0.30 Around

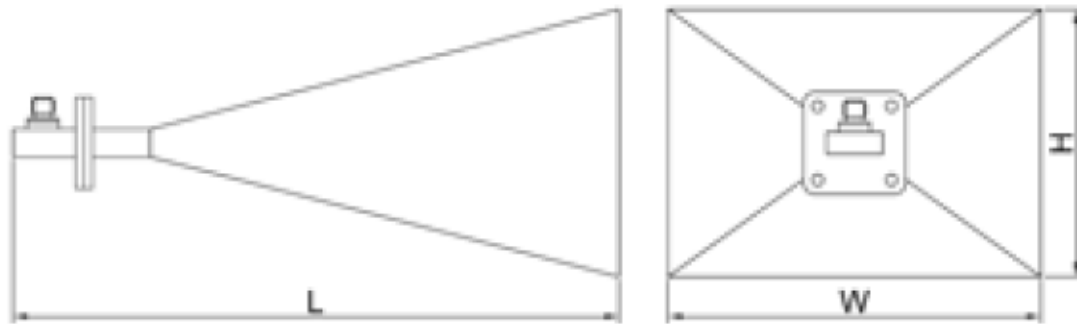
二、Dimension(mm)

A Type



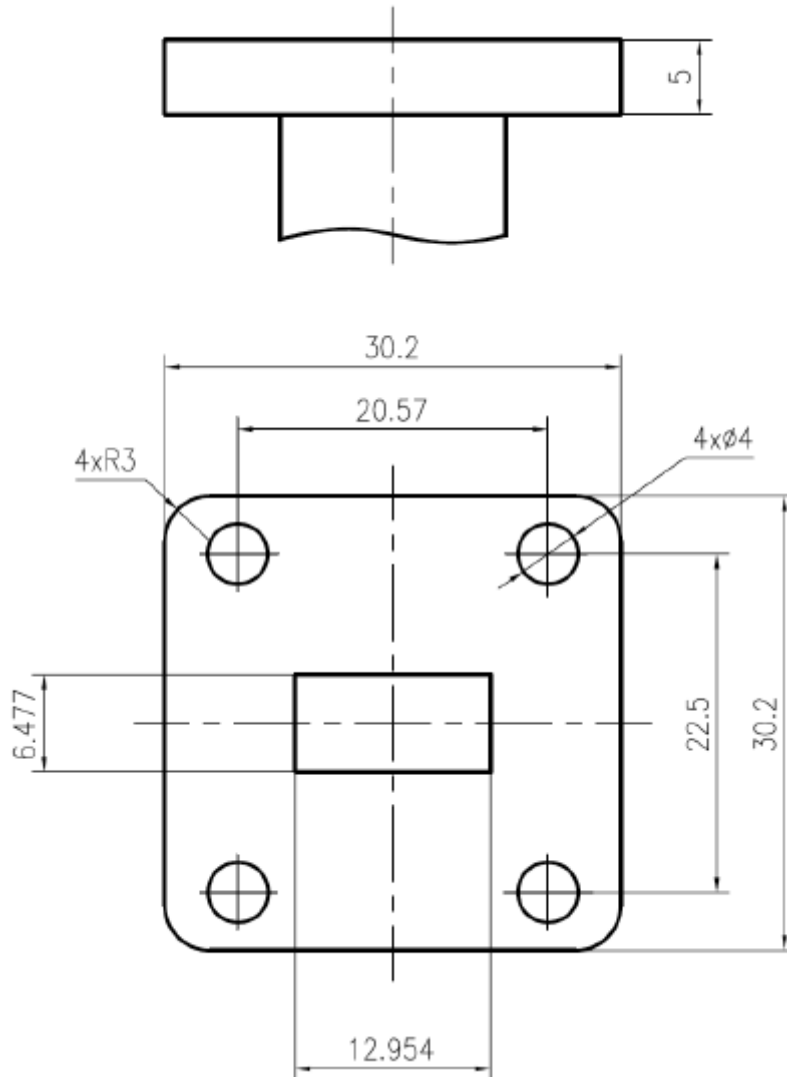
W x H x L: 77x60x110

C Type



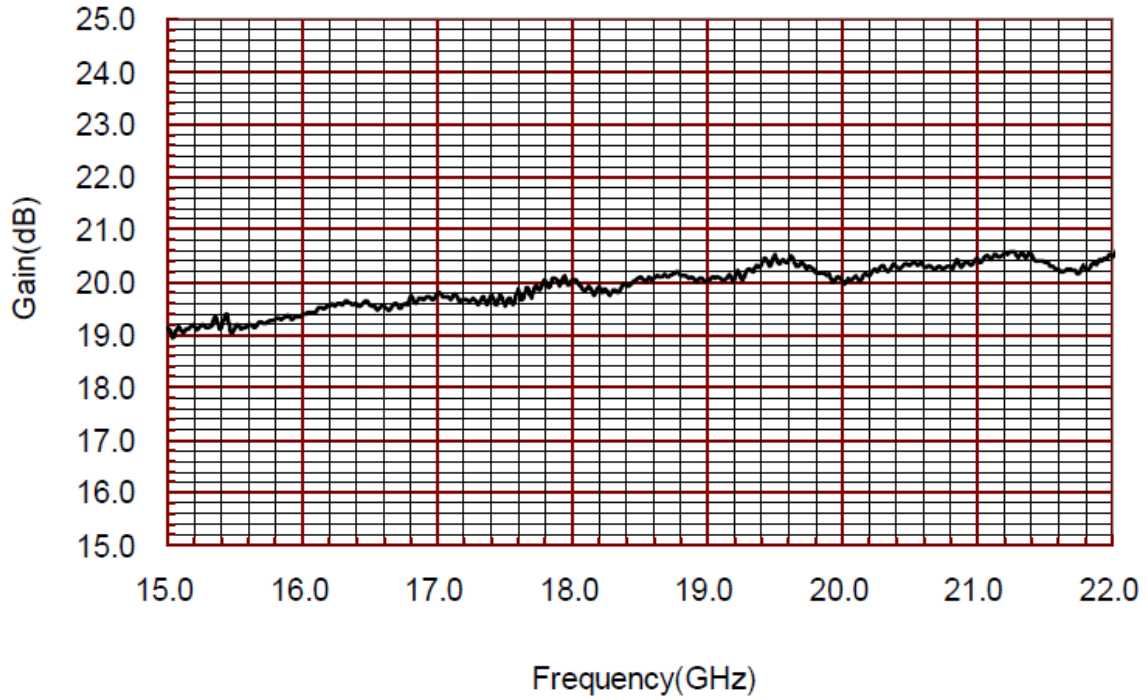
W x H x L: 77x60x137

三、Flange Drawing(mm)

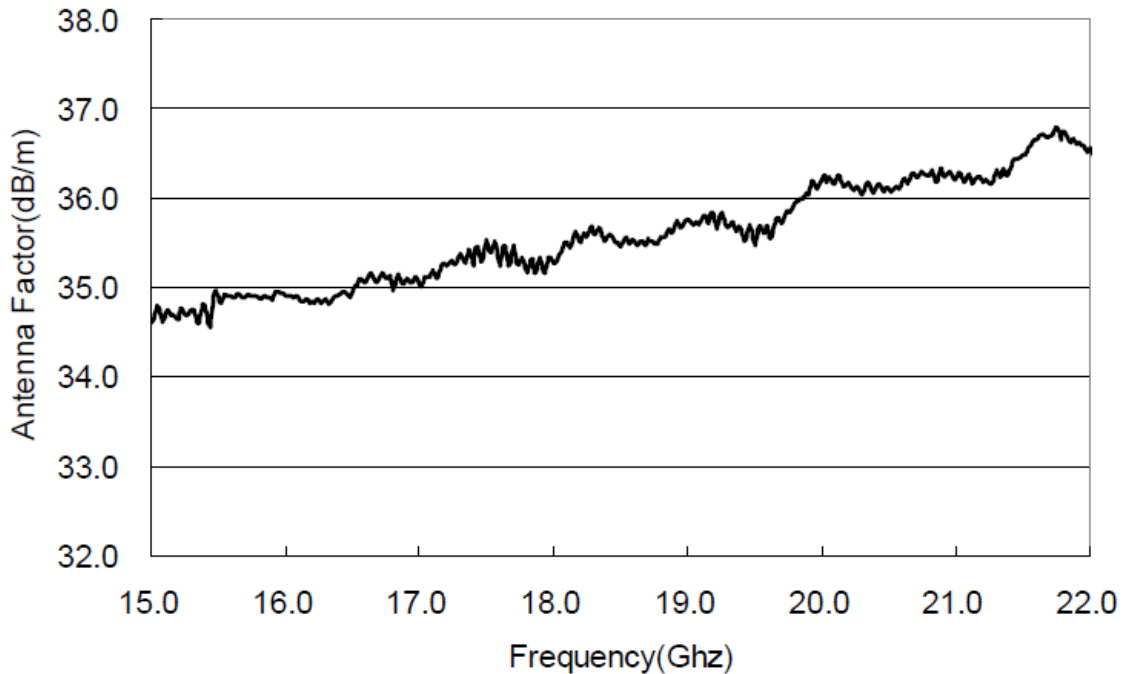


四、Test Result

1、Gain&Frequency



2、Antenna Factor



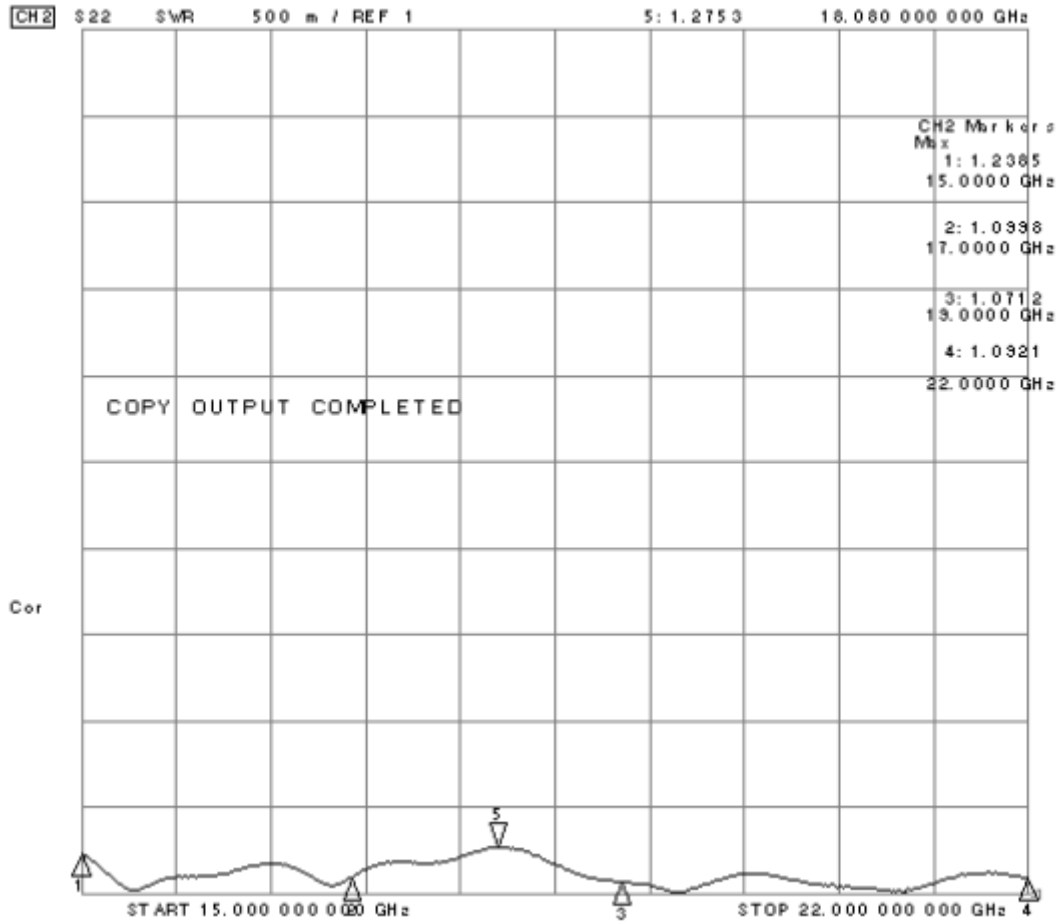


OLB-51-20
15.0-22.0GHz Standard Gain Horn Antenna

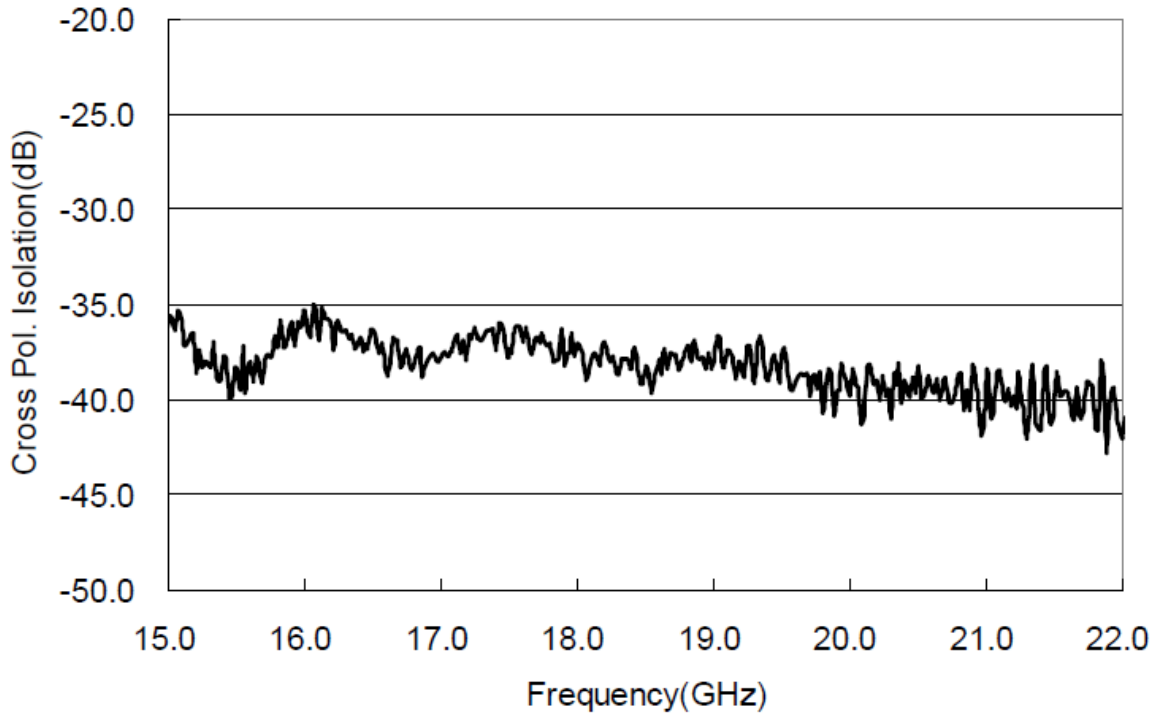
5/10

Frequency(GHz)	Gain(dB)	Antenna Factor(dB/m)
15.0	19.12	34.62
15.5	19.16	34.86
16.0	19.38	34.91
16.5	19.57	34.99
17.0	19.77	35.05
17.5	19.53	35.54
18.0	20.04	35.28
18.5	20.09	35.46
19.0	20.01	35.77
19.5	20.54	35.47
20.0	20.00	36.23
20.5	20.32	36.12
21.0	20.45	36.21
21.5	20.38	36.48
22.0	20.49	36.57

3、VSWR



4、 Cross Polarization Isolation



5、Pattern

