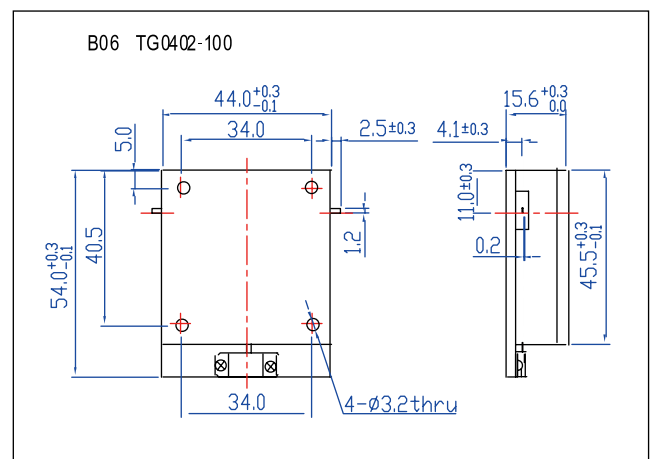
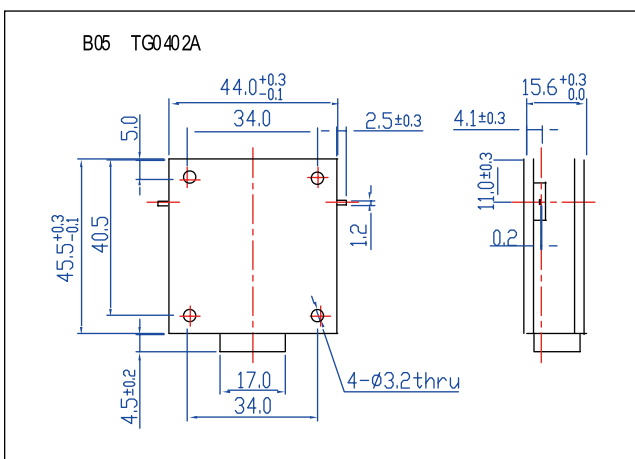
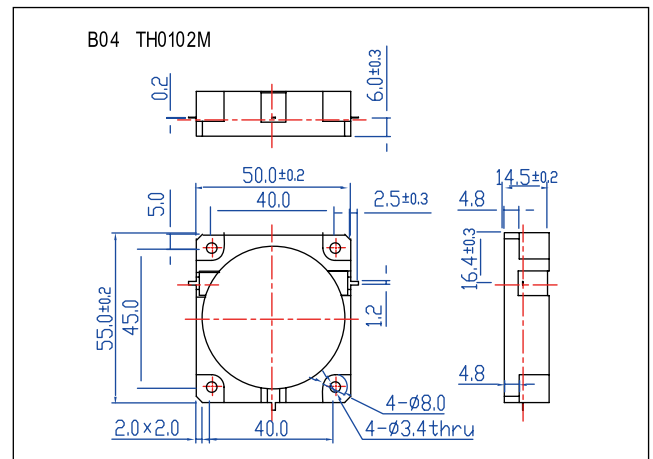
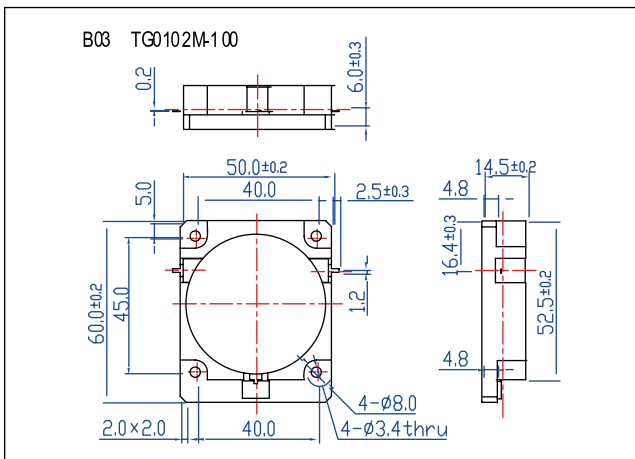
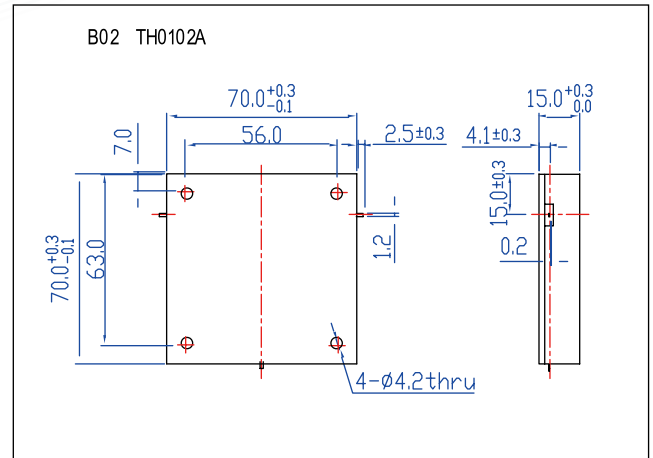
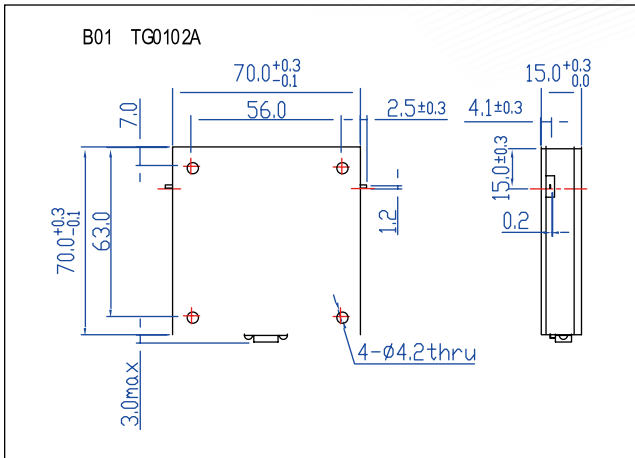




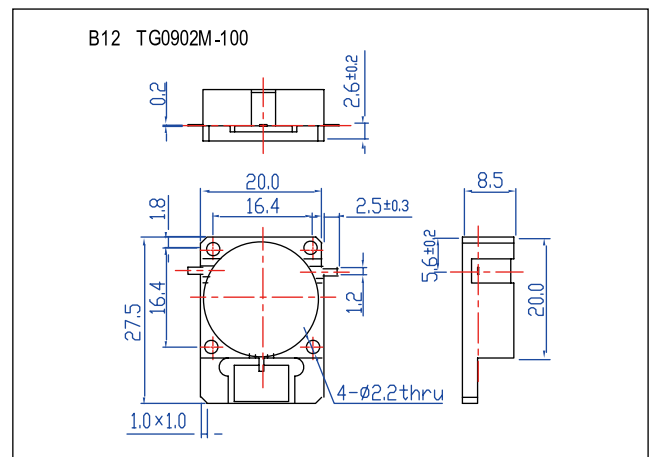
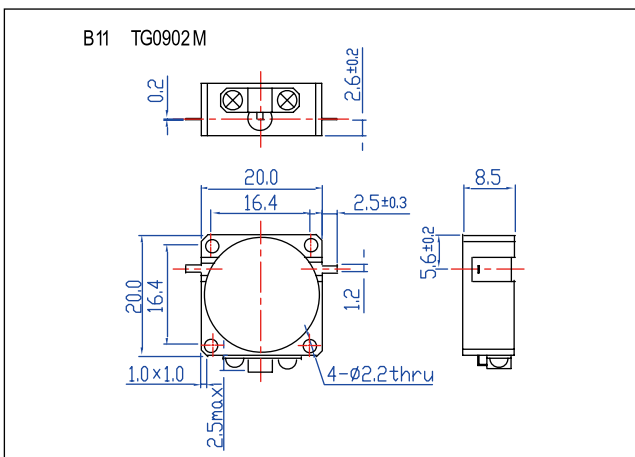
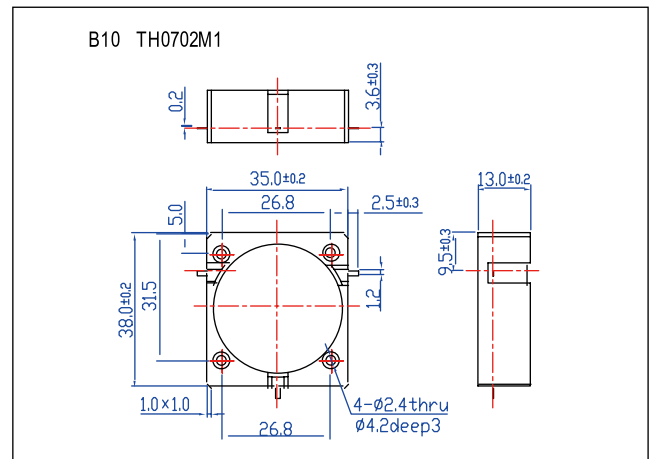
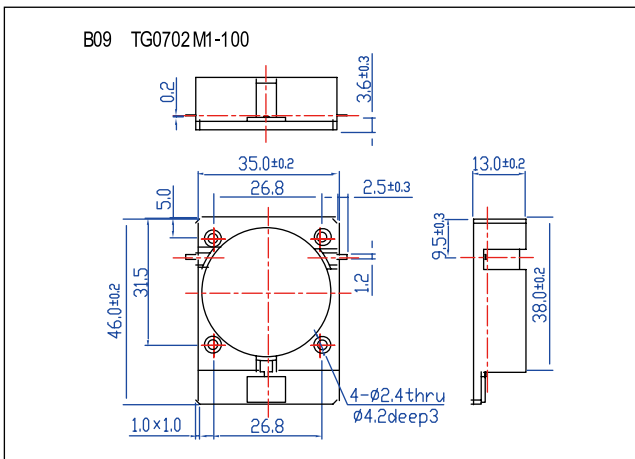
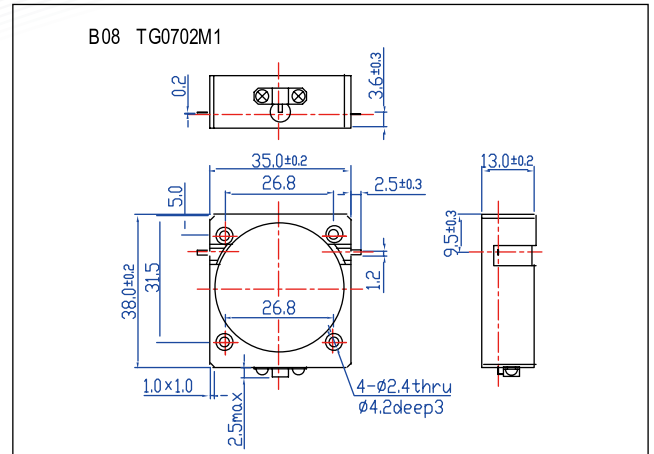
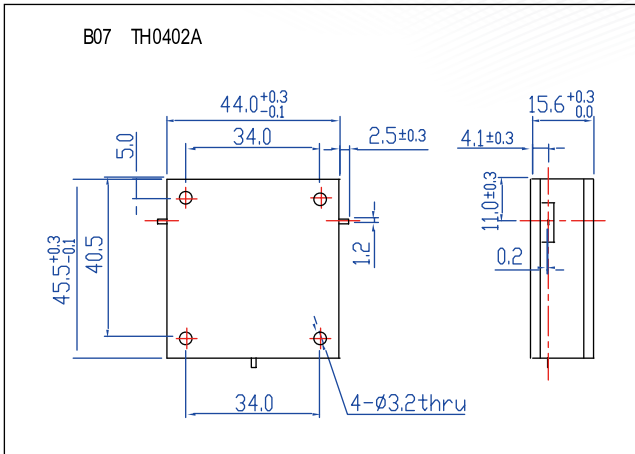
Drop-in Series

| Outline Drawing | Part Number | Frequency Range (GHz) | Relative Bandwidth | Insertion Loss (dB Max) | Isolation (dB Min) | VSWR (Max) | Operating Temperature (°C) | Load Power (W) | Connector Type |
|-----------------|--------------|-----------------------|--------------------|-------------------------|--------------------|------------|----------------------------|----------------|----------------|
| B01 | TG0102A | 0.14-0.24 | 5% | 0.6 | 18 | 1.3 | 0 ~ +60 | 100 | TAB |
| B02 | TH0102A | 0.14-0.24 | 5% | 0.6 | 18 | 1.3 | 0 ~ +60 | / | TAB |
| B03 | TG0102M-100 | 0.20-0.40 | 10% | 0.5 | 18 | 1.3 | 0 ~ +60 | 100 | TAB |
| B04 | TH0102M | 0.20-0.40 | 10% | 0.5 | 18 | 1.3 | 0 ~ +60 | / | TAB |
| B05 | TG0402A | 0.35-0.55 | 10% | 0.4 | 20 | 1.25 | -15 ~ +60 | 10 | TAB |
| B06 | TG0402-100 | 0.35-0.55 | 10% | 0.4 | 20 | 1.25 | -15 ~ +60 | 100 | TAB |
| B07 | TH0402A | 0.35-0.55 | 10% | 0.4 | 20 | 1.25 | -15 ~ +60 | / | TAB |
| B08 | TG0702M1 | 0.5-1.0 | 10% | 0.4 | 23 | 1.2 | -30 ~ +70 | 10 | TAB |
| B09 | TG0702M1-100 | 0.5-1.0 | 10% | 0.4 | 23 | 1.2 | -30 ~ +70 | 100 | TAB |
| B10 | TH0702M1 | 0.5-1.0 | 10% | 0.4 | 23 | 1.2 | -30 ~ +70 | / | TAB |
| B11 | TG0902M | 0.8-2.2 | 5% | 0.4 | 23 | 1.2 | -40 ~ +85 | 10 | TAB |
| B12 | TG0902M-100 | 0.8-2.2 | 5% | 0.4 | 23 | 1.2 | -40 ~ +85 | 100 | TAB |
| B13 | TH0902M | 0.8-2.2 | 5% | 0.4 | 23 | 1.2 | -40 ~ +85 | / | TAB |
| B14 | TG102M-10 | 0.8-2.2 | 10% | 0.3 | 23 | 1.2 | -40 ~ +85 | 10 | TAB |
| B15 | TH102M-10 | 0.8-2.2 | 10% | 0.3 | 23 | 1.2 | -40 ~ +85 | / | TAB |
| B16 | TG102M6 | 0.8-2.2 | 10% | 0.3 | 23 | 1.2 | -40 ~ +85 | 100 | TAB |
| B17 | TH102M6 | 0.8-2.2 | 10% | 0.3 | 23 | 1.2 | -40 ~ +85 | / | TAB |
| B18 | TG102M3-10 | 1.2-3.8 | 5% | 0.4 | 23 | 1.2 | -40 ~ +85 | 10 | TAB |
| B19 | TG102M3-100 | 1.2-3.8 | 5% | 0.4 | 23 | 1.2 | -40 ~ +85 | 100 | TAB |
| B20 | TH102M3-100 | 1.2-3.8 | 5% | 0.4 | 23 | 1.2 | -40 ~ +85 | / | TAB |
| B21 | TG302C2 | 3.0-7.0 | 5% | 0.4 | 20 | 1.25 | -40 ~ +70 | 5 | TAB |
| B22 | TH302C2 | 3.0-7.0 | 5% | 0.4 | 20 | 1.25 | -40 ~ +70 | / | TAB |
| B23 | TG402A | 3.5-8.0 | 10% | 0.4 | 23 | 1.2 | -40 ~ +70 | 10 | TAB |
| B24 | TH402A | 3.5-8.0 | 10% | 0.4 | 23 | 1.2 | -40 ~ +70 | / | TAB |
| B25 | TG1002E | 7-18 | 10% | 0.4 | 20 | 1.25 | -40 ~ +70 | 5 | TAB |
| B26 | TH1002C2 | 7-18 | 10% | 0.4 | 20 | 1.25 | -40 ~ +70 | / | TAB |
| B27 | TG2002 | 18-24.5 | 10% | 0.6 | 18 | 1.35 | -40 ~ +70 | 2 | TAB |
| B28 | TH2002 | 18-24.5 | 10% | 0.6 | 18 | 1.35 | -40 ~ +70 | / | TAB |

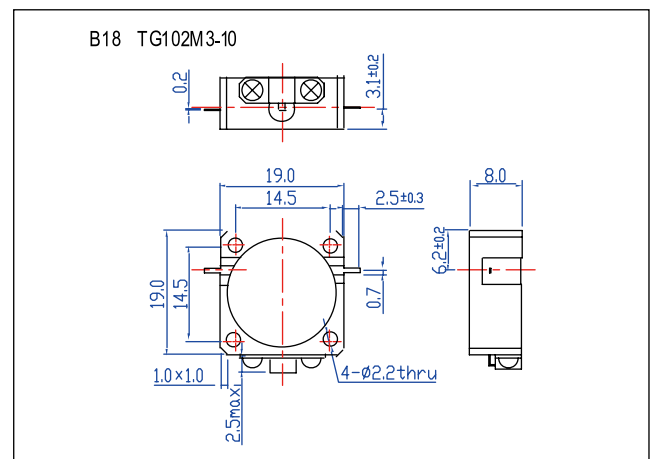
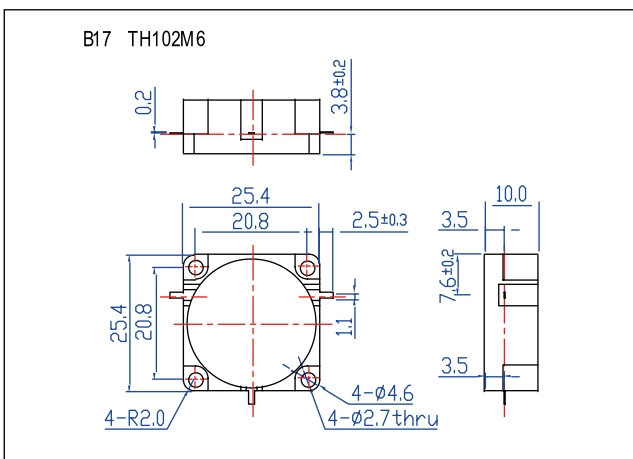
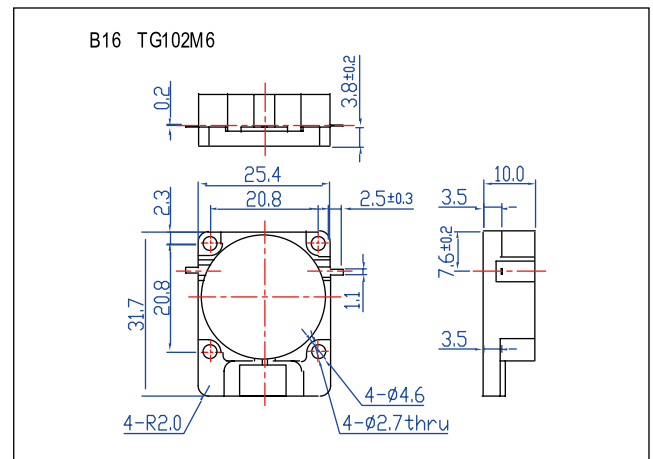
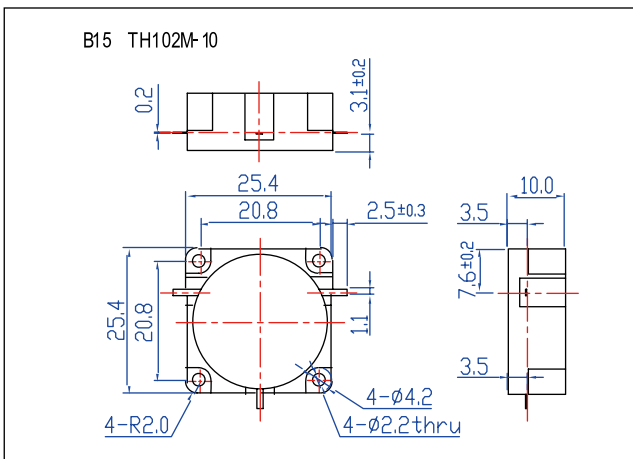
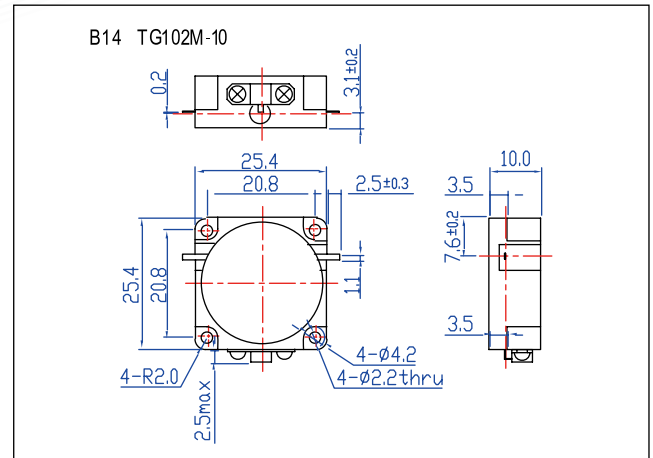
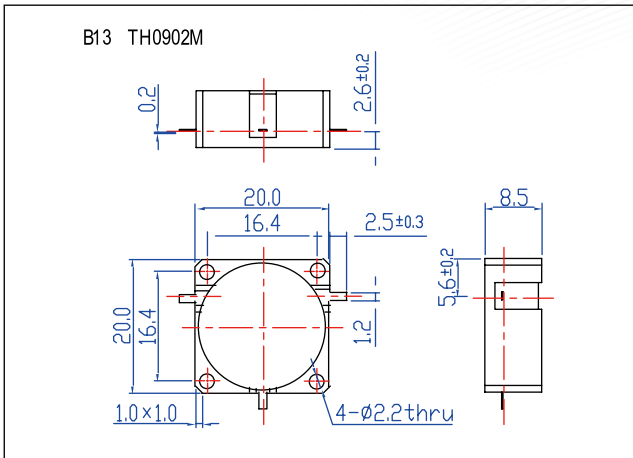
Note All the specifications above are at room temperature (25 °C±5 °C)



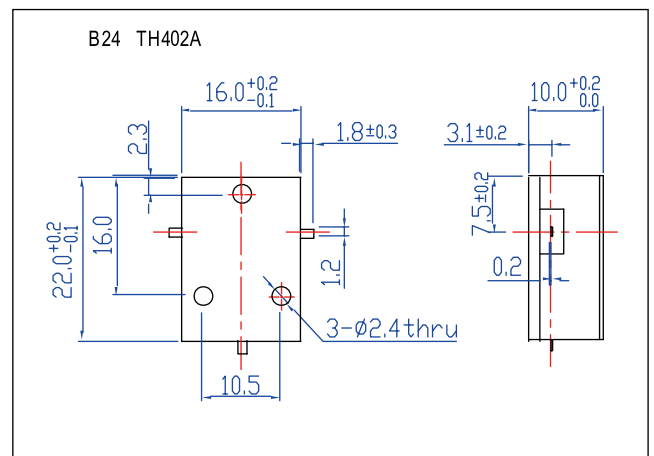
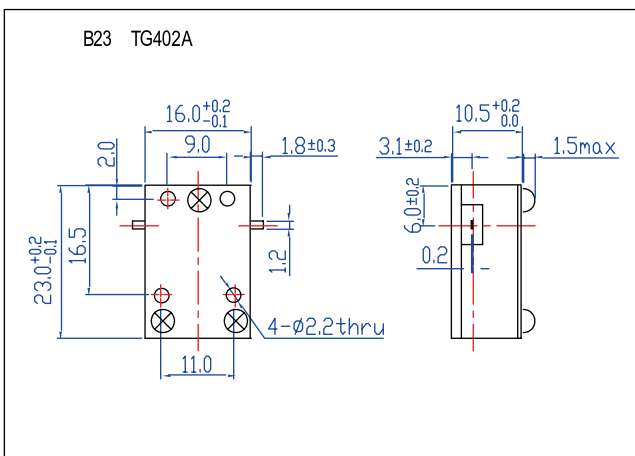
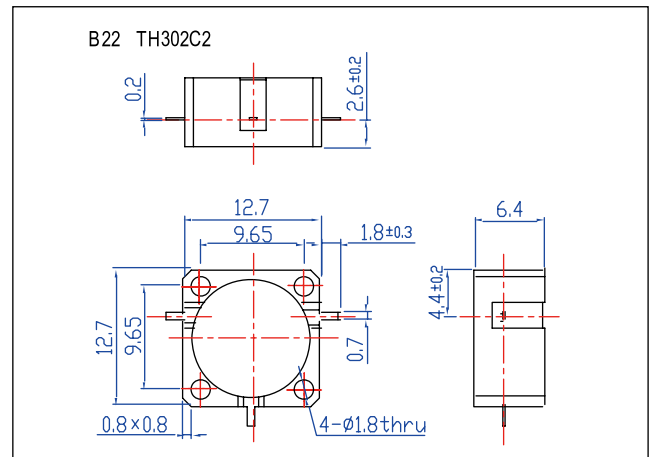
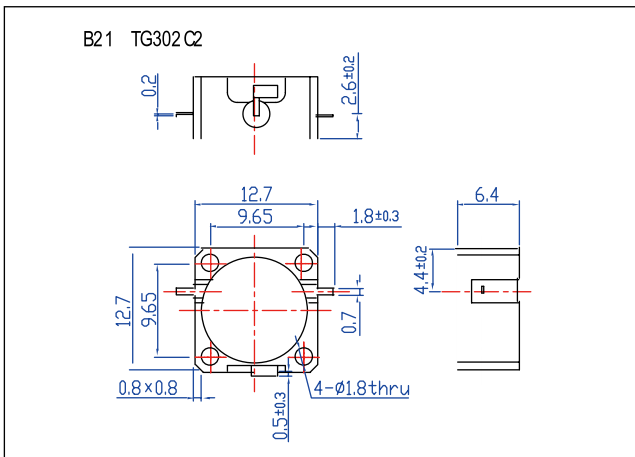
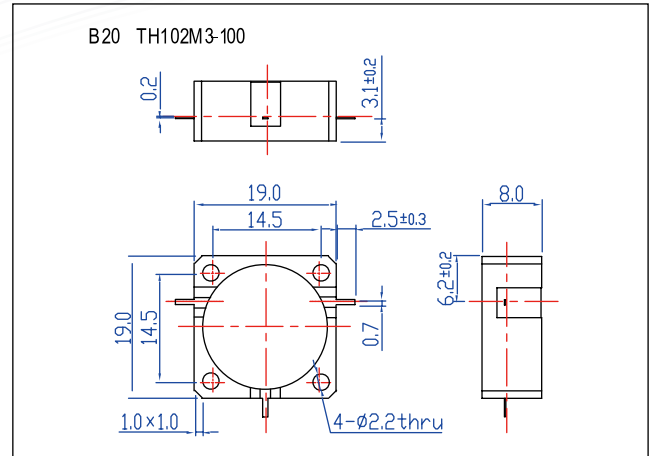
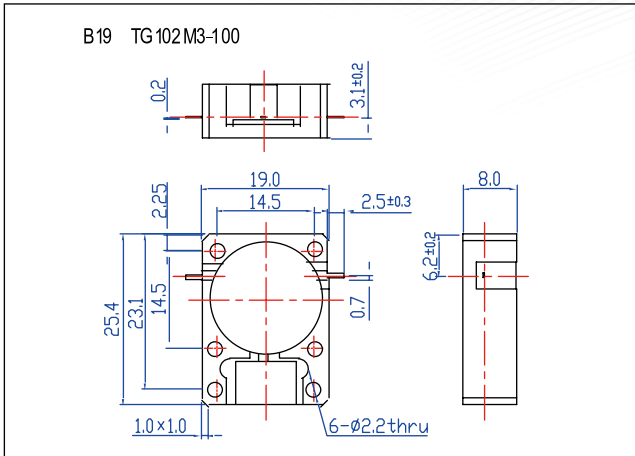
Note All dimensions are in mm



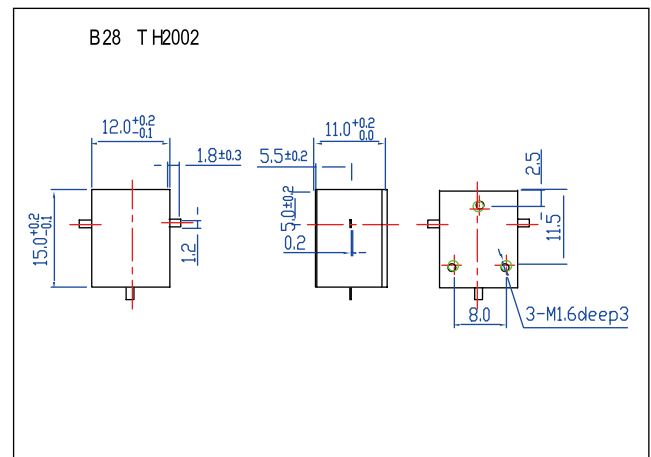
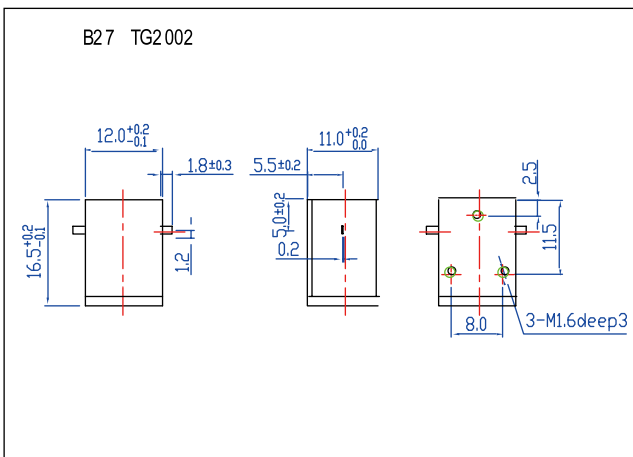
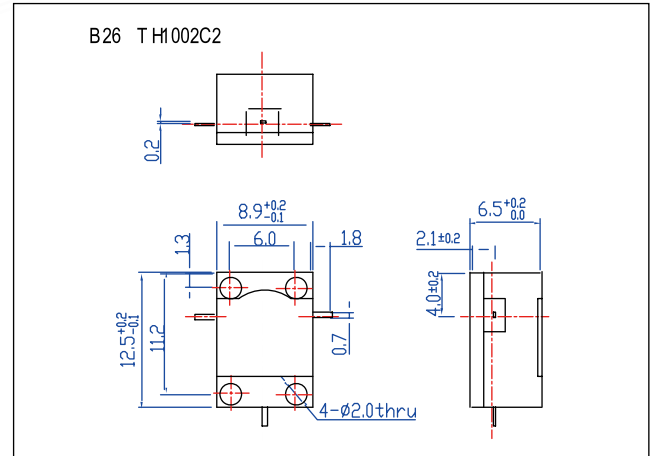
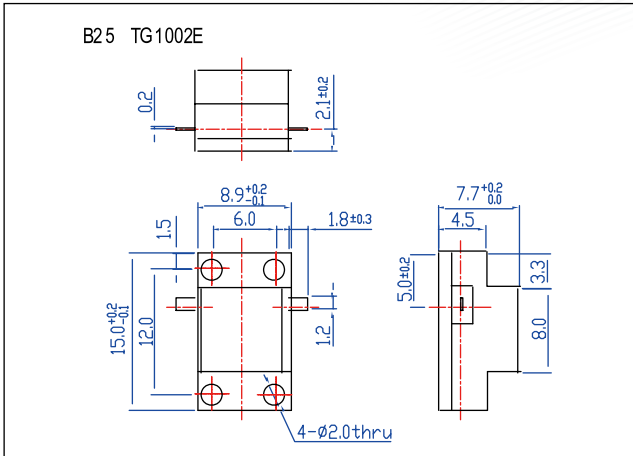
Note: All dimensions are in mm



Note All dimensions are in mm



Note All dimensions are in mm



Note : All dimensions are in mm