

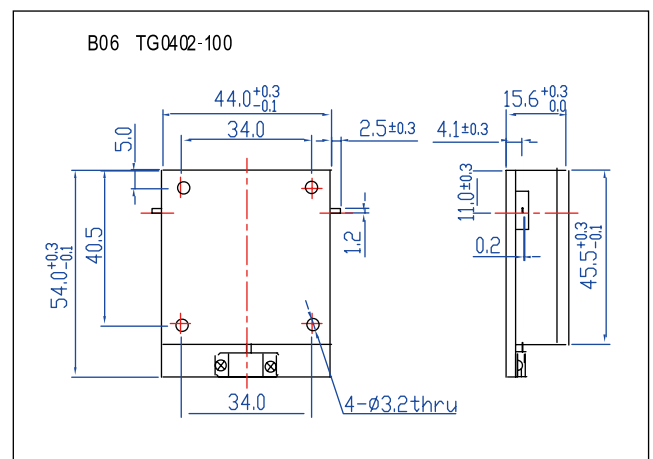
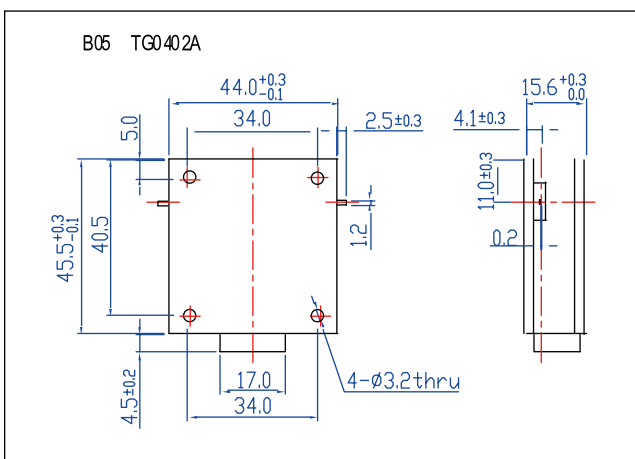
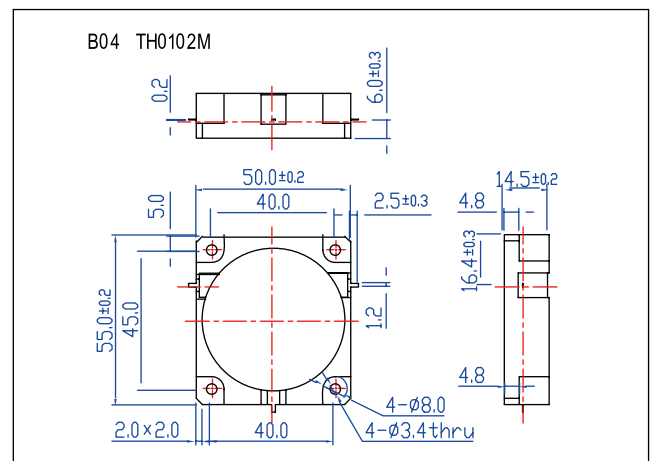
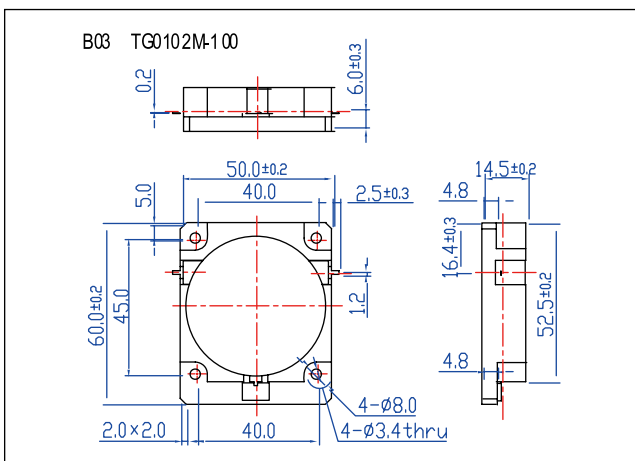
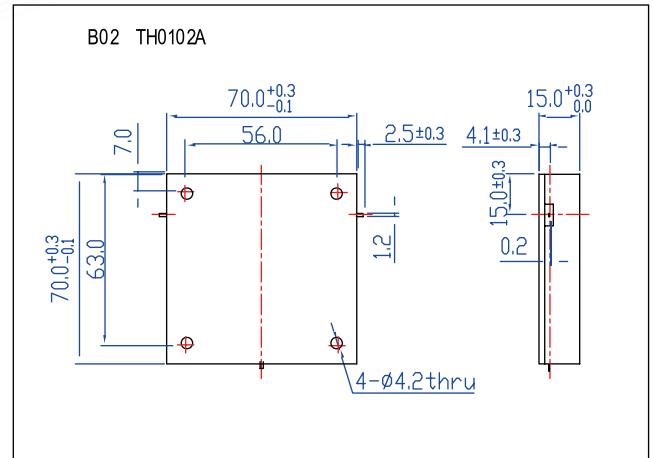
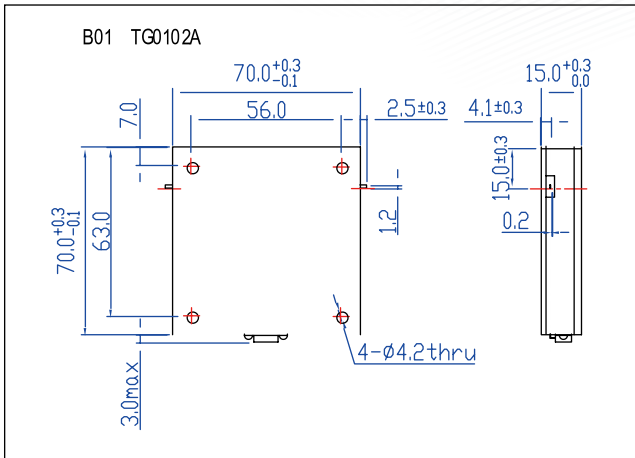


Drop-in Series

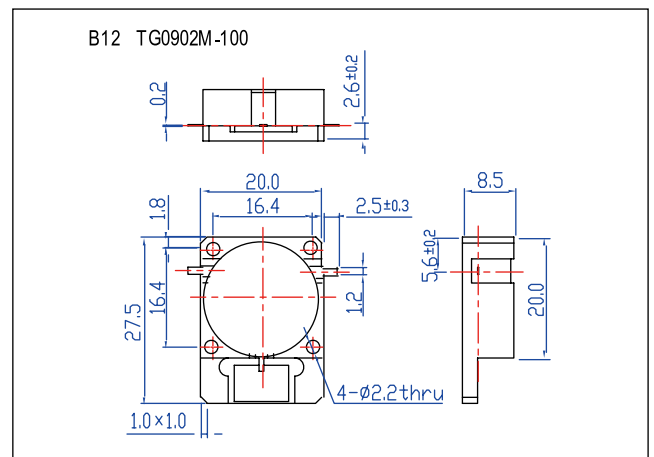
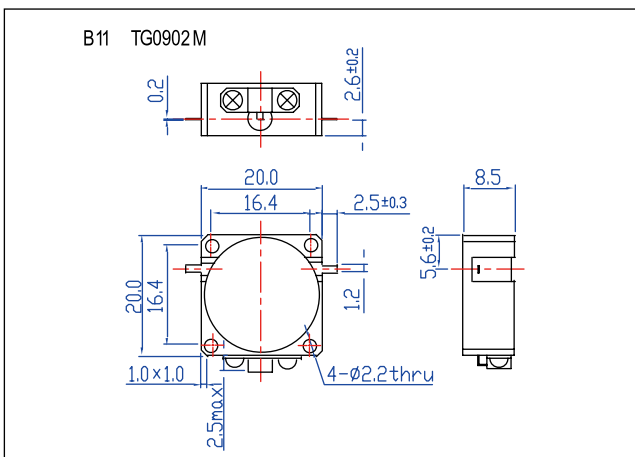
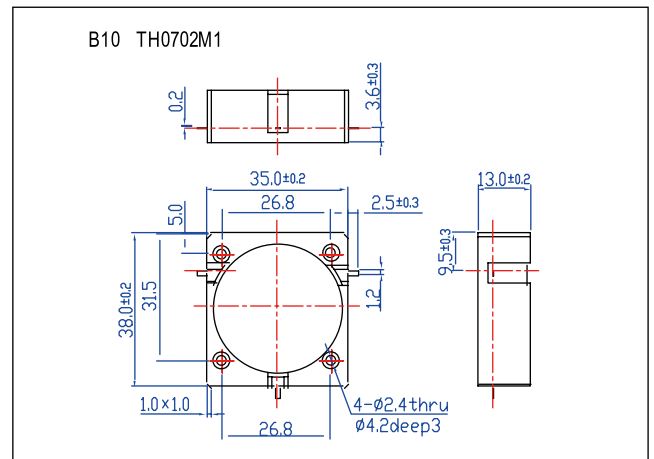
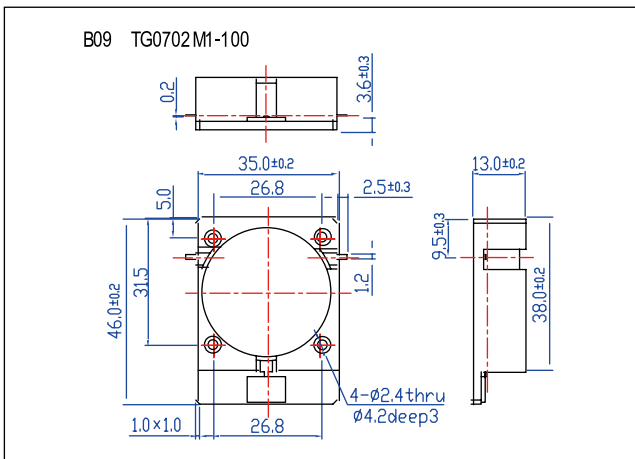
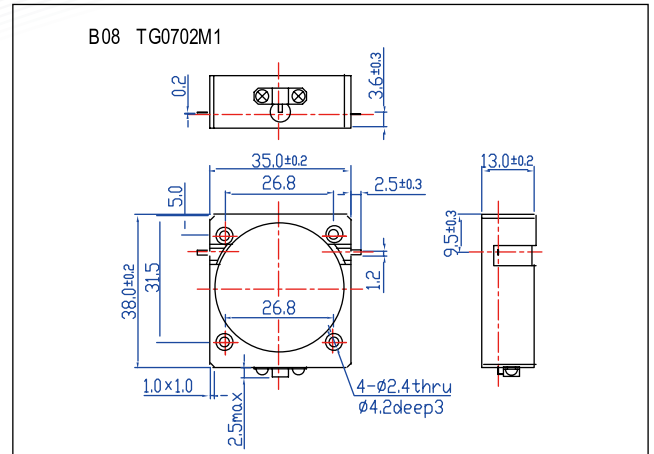
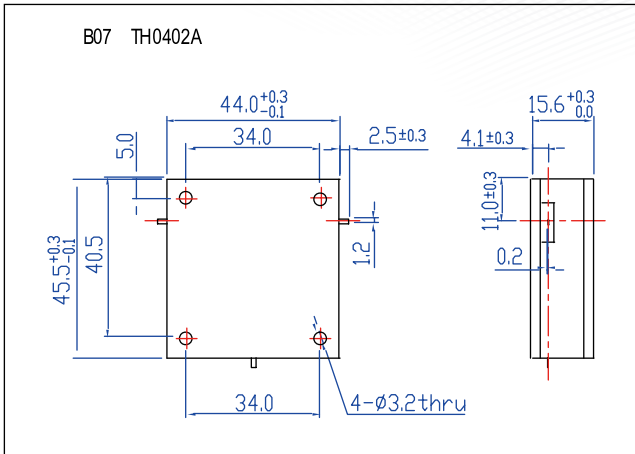
1/6 ▲

Outline Drawing	Part Number	Frequency Range (GHz)	Relative Bandwidth	Insertion Loss (dB Max)	Isolation (dB Min)	VSWR (Max)	Operating Temperature (°C)	Load Power (W)	Connector Type
B01	TG0102A	0.14-0.24	5%	0.6	18	1.3	0 ~ +60	100	TAB
B02	TH0102A	0.14-0.24	5%	0.6	18	1.3	0 ~ +60	/	TAB
B03	TG0102M-100	0.20-0.40	10%	0.5	18	1.3	0 ~ +60	100	TAB
B04	TH0102M	0.20-0.40	10%	0.5	18	1.3	0 ~ +60	/	TAB
B05	TG0402A	0.35-0.55	10%	0.4	20	1.25	-15 ~ +60	10	TAB
B06	TG0402-100	0.35-0.55	10%	0.4	20	1.25	-15 ~ +60	100	TAB
B07	TH0402A	0.35-0.55	10%	0.4	20	1.25	-15 ~ +60	/	TAB
B08	TG0702M1	0.5-1.0	10%	0.4	23	1.2	-30 ~ +70	10	TAB
B09	TG0702M1-100	0.5-1.0	10%	0.4	23	1.2	-30 ~ +70	100	TAB
B10	TH0702M1	0.5-1.0	10%	0.4	23	1.2	-30 ~ +70	/	TAB
B11	TG0902M	0.8-2.2	5%	0.4	23	1.2	-40 ~ +85	10	TAB
B12	TG0902M-100	0.8-2.2	5%	0.4	23	1.2	-40 ~ +85	100	TAB
B13	TH0902M	0.8-2.2	5%	0.4	23	1.2	-40 ~ +85	/	TAB
B14	TG102M-10	0.8-2.2	10%	0.3	23	1.2	-40 ~ +85	10	TAB
B15	TH102M-10	0.8-2.2	10%	0.3	23	1.2	-40 ~ +85	/	TAB
B16	TG102M6	0.8-2.2	10%	0.3	23	1.2	-40 ~ +85	100	TAB
B17	TH102M6	0.8-2.2	10%	0.3	23	1.2	-40 ~ +85	/	TAB
B18	TG102M3-10	1.2-3.8	5%	0.4	23	1.2	-40 ~ +85	10	TAB
B19	TG102M3-100	1.2-3.8	5%	0.4	23	1.2	-40 ~ +85	100	TAB
B20	TH102M3-100	1.2-3.8	5%	0.4	23	1.2	-40 ~ +85	/	TAB
B21	TG302C2	3.0-7.0	5%	0.4	20	1.25	-40 ~ +70	5	TAB
B22	TH302C2	3.0-7.0	5%	0.4	20	1.25	-40 ~ +70	/	TAB
B23	TG402A	3.5-8.0	10%	0.4	23	1.2	-40 ~ +70	10	TAB
B24	TH402A	3.5-8.0	10%	0.4	23	1.2	-40 ~ +70	/	TAB
B25	TG1002E	7-18	10%	0.4	20	1.25	-40 ~ +70	5	TAB
B26	TH1002C2	7-18	10%	0.4	20	1.25	-40 ~ +70	/	TAB
B27	TG2002	18-24.5	10%	0.6	18	1.35	-40 ~ +70	2	TAB
B28	TH2002	18-24.5	10%	0.6	18	1.35	-40 ~ +70	/	TAB

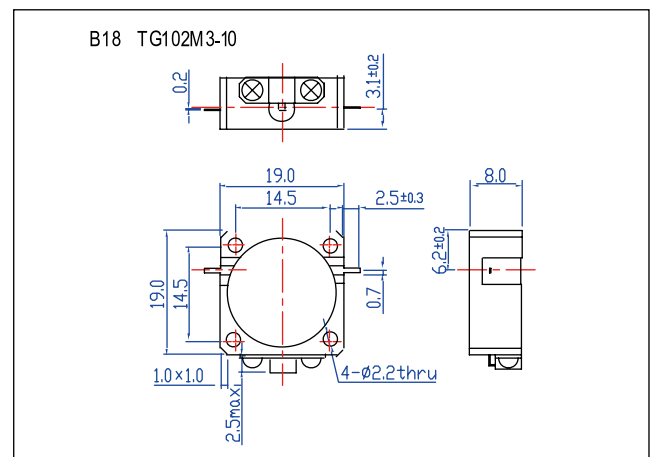
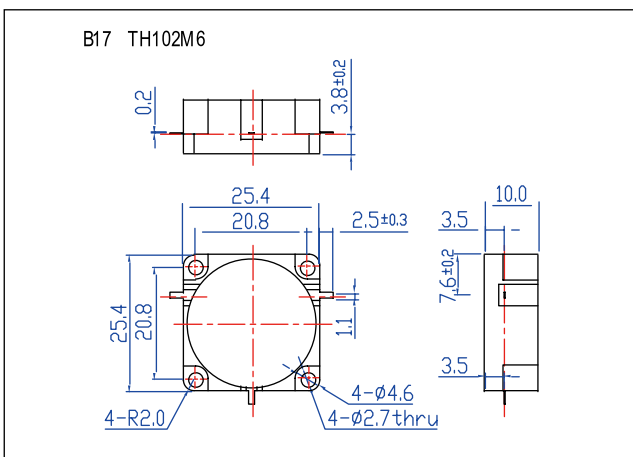
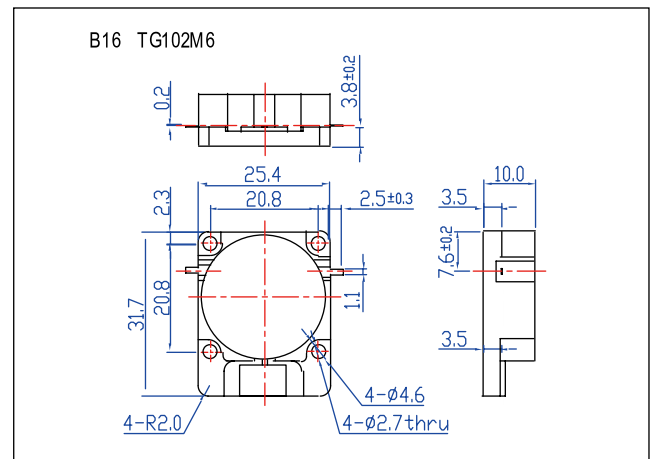
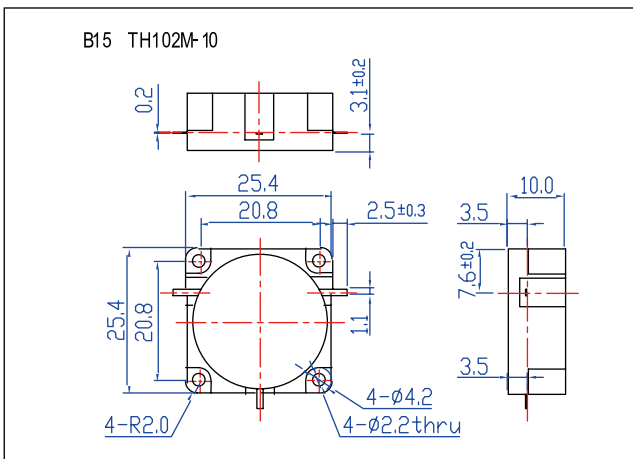
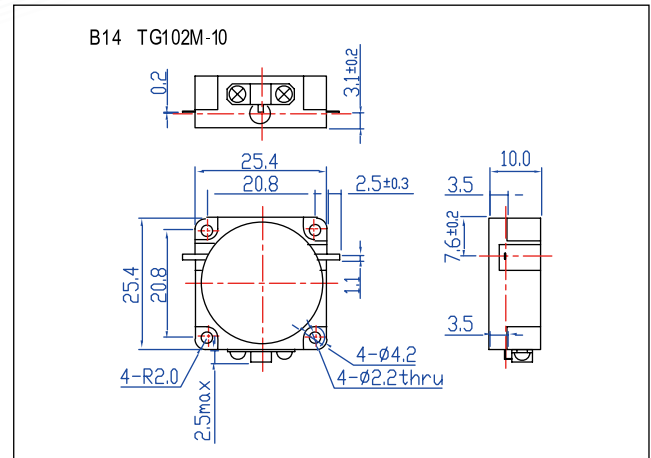
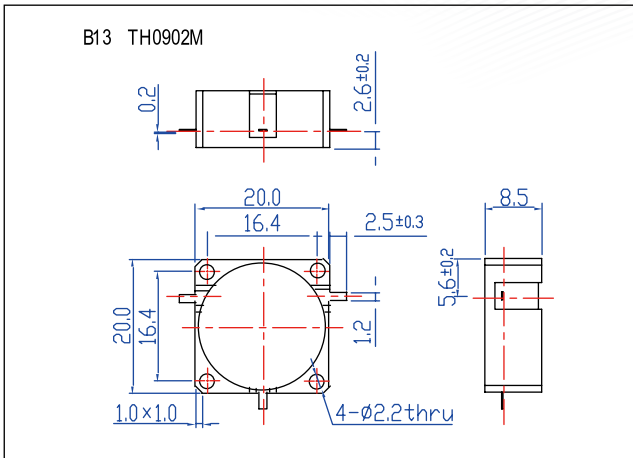
Note All the specifications above are at room temperature (25 °C±5 °C)



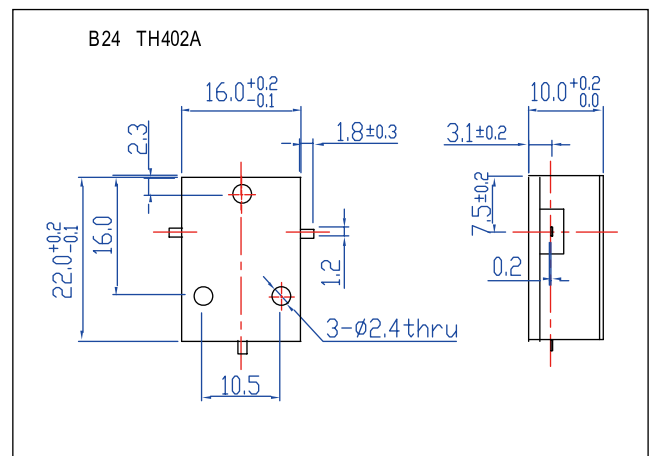
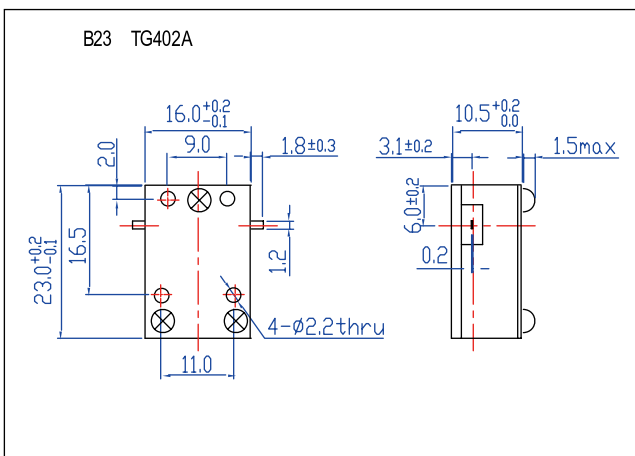
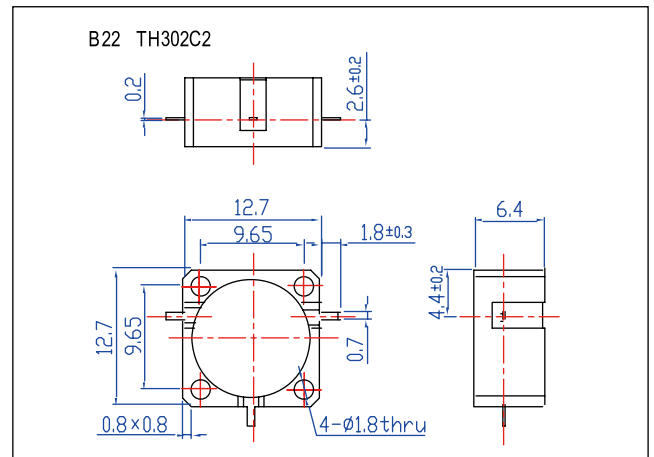
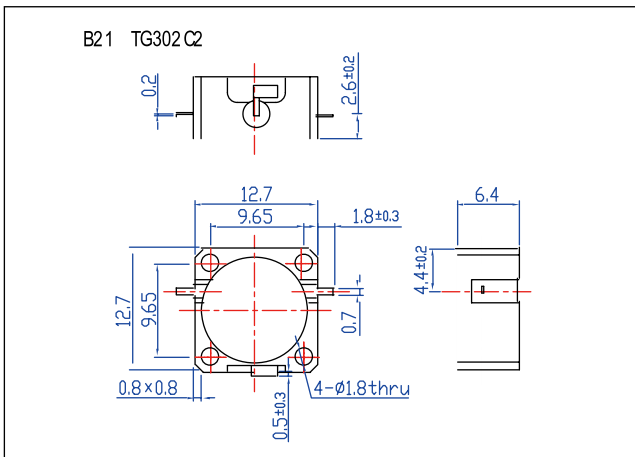
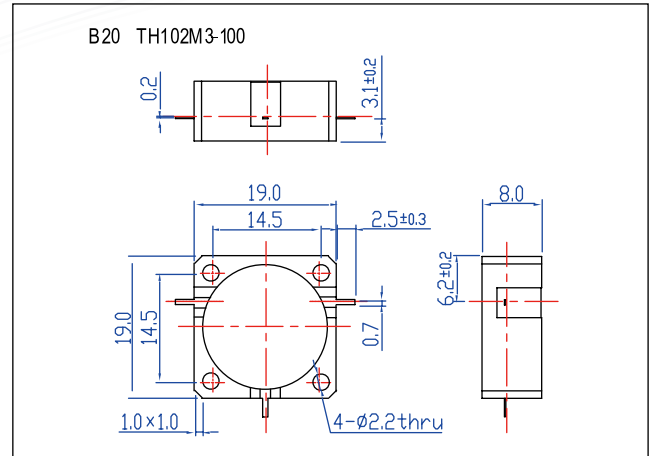
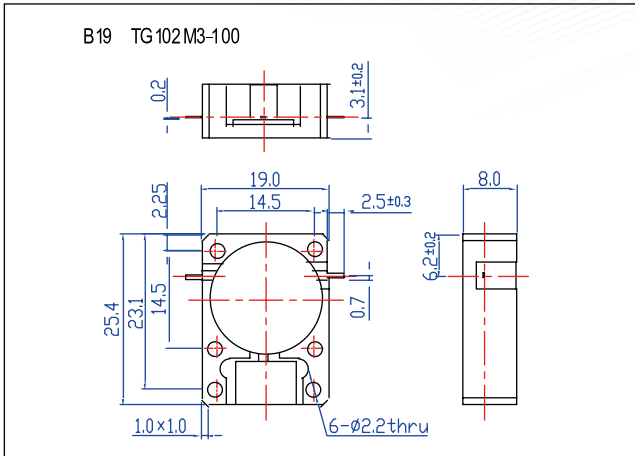
Note All dimensions are in mm



Note: All dimensions are in mm



Note All dimensions are in mm



Note All dimensions are in mm

