



High Power Series

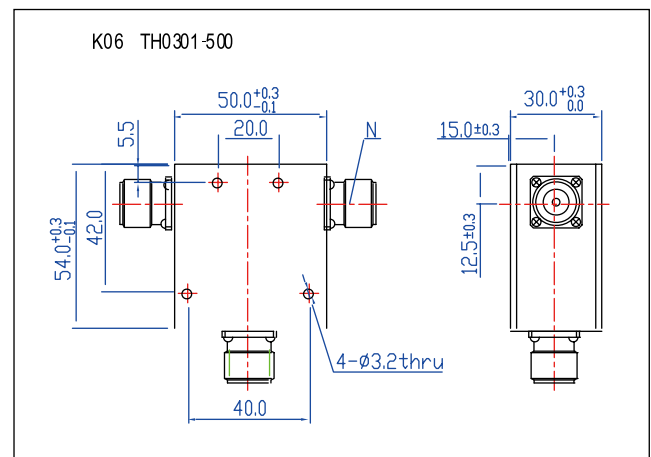
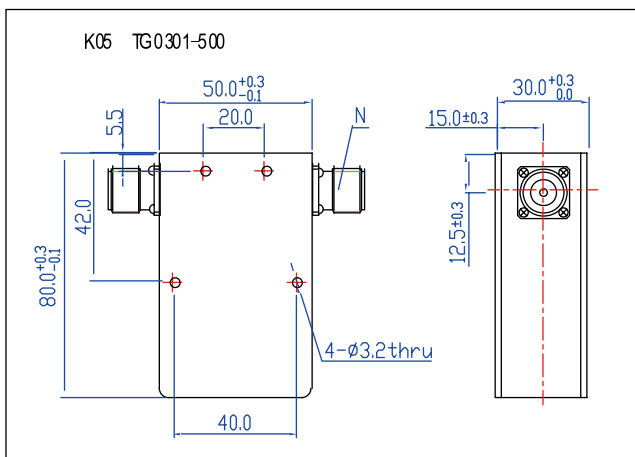
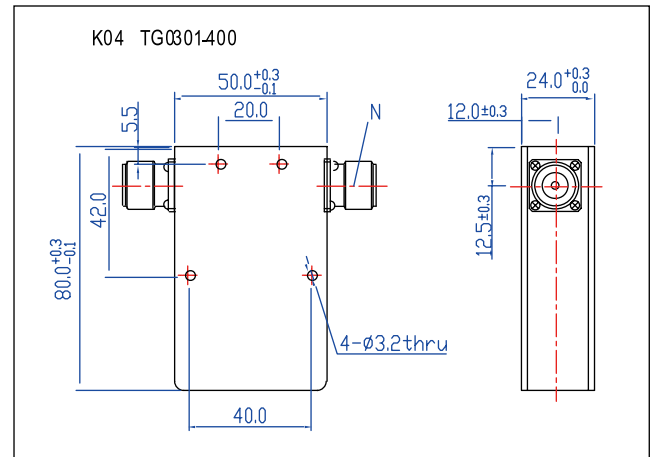
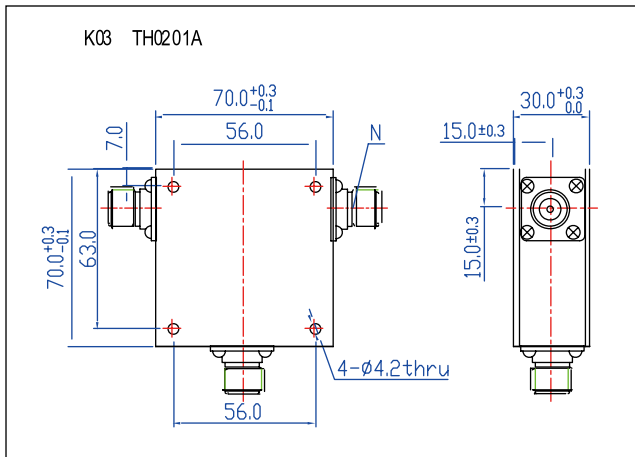
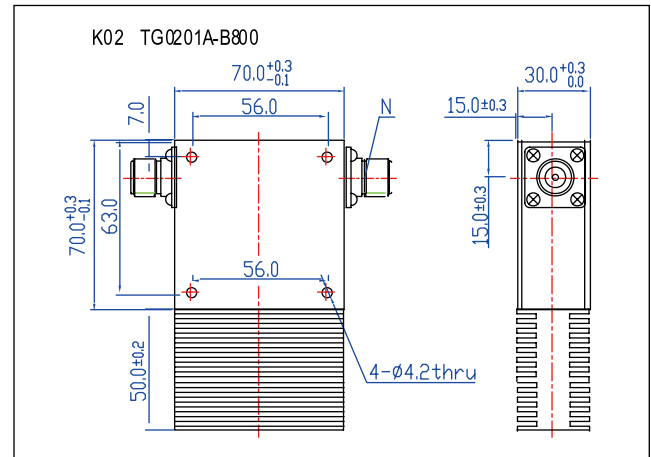
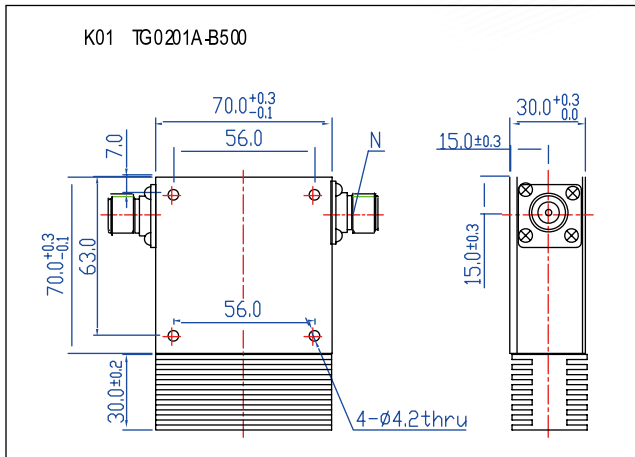
同轴大功率系列

| Outline Drawing 外形图 | Part Number 产品型号 | Frequency Range (GHz) 适用频率 | Insertion Loss (dB Max) 正向损耗 | Isolation (dB Min) 反向隔离 | VSWR (Max) 驻波系数 | Operating Temperature (C) 工作温度 | Peak Power (W) 峰值功率 | Duty Cycle 占空比 | Load Power (W) 负载功率 | Connector Type 连接方式 |
|------------------------|---------------------|----------------------------------|------------------------------------|-------------------------------|-----------------------|--------------------------------------|---------------------------|-------------------|---------------------------|------------------------|
| K01 | TG0201A-B500 | 0.26-0.30 | 0.4 | 20 | 1.25 | -30 ~ +70 | 1600 | 30% | 500 | N |
| K02 | TG0201A-B800 | 0.26-0.30 | 0.4 | 20 | 1.25 | -30 ~ +70 | 2500 | 30% | 800 | N |
| K03 | TH0201A | 0.26-0.30 | 0.4 | 20 | 1.25 | -30 ~ +70 | 2500 | 30% | / | N |
| K04 | TG0301-400 | 0.32-0.36 | 0.4 | 20 | 1.25 | -30 ~ +70 | 1200 | 30% | 500 | N |
| K05 | TG0301-500 | 0.32-0.36 | 0.4 | 20 | 1.25 | -30 ~ +70 | 1600 | 30% | 500 | N |
| K06 | TH0301-500 | 0.32-0.36 | 0.4 | 20 | 1.25 | -30 ~ +70 | 1600 | 30% | / | N |
| K07 | TH101-400 | 2.0-2.2 | 0.6 | 18 | 1.35 | -30 ~ +70 | 1600 | 30% | / | N |
| K07 | TH101-400 | 2.2-2.5 | 0.6 | 18 | 1.35 | -30 ~ +70 | 1600 | 30% | / | N |

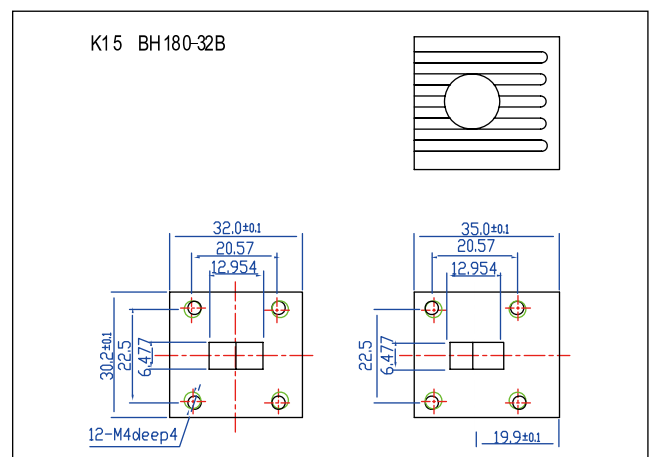
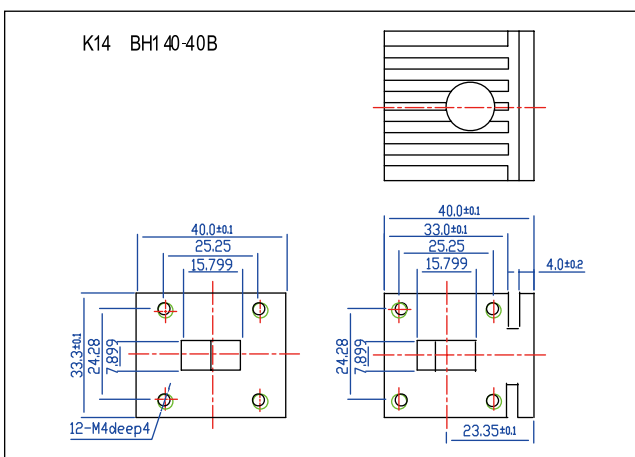
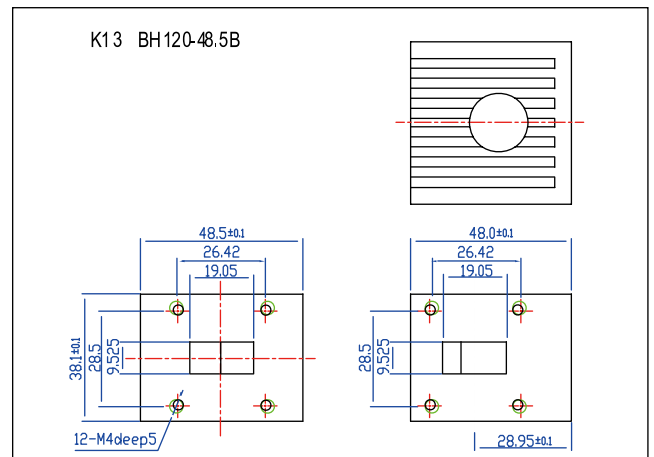
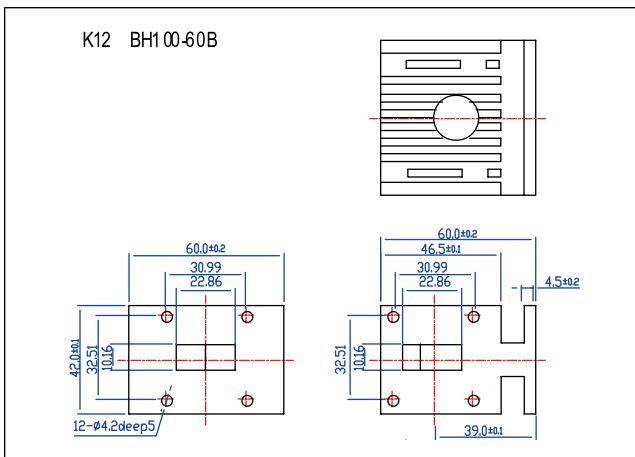
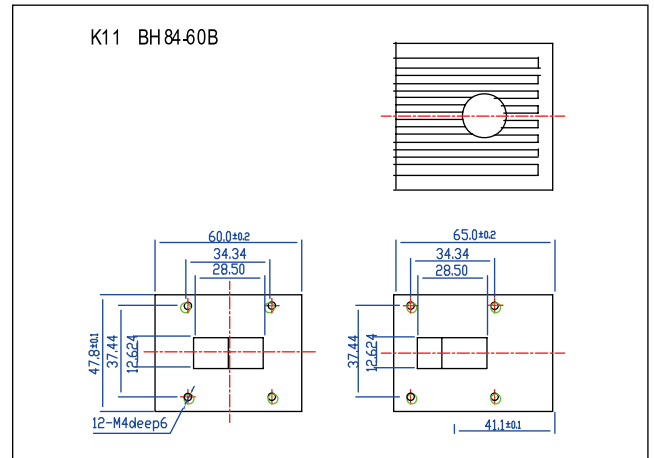
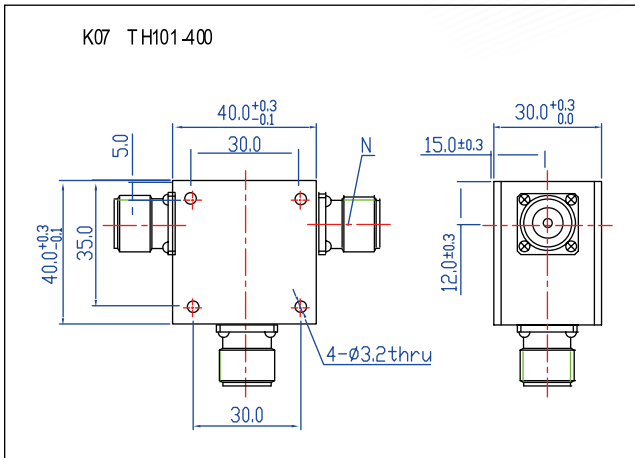
波导大功率系列

| Outline Drawing 外形图 | Part Number 产品型号 | Frequency Range (GHz) 适用频率 | Relative Bandwidth 相对带宽 | Insertion Loss (dB Max) 正向损耗 | Isolation (dB Min) 反向隔离 | VSWR (Max) 驻波系数 | Operating Temperature (C) 工作温度 | Peak Power (W) 峰值功率 | Duty Cycle 占空比 | Wave guide Type 波导型号 |
|------------------------|---------------------|----------------------------------|----------------------------|------------------------------------|-------------------------------|-----------------------|--------------------------------------|---------------------------|-------------------|-------------------------|
| K11 | BH84-60B | 6.58-10.0 | 10% | 0.3 | 20 | 1.2 | -40 ~ +85 | 3500 | 10% | WR112 |
| K12 | BH100-60B | 8.20-12.5 | 10% | 0.3 | 20 | 1.2 | -40 ~ +85 | 3000 | 10% | WR90 |
| K13 | BH120-48.5B | 9.48-15.0 | 8% | 0.3 | 20 | 1.2 | -40 ~ +85 | 1000 | 10% | WR75 |
| K14 | BH140-40B | 11.9-18.0 | 6% | 0.3 | 20 | 1.2 | -40 ~ +85 | 1000 | 10% | WR62 |
| K15 | BH180-32B | 14.5-22.0 | 5% | 0.3 | 20 | 1.2 | -40 ~ +85 | 1000 | 10% | WR51 |
| K16 | BH220-24B | 17.6-26.7 | 5% | 0.3 | 20 | 1.2 | -40 ~ +85 | 500 | 10% | WR42 |
| K17 | BH260-22.3B | 21.7-33.0 | 3% | 0.3 | 20 | 1.2 | -40 ~ +85 | 500 | 10% | WR34 |
| K18 | BH320-25.4B1 | 26.4-40.1 | 3% | 0.3 | 20 | 1.2 | -40 ~ +85 | 500 | 10% | WR28 |

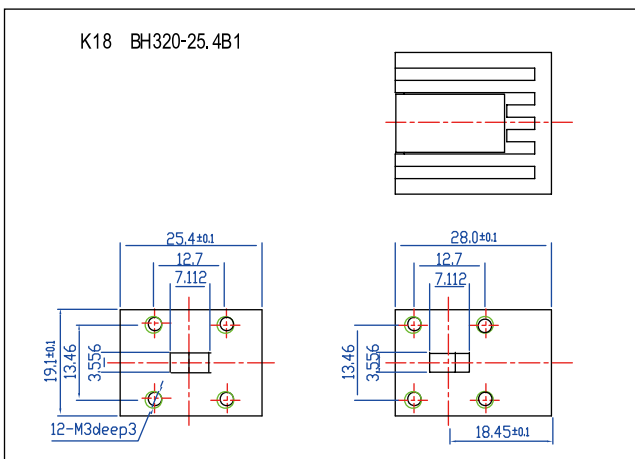
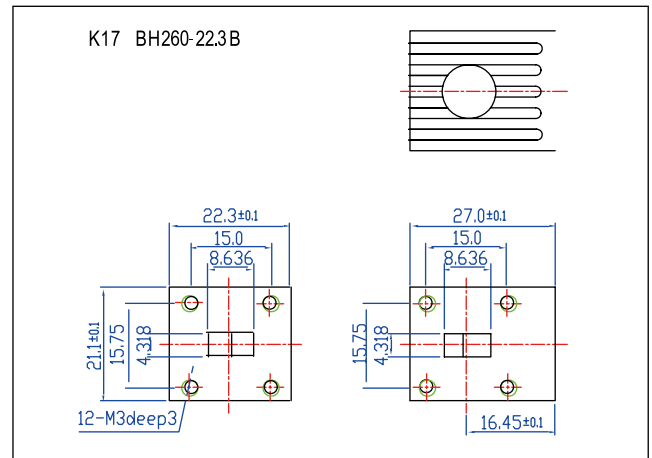
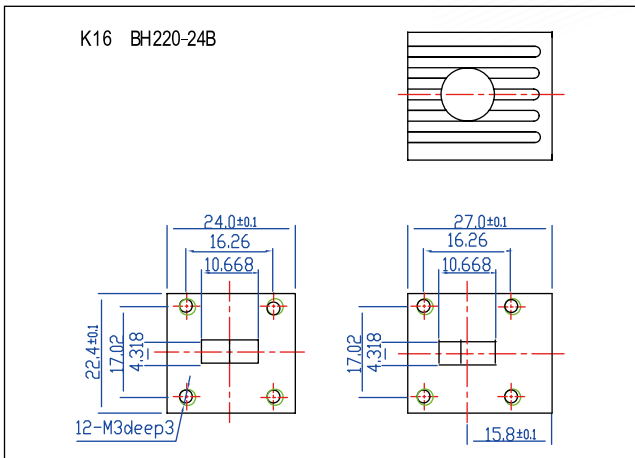
Note All the specifications above are at room temperature(25 C±5 C)



Note All dimensions are in mm



Note All dimensions are in mm



Note: All dimensions are in mm