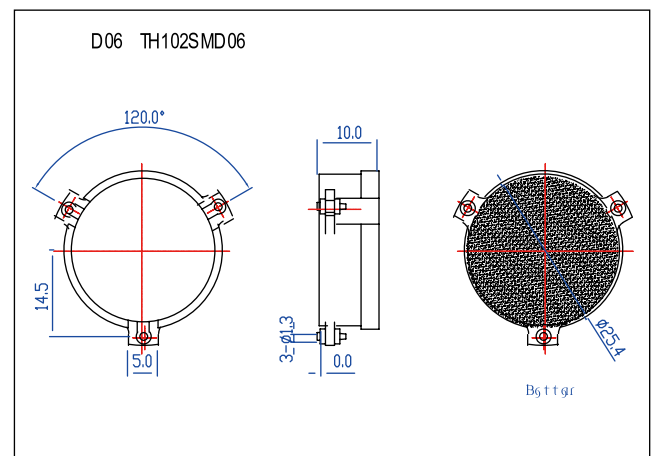
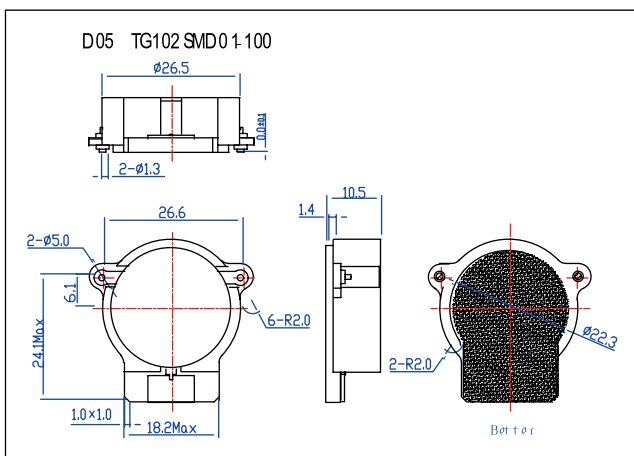
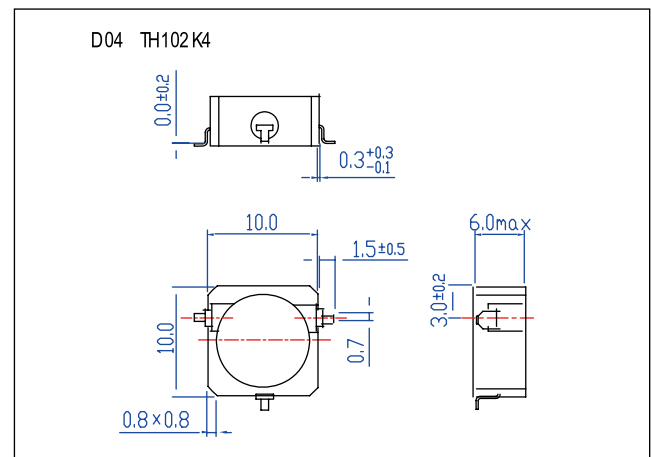
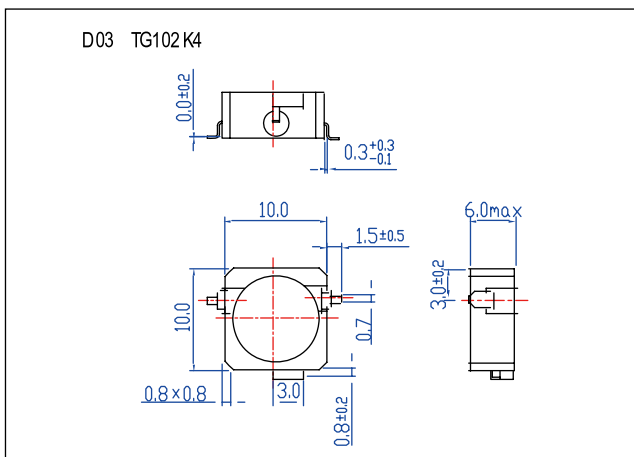
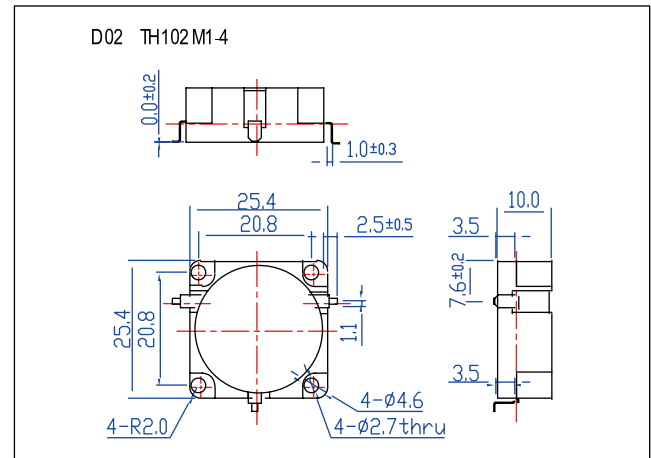
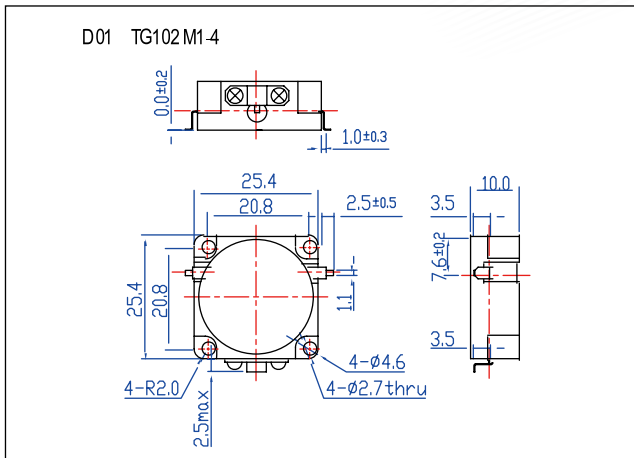




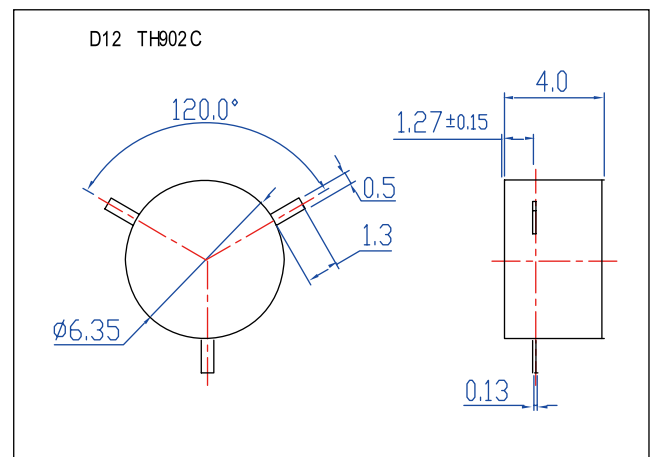
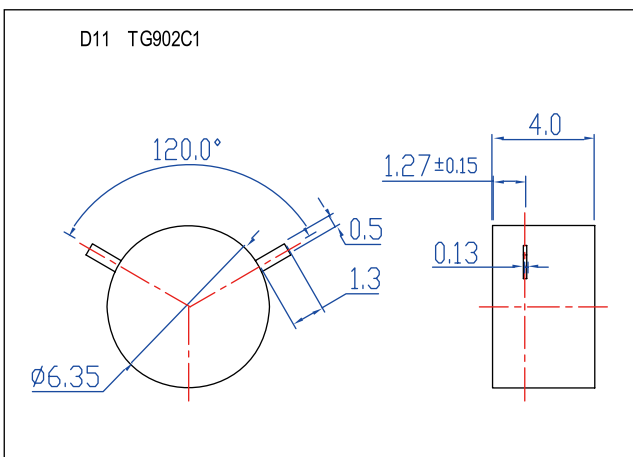
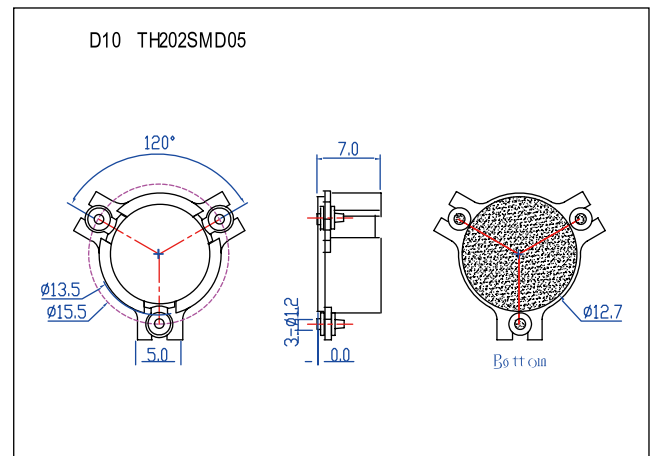
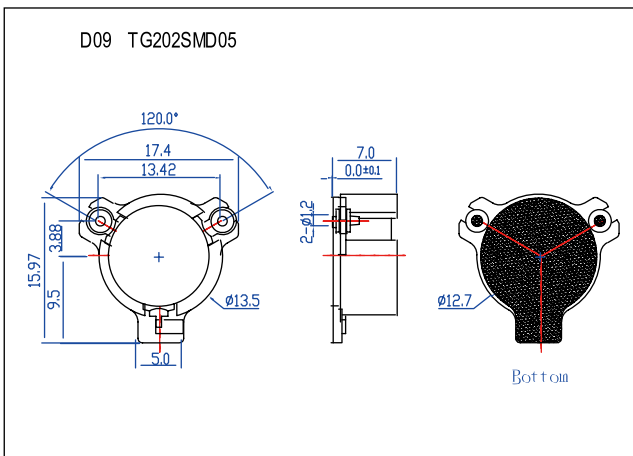
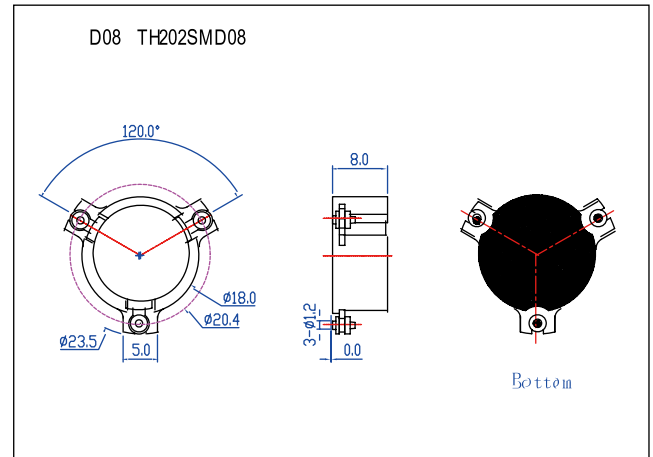
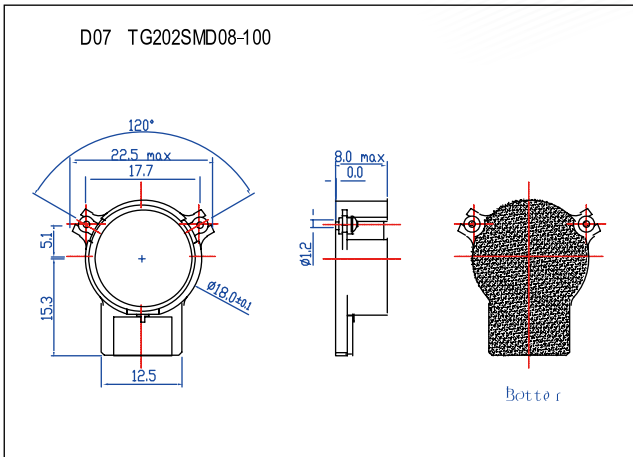
SMD Series

Outline Drawing	Part Number	Frequency Range (GHz)	Relative Bandwidth	Insertion Loss (dB Max)	Isolation (dB Min)	VSWR (Max)	Operating Temperature (°C)	Load Power (W)	Connector Type
D01	TG102M1-4	0.35-0.5	5%	0.7	18	1.3	-40 ~ +85	10	SMD
D01	TG102M1-4	0.5-1.0	5%	0.5	23	1.2	-40 ~ +85	10W	SMD
D02	TH102M1-4	0.35-0.5	5%	0.7	18	1.3	-40 +85	/	SMD
D02	TH102M1-4	0.5-1.0	5%	0.5	23	1.2	-40 ~ +85	/	SMD
D03	TG102K4	1.5-2.2	1%	0.4	20	1.25	-40 ~ +85	5	SMD
D04	TH102K4	1.5-2.2	1%	0.4	20	1.25	-40 ~ +85	/	SMD
D05	TG102SMD01-100	0.8-2.2	10%	0.3	23	1.2	-40 ~ +85	100	SMD
D06	TH102SMD06	0.8-2.2	10%	0.3	23	1.2	-40 ~ +85	/	SMD
D07	TG202SMD08-100	1.2-3.8	5%	0.4	23	1.2	-40 ~ +85	100	SMD
D08	TH202SMD08	1.2-3.8	5%	0.4	23	1.2	-40 +85	/	SMD
D09	TG202SMD05	1.8-2.7	5%	0.4	20	1.25	-40 ~ +85	10	SMD
D10	TH202SMD05	1.8-2.7	5%	0.4	20	1.25	-40 +85	/	SMD
D11	TG902C1	9-11	10%	0.5	20	1.25	-15 ~ +60	0.5	SMD
D12	TH902C	9-11	10%	0.5	20	1.25	-15 ~ +60	/	SMD

Note All the specifications above are at room temperature (25 °C ± 5 °C)



Note All dimensions are in mm



Note: All dimensions are in mm