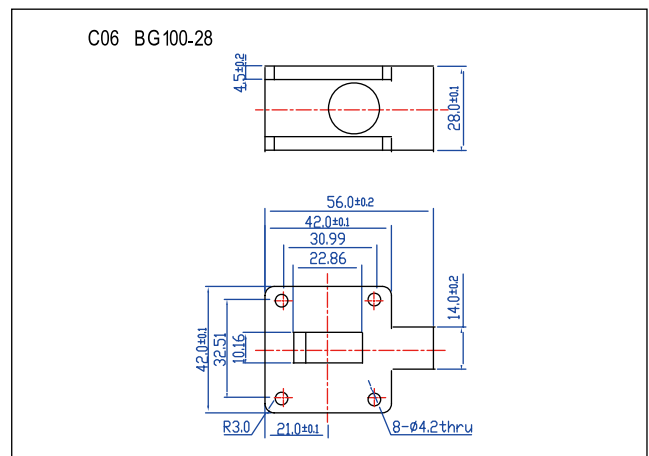
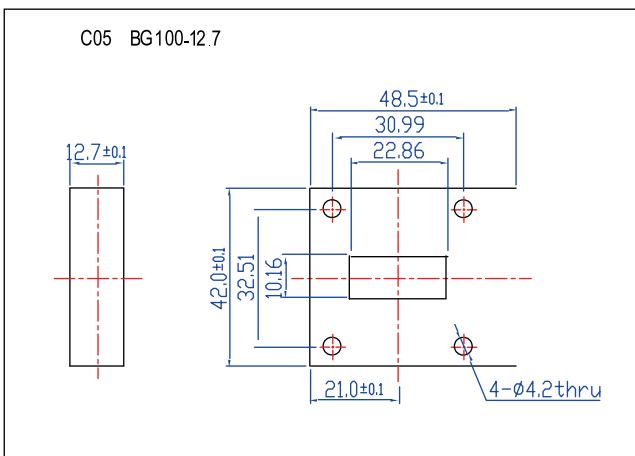
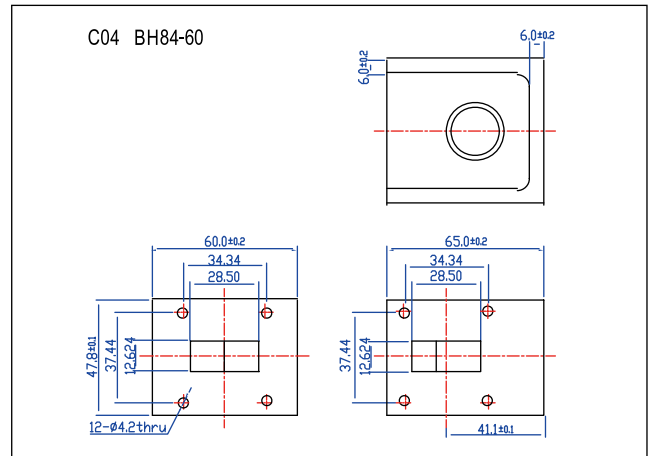
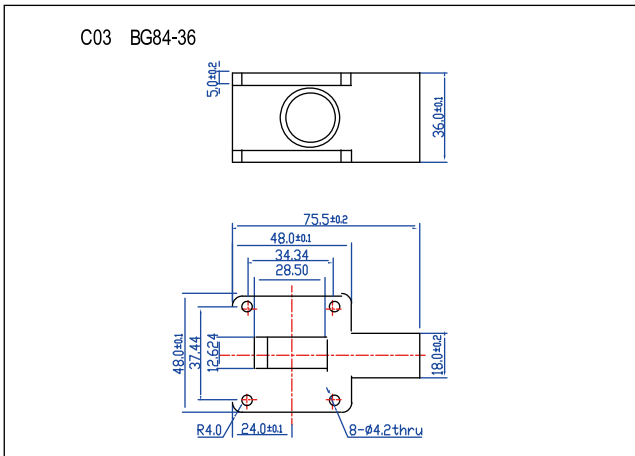
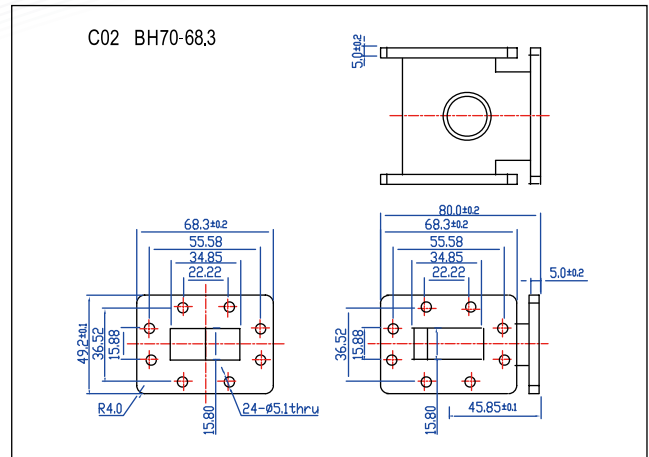
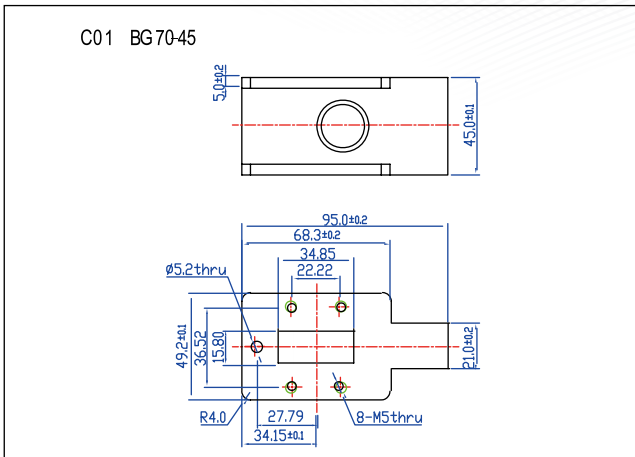




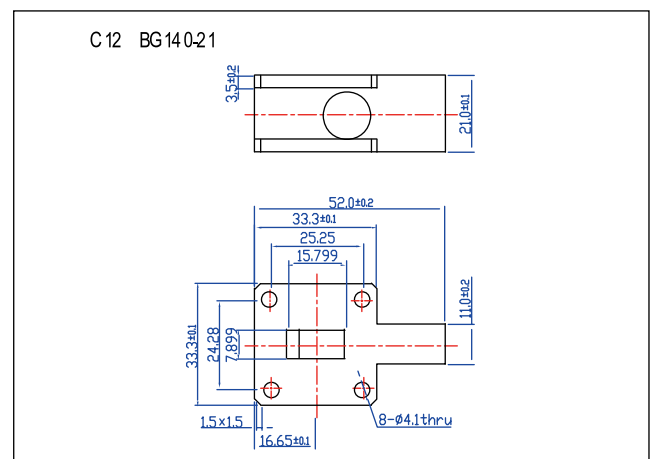
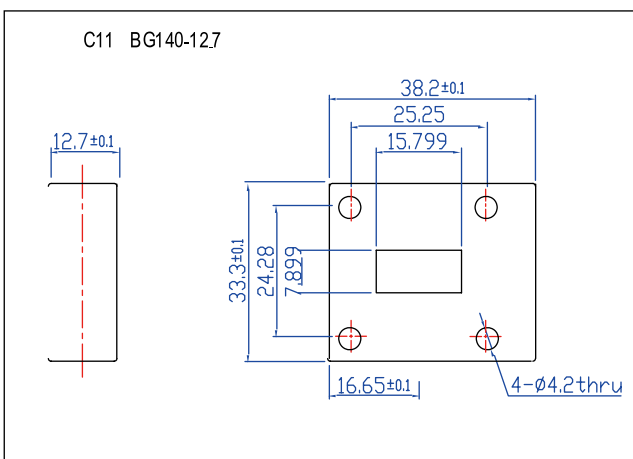
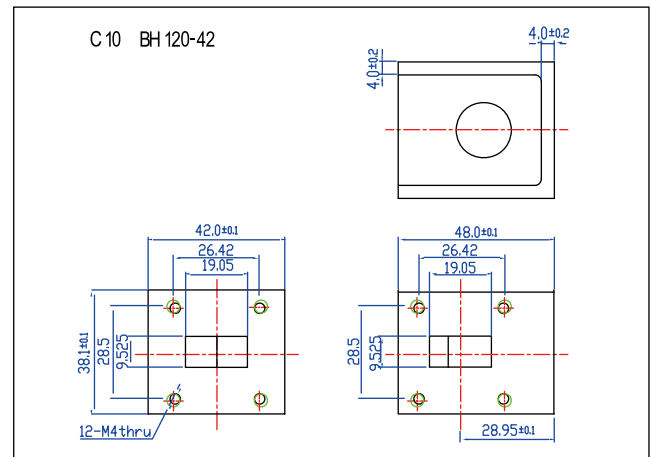
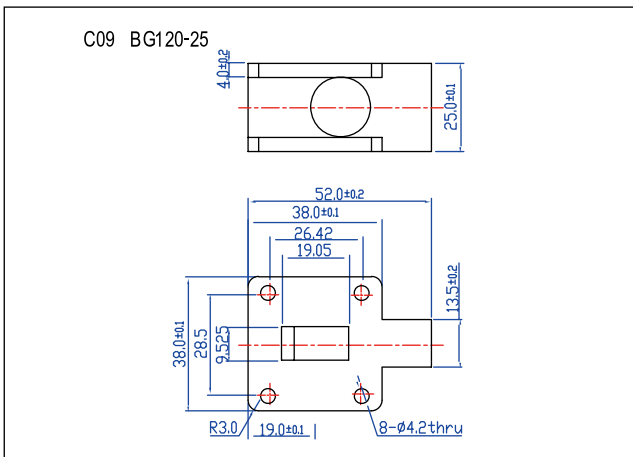
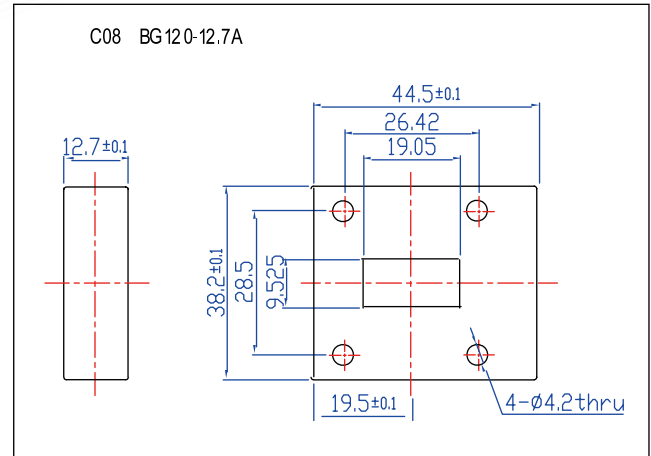
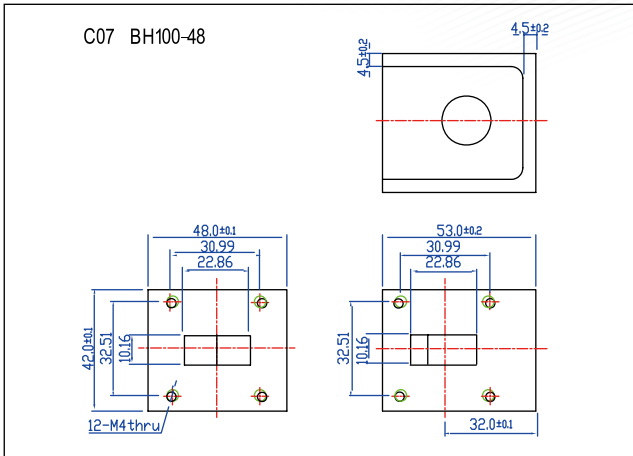
Waveguide Series

Outline Drawing	Part Number	Frequency Range (GHz)	Relative Bandwidth	Insertion Loss (dB Max)	Isolation (dB Min)	VSWR (Max)	Operating Temperature (°C)	Connector Type
C01	BG70-45	5.38-8.18	10%	0.3	23	1.2	-40 ~ +85	WR137
C02	BH70-68.3	5.38-8.18	10%	0.3	23	1.2	-40 ~ +85	WR137
C03	BG84-36	6.58-10.0	10%	0.3	23	1.2	-40 ~ +85	WR112
C04	BH84-60	6.58-10.0	10%	0.3	23	1.2	-40 ~ +85	WR112
C05	BG100-12.7	8.20-12.5	3%	0.3	25	1.2	-40 ~ +85	WR90
C06	BG100-28	8.20-12.5	10%	0.3	23	1.2	-40 ~ +85	WR90
C07	BH100-48	8.20-12.5	10%	0.3	23	1.2	-40 ~ +85	WR90
C08	BG120-12.7A	9.48-15.0	5%	0.3	20	1.2	-40 ~ +85	WR75
C09	BG120-25	9.48-15.0	10%	0.3	23	1.2	-40 ~ +85	WR75
C10	BH120-42	9.48-15.0	10%	0.3	23	1.2	-40 ~ +85	WR75
C11	BG140-12.7	11.9-18.0	5%	0.3	23	1.2	-40 ~ +85	WR62
C12	BG140-21	11.9-18.0	10%	0.3	23	1.2	-40 ~ +85	WR62
C13	BH140-40	11.9-18.0	10%	0.3	23	1.2	-40 ~ +85	WR62
C14	BG180-15A	14.5-22.0	10%	0.3	20	1.2	-40 ~ +85	WR51
C15	BH180-32	14.5-22.0	10%	0.3	20	1.2	-40 ~ +85	WR51
C16	BG220-9.5	17.6-26.7	10%	0.4	18	1.3	-40 ~ +85	WR42
C17	BG220-12.7	17.6-26.7	10%	0.4	20	1.2	-40 ~ +85	WR42
C18	BH220-24	17.6-26.7	10%	0.4	20	1.2	-40 ~ +85	WR42
C19	BG260-12.7	21.7-33.0	8%	0.4	20	1.2	-40 ~ +85	WR34
C20	BH260-22.3	21.7-33.0	8%	0.4	20	1.2	-40 ~ +85	WR34
C21	BG320-10	26.4-40.1	5%	0.4	20	1.25	-40 ~ +85	WR28
C22	BG320-12.7L1	26.4-40.1	8%	0.4	20	1.25	-40 ~ +85	WR28
C23	BH320-10	26.4-40.1	5%	0.4	20	1.25	-40 ~ +85	WR28
C24	BH320-21	26.4-40.1	5%	0.4	20	1.25	-40 ~ +85	WR28
C25	BG400-10	33.0-50.1	5%	0.4	20	1.25	-40 ~ +85	WR22
C26	BH400-19	33.0-50.1	5%	0.4	20	1.25	-40 ~ +85	WR22
C27	BG500-10	39.3-59.7	4%	0.4	20	1.25	-40 ~ +85	WR19
C28	BH500-10	39.3-59.7	4%	0.4	20	1.25	-40 ~ +85	WR19
C29	BG740-19	60.5-92.0	1%	0.8	18	1.3	-40 ~ +85	WR12
C30	BH740-25.4	60.5-92.0	1%	0.8	18	1.3	-40 ~ +85	WR12
C31	BG900-10A	73.8-112	2%	1.0	18	1.3	-40 ~ +85	WR10
C32	BH900-10A	73.8-112	2%	1.0	18	1.3	-40 ~ +85	WR10

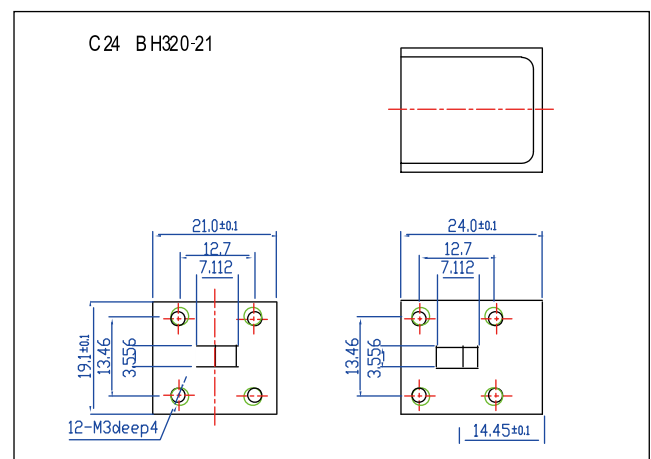
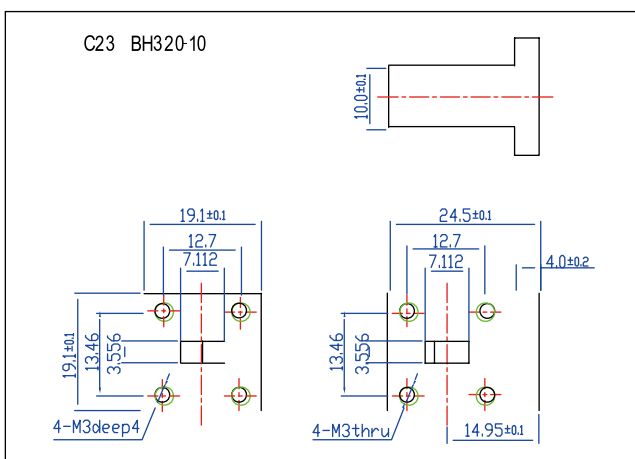
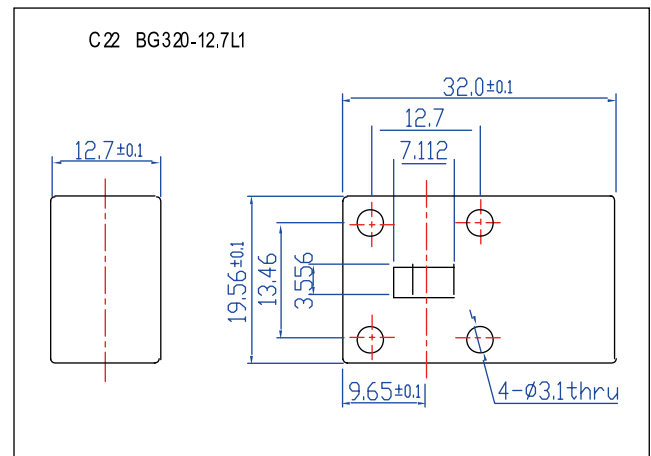
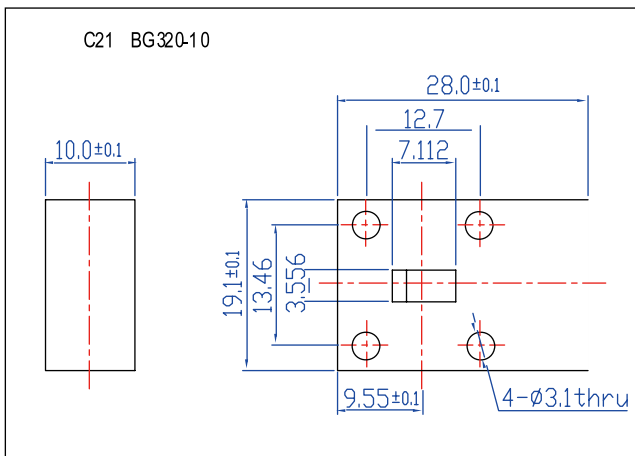
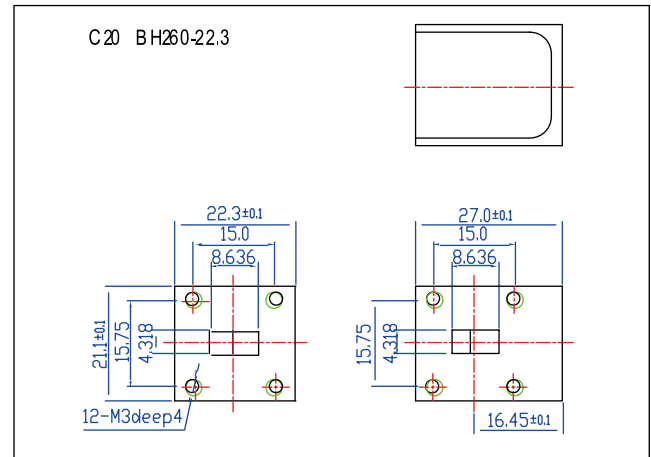
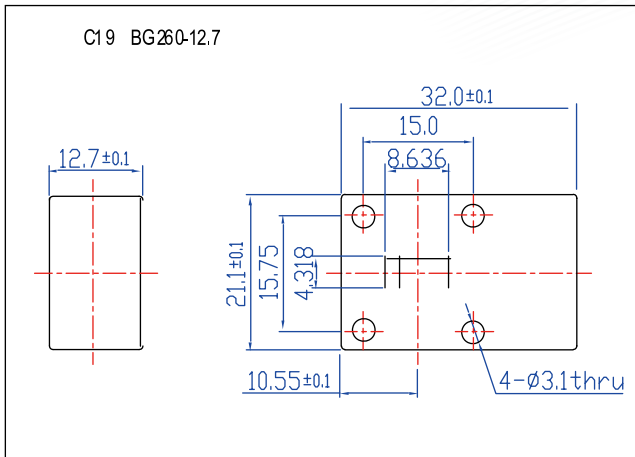
Note: All the specifications above are at room temperature (25 °C±5 °C)



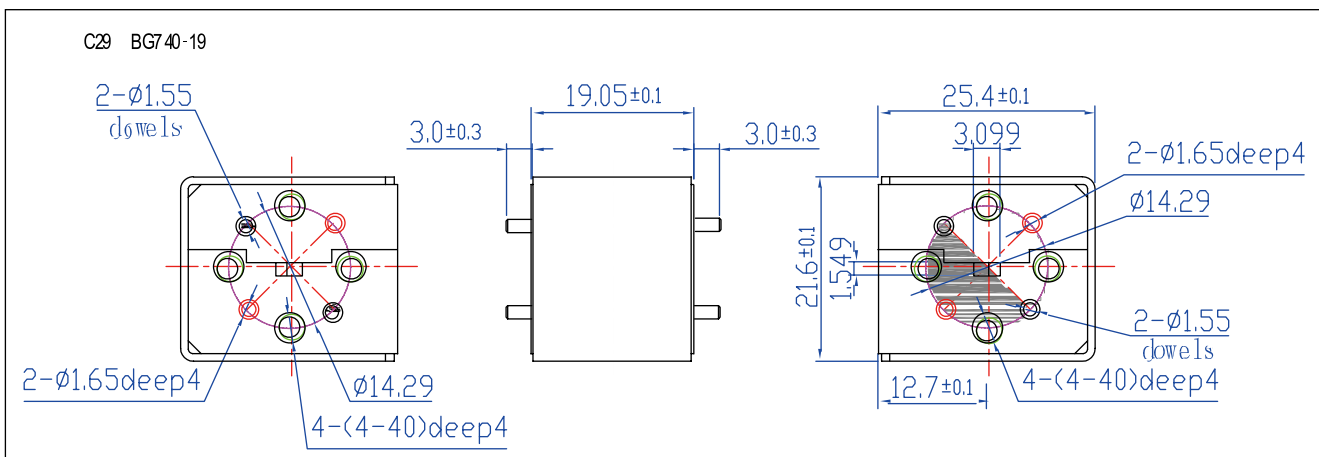
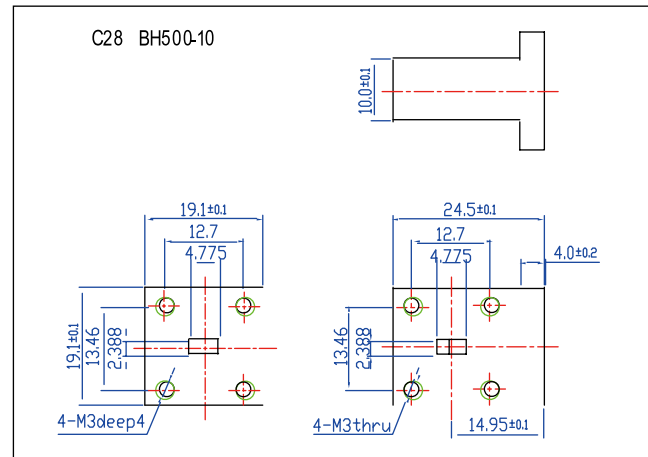
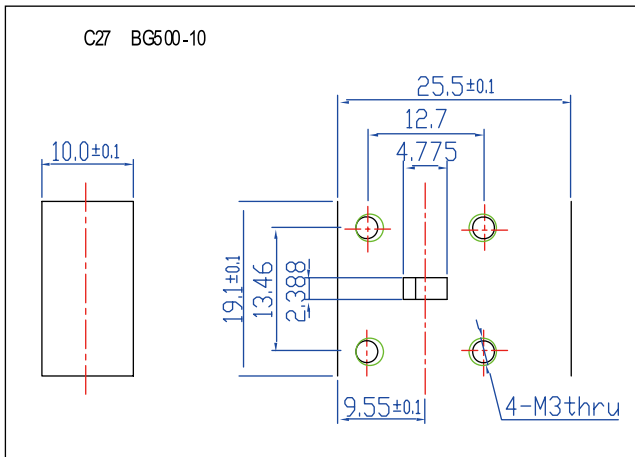
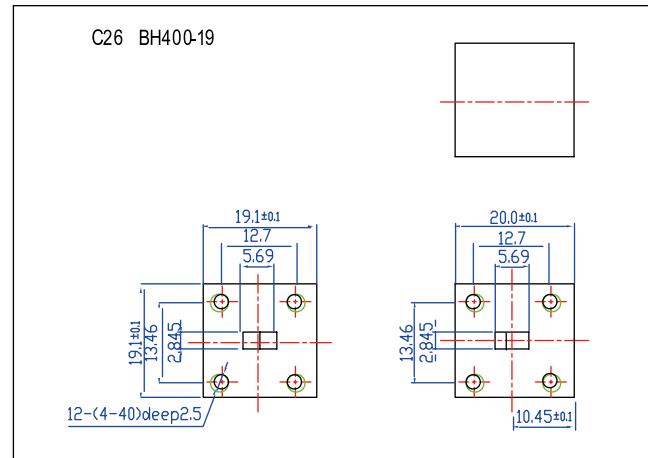
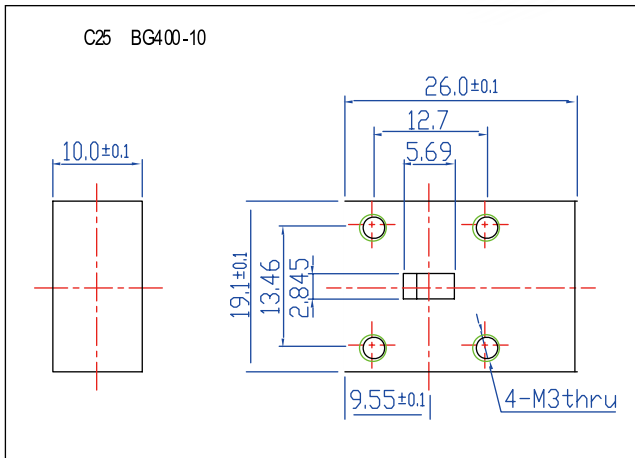
Note All dimensions are in mm



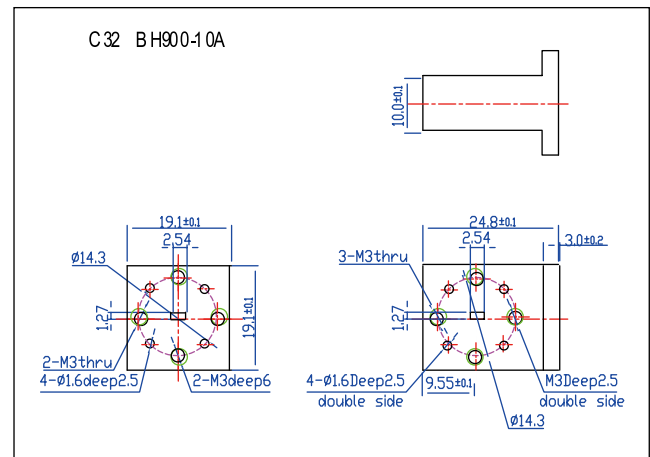
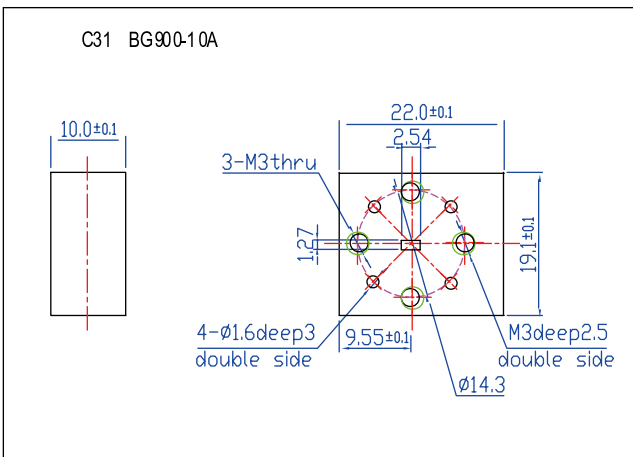
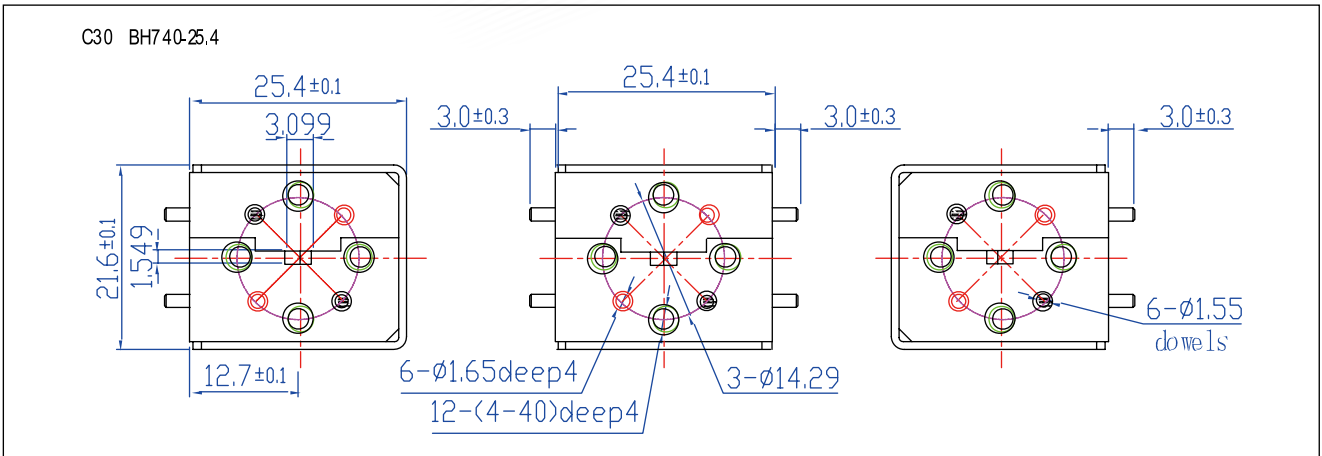
Note: All dimensions are in mm



Note All dimensions are in mm



Note All dimensions are in mm



Note All dimensions are in mm