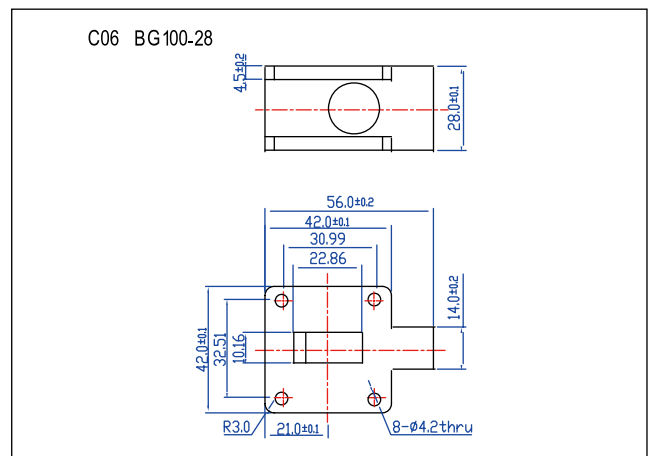
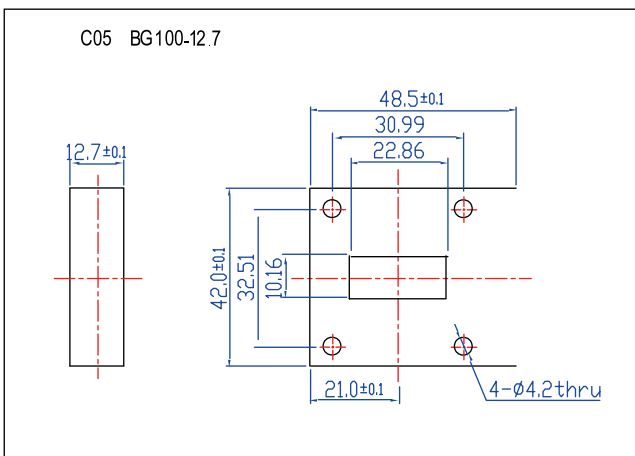
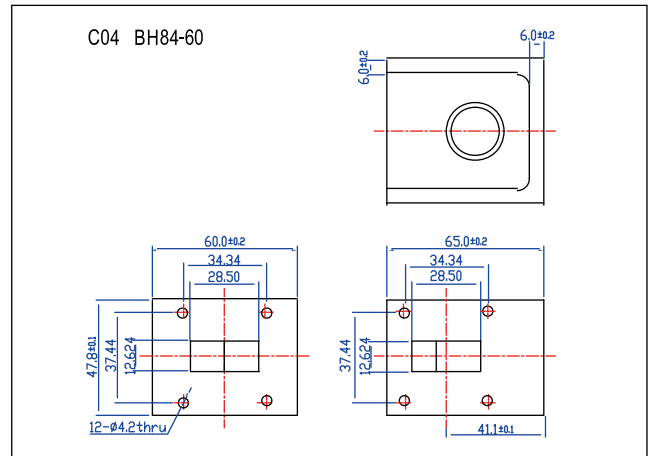
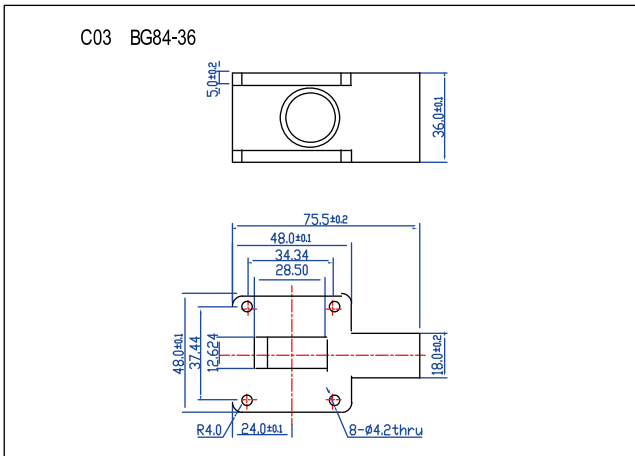
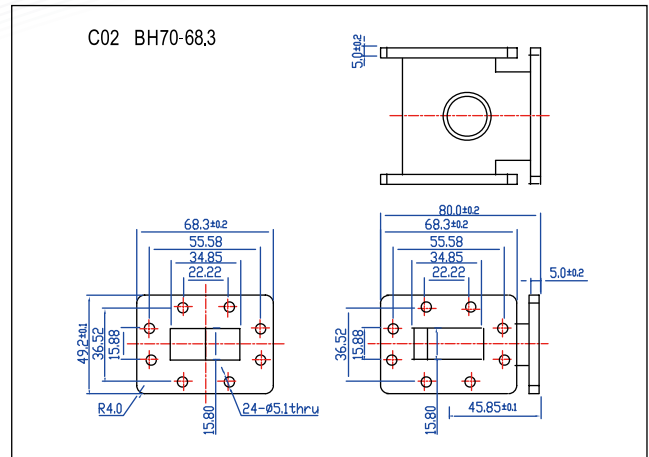
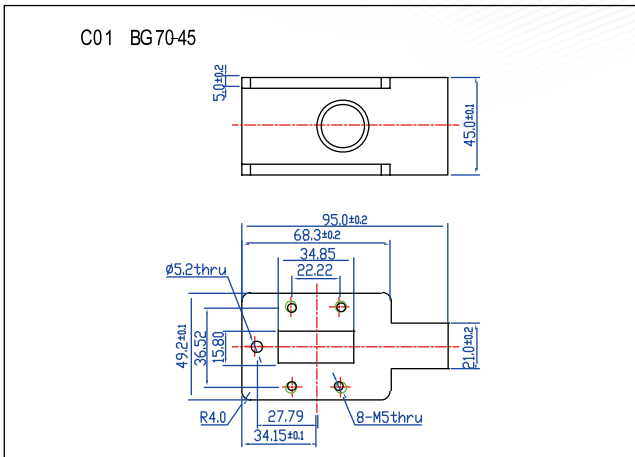




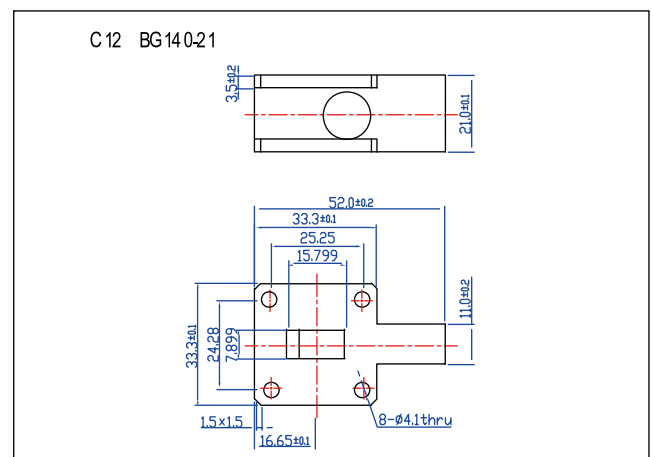
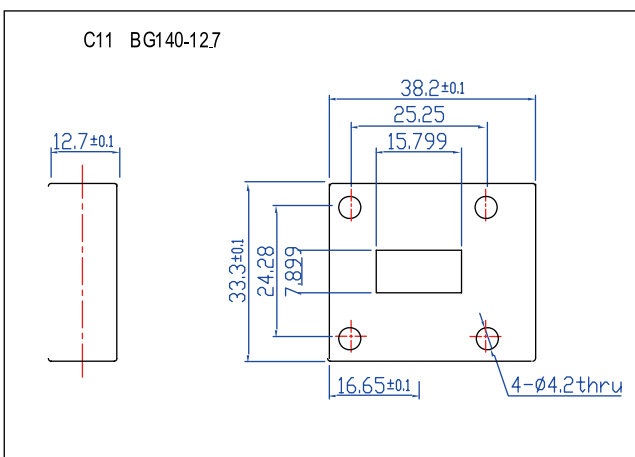
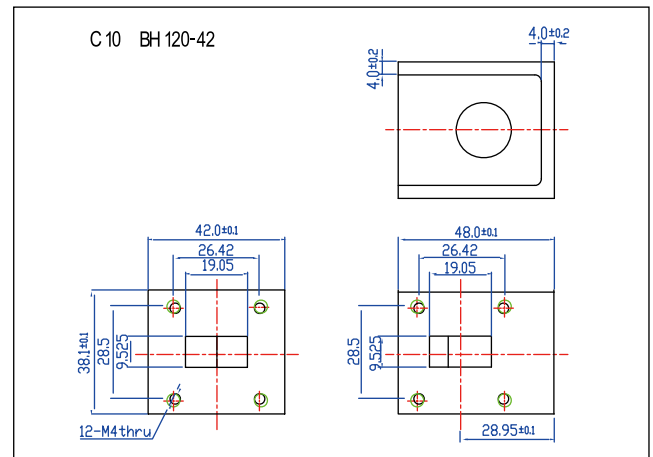
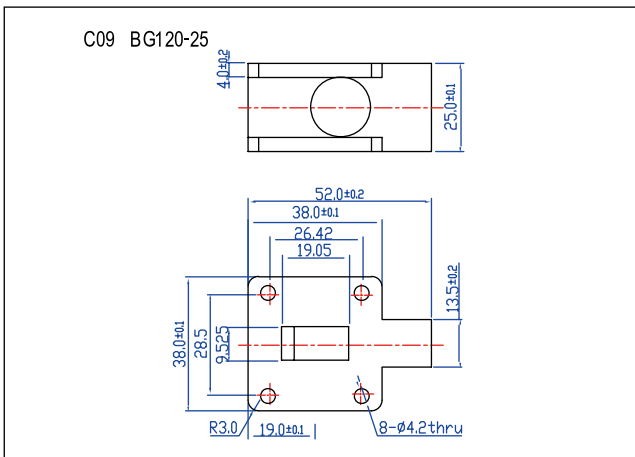
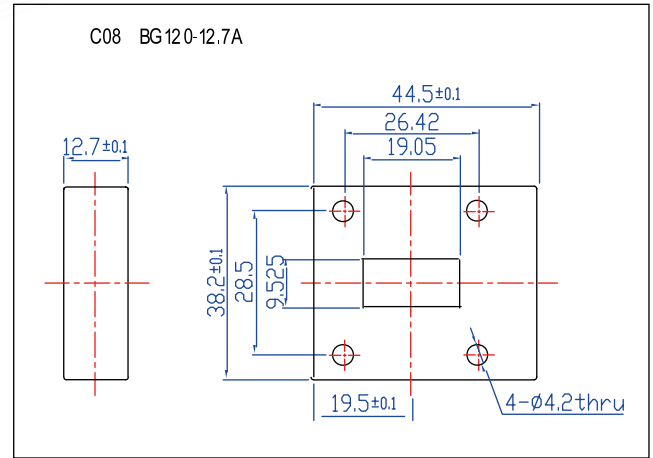
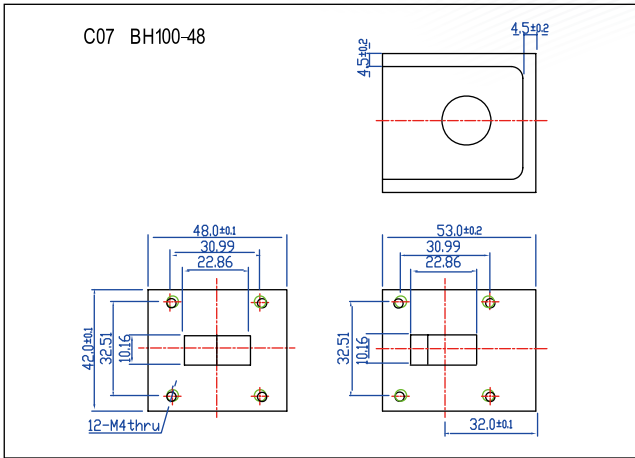
# Waveguide Series

| Outline Drawing | Part Number  | Frequency Range (GHz) | Relative Bandwidth | Insertion Loss (dB Max) | Isolation (dB Min) | VSWR (Max) | Operating Temperature (°C) | Connector Type |
|-----------------|--------------|-----------------------|--------------------|-------------------------|--------------------|------------|----------------------------|----------------|
| C01             | BG70-45      | 5.38-8.18             | 10%                | 0.3                     | 23                 | 1.2        | -40 ~ +85                  | WR137          |
| C02             | BH70-68.3    | 5.38-8.18             | 10%                | 0.3                     | 23                 | 1.2        | -40 ~ +85                  | WR137          |
| C03             | BG84-36      | 6.58-10.0             | 10%                | 0.3                     | 23                 | 1.2        | -40 ~ +85                  | WR112          |
| C04             | BH84-60      | 6.58-10.0             | 10%                | 0.3                     | 23                 | 1.2        | -40 ~ +85                  | WR112          |
| C05             | BG100-12.7   | 8.20-12.5             | 3%                 | 0.3                     | 25                 | 1.2        | -40 ~ +85                  | WR90           |
| C06             | BG100-28     | 8.20-12.5             | 10%                | 0.3                     | 23                 | 1.2        | -40 ~ +85                  | WR90           |
| C07             | BH100-48     | 8.20-12.5             | 10%                | 0.3                     | 23                 | 1.2        | -40 ~ +85                  | WR90           |
| C08             | BG120-12.7A  | 9.48-15.0             | 5%                 | 0.3                     | 20                 | 1.2        | -40 ~ +85                  | WR75           |
| C09             | BG120-25     | 9.48-15.0             | 10%                | 0.3                     | 23                 | 1.2        | -40 ~ +85                  | WR75           |
| C10             | BH120-42     | 9.48-15.0             | 10%                | 0.3                     | 23                 | 1.2        | -40 ~ +85                  | WR75           |
| C11             | BG140-12.7   | 11.9-18.0             | 5%                 | 0.3                     | 23                 | 1.2        | -40 ~ +85                  | WR62           |
| C12             | BG140-21     | 11.9-18.0             | 10%                | 0.3                     | 23                 | 1.2        | -40 ~ +85                  | WR62           |
| C13             | BH140-40     | 11.9-18.0             | 10%                | 0.3                     | 23                 | 1.2        | -40 ~ +85                  | WR62           |
| C14             | BG180-15A    | 14.5-22.0             | 10%                | 0.3                     | 20                 | 1.2        | -40 ~ +85                  | WR51           |
| C15             | BH180-32     | 14.5-22.0             | 10%                | 0.3                     | 20                 | 1.2        | -40 ~ +85                  | WR51           |
| C16             | BG220-9.5    | 17.6-26.7             | 10%                | 0.4                     | 18                 | 1.3        | -40 ~ +85                  | WR42           |
| C17             | BG220-12.7   | 17.6-26.7             | 10%                | 0.4                     | 20                 | 1.2        | -40 ~ +85                  | WR42           |
| C18             | BH220-24     | 17.6-26.7             | 10%                | 0.4                     | 20                 | 1.2        | -40 ~ +85                  | WR42           |
| C19             | BG260-12.7   | 21.7-33.0             | 8%                 | 0.4                     | 20                 | 1.2        | -40 ~ +85                  | WR34           |
| C20             | BH260-22.3   | 21.7-33.0             | 8%                 | 0.4                     | 20                 | 1.2        | -40 ~ +85                  | WR34           |
| C21             | BG320-10     | 26.4-40.1             | 5%                 | 0.4                     | 20                 | 1.25       | -40 ~ +85                  | WR28           |
| C22             | BG320-12.7L1 | 26.4-40.1             | 8%                 | 0.4                     | 20                 | 1.25       | -40 ~ +85                  | WR28           |
| C23             | BH320-10     | 26.4-40.1             | 5%                 | 0.4                     | 20                 | 1.25       | -40 ~ +85                  | WR28           |
| C24             | BH320-21     | 26.4-40.1             | 5%                 | 0.4                     | 20                 | 1.25       | -40 ~ +85                  | WR28           |
| C25             | BG400-10     | 33.0-50.1             | 5%                 | 0.4                     | 20                 | 1.25       | -40 ~ +85                  | WR22           |
| C26             | BH400-19     | 33.0-50.1             | 5%                 | 0.4                     | 20                 | 1.25       | -40 ~ +85                  | WR22           |
| C27             | BG500-10     | 39.3-59.7             | 4%                 | 0.4                     | 20                 | 1.25       | -40 ~ +85                  | WR19           |
| C28             | BH500-10     | 39.3-59.7             | 4%                 | 0.4                     | 20                 | 1.25       | -40 ~ +85                  | WR19           |
| C29             | BG740-19     | 60.5-92.0             | 1%                 | 0.8                     | 18                 | 1.3        | -40 ~ +85                  | WR12           |
| C30             | BH740-25.4   | 60.5-92.0             | 1%                 | 0.8                     | 18                 | 1.3        | -40 ~ +85                  | WR12           |
| C31             | BG900-10A    | 73.8-112              | 2%                 | 1.0                     | 18                 | 1.3        | -40 ~ +85                  | WR10           |
| C32             | BH900-10A    | 73.8-112              | 2%                 | 1.0                     | 18                 | 1.3        | -40 ~ +85                  | WR10           |

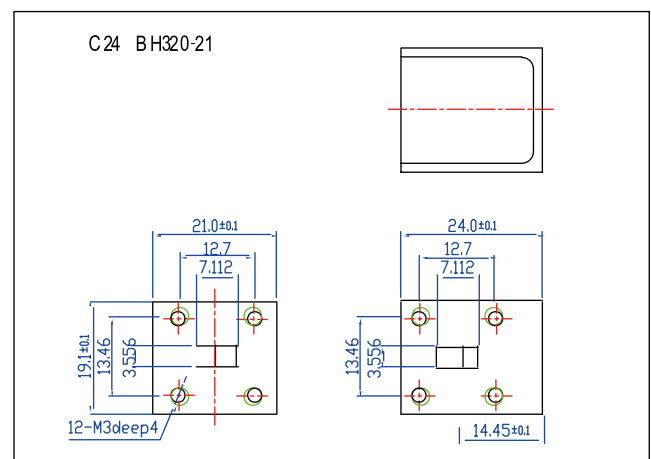
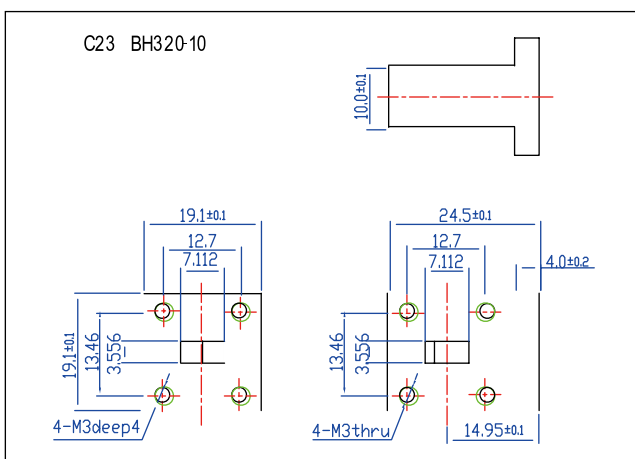
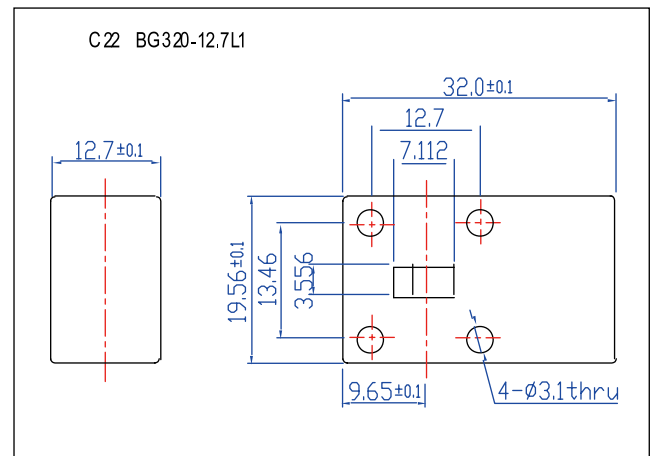
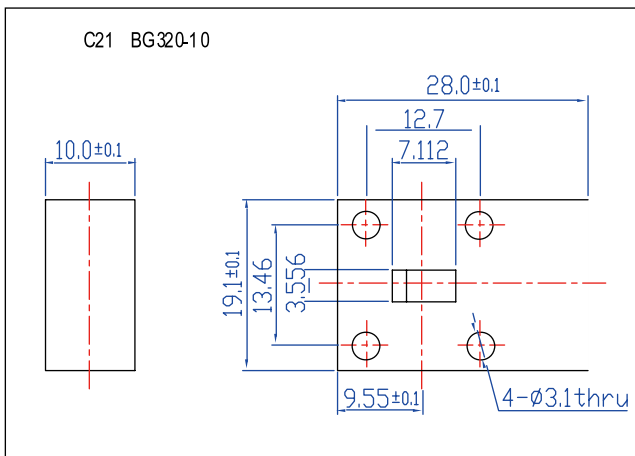
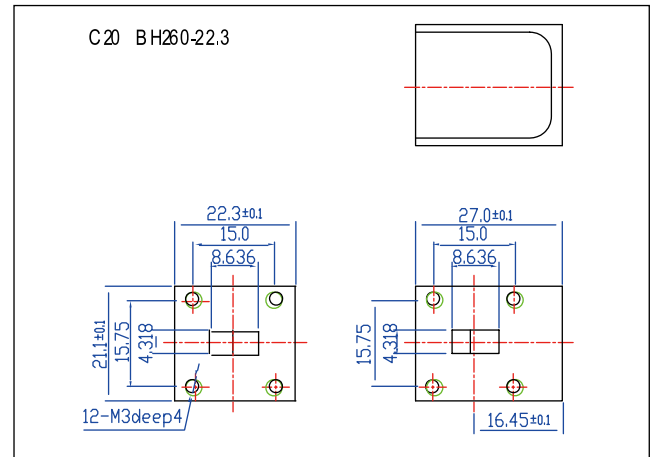
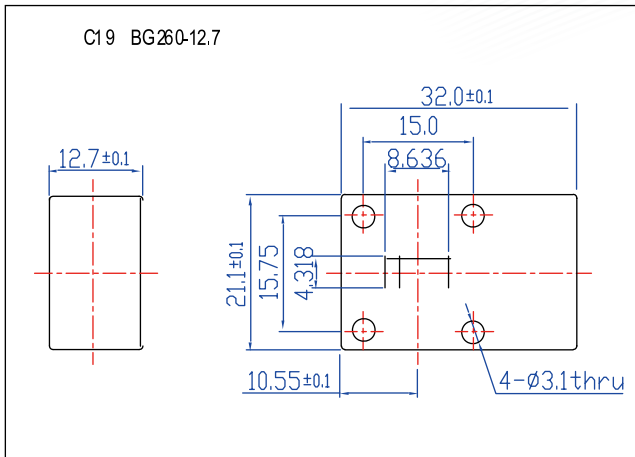
Note: All the specifications above are at room temperature (25 °C±5 °C)



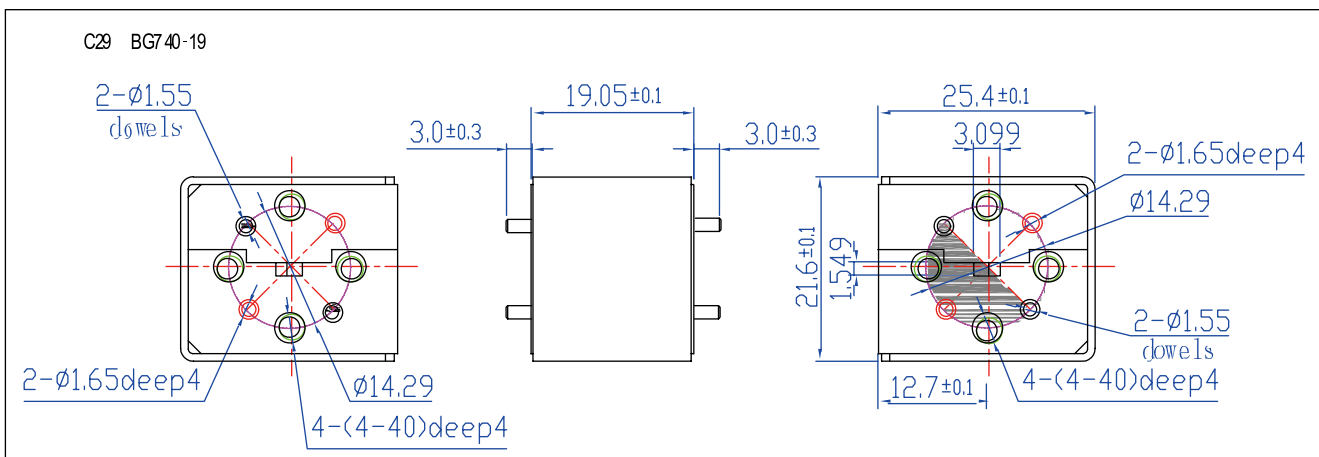
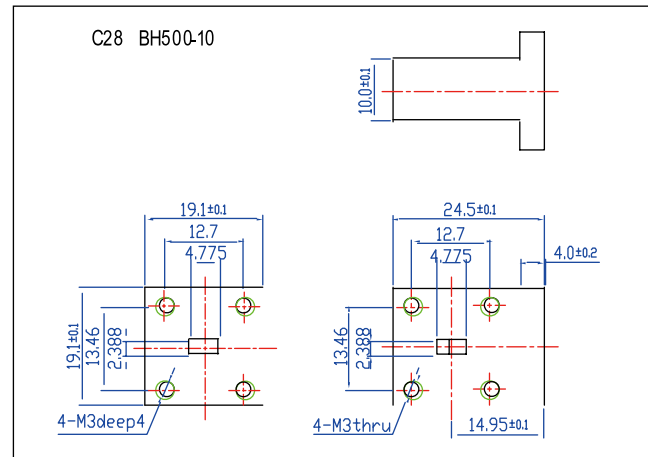
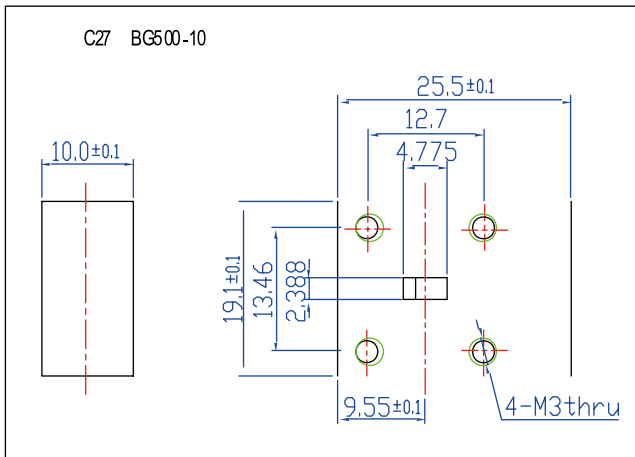
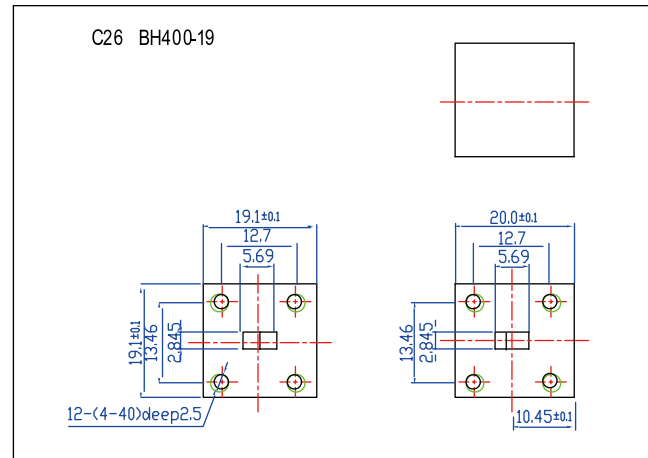
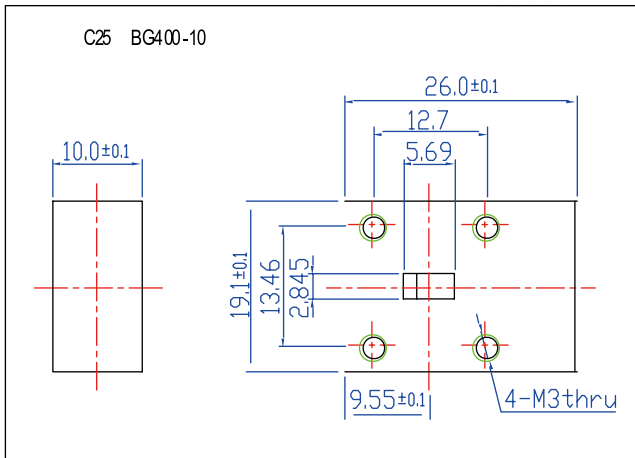
Note All dimensions are in mm



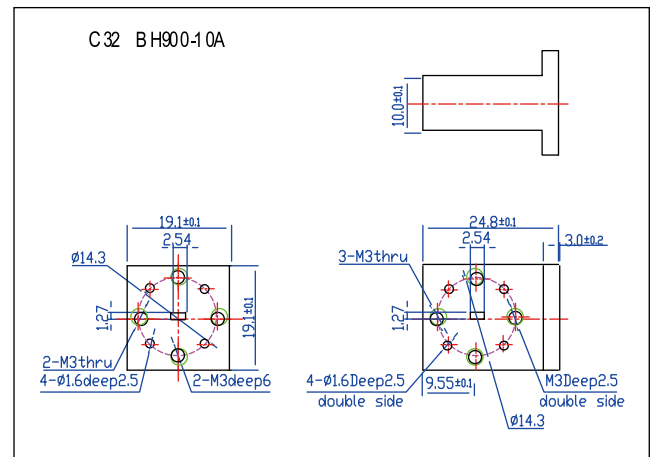
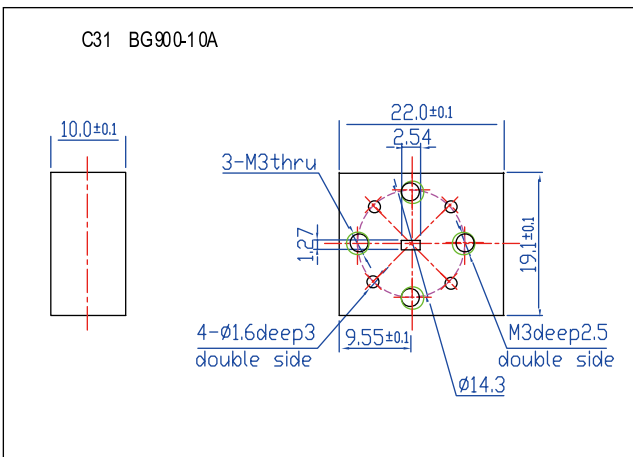
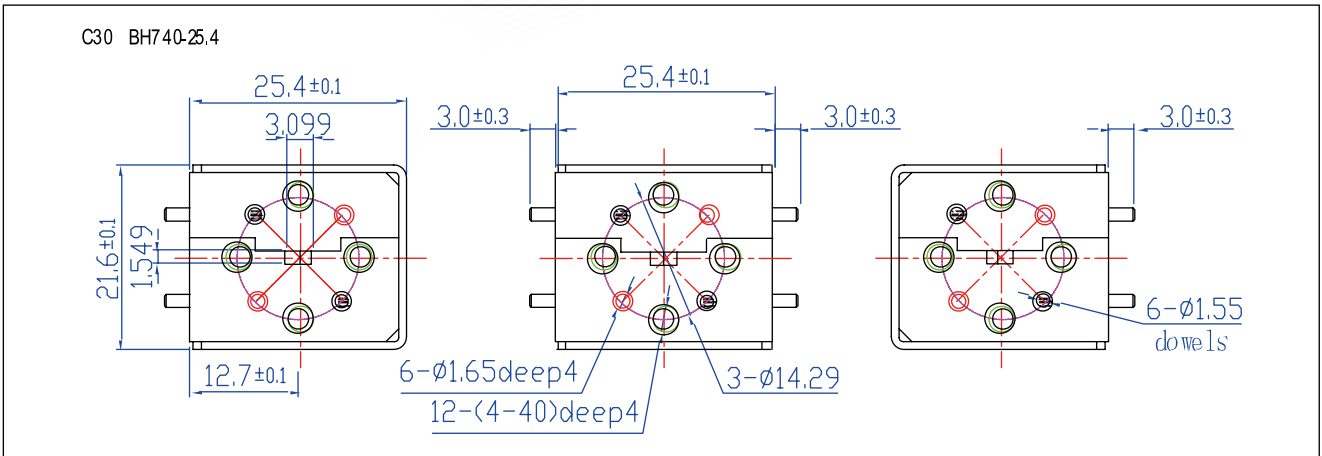
Note: All dimensions are in mm



Note All dimensions are in mm



Note All dimensions are in mm



Note All dimensions are in mm