



# Micro-strip Series (Single)

1/10

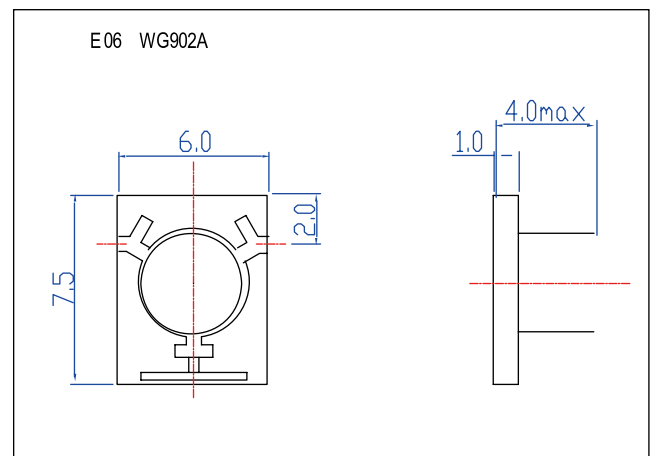
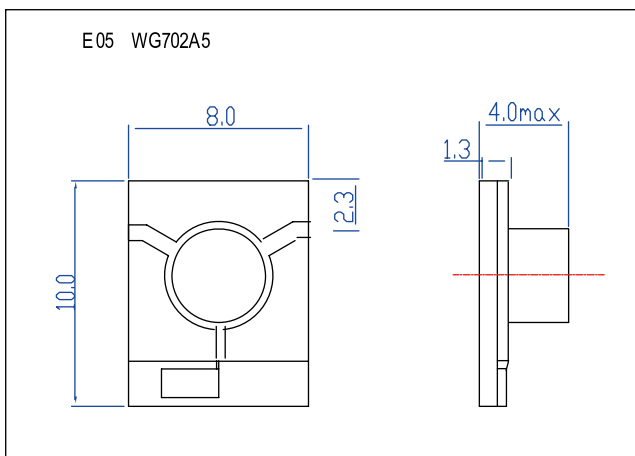
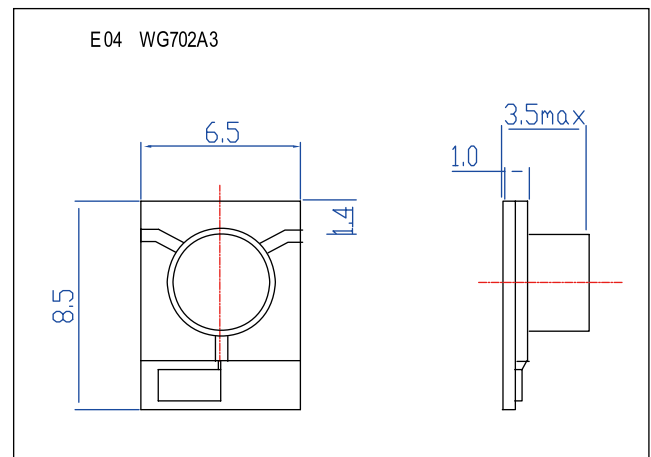
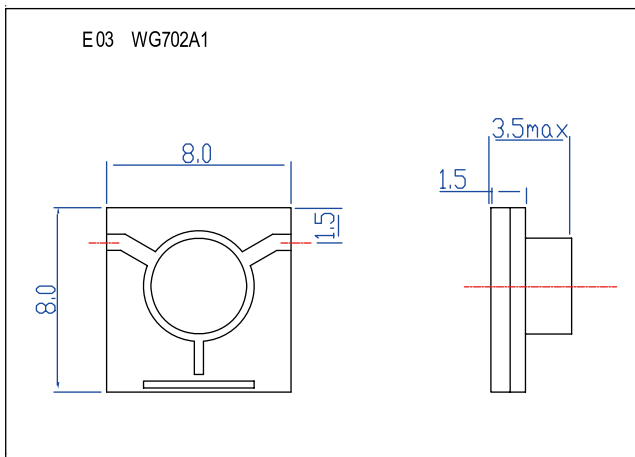
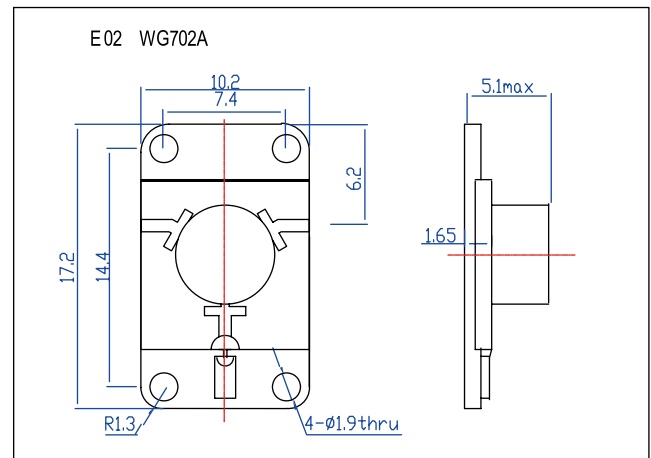
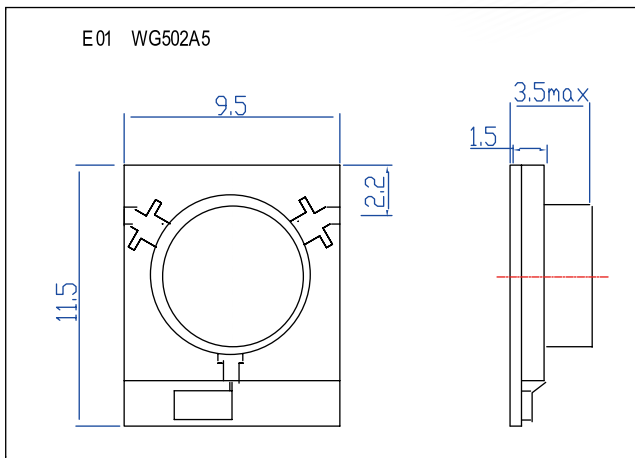
Outline Drawing	Part Number	Frequency Range (GHz)	Insertion Loss (dB Max)	Isolation (dB Min)	VSWR (Max)	Operating Temperature (°C)	Load Power (W)	Connector Type
E01	WG502A5	5.0-6.0	0.5	18	1.25	-55 ~ +85	10	GWB
E02	WG702A	7.1-8.5	0.5	20	1.35	-55 ~ +85	10	GWB
E03	WG702A1	7-7.5	0.5	20	1.25	-55 ~ +85	0.5	GWB
E04	WG702A3	7-8.5	0.6	18	1.3	-55 ~ +85	10	GWB
E05	WG702A5	5.8-7.2	0.5	18	1.25	-55 ~ +85	10	GWB
E06	WG902A	8.8-9.8	0.5	20	1.25	-55 ~ +85	0.5	GWB
E07	WG902A2	11.9-12.2	0.5	20	1.25	-55 ~ +85	0.5	GWB
E08	WG902A3	10.5-10.9	0.5	20	1.25	-55 ~ +85	10	GWB
E09	WG902A7	8.5-10.5	0.5	18	1.25	-55 ~ +85	20	GWB
E10	WG902A11	13-15	0.6	18	1.3	-55 ~ +85	0.5	GWB
E11	WG902A12	8.5-10.5	0.5	18	1.3	-55 ~ +85	0.5	GWB
E12	WG902A19	8-12	0.6	17	1.35	-55 ~ +85	10	GWB
E13	WG1202A	8-18	1.2	11	1.6	-55 ~ +85	5	GWB
E14	WG1502A8	16-17	0.6	18	1.3	-55 ~ +85	10	GWB
E15	WG1502A10	14.2-16	0.6	17	1.35	-55 ~ +85	10	GWB
E16	WG1502A16	12-17	0.8	15	1.45	-55 ~ +85	10	GWB
E17	WG2002A	18.2-21.2	0.8	17	1.4	-55 ~ +85	0.5	GWB
E18	WG2602A2	24.5-28.35	1.2	18	1.4	-55 ~ +85	0.5	GWB
E19	WG2802A1	29-31	1.2	18	1.4	-55 ~ +85	0.5	GWB
E20	WG3002A3	32-36	1.3	15	1.5	-55 ~ +85	0.5	GWB
E21	WG3002A8	30.4-33.4	1.2	15	1.4	-55 ~ +85	0.5	GWB
E22	WG4002A	43.5-45.5	1.5	15	1.5	-55 ~ +85	0.5	GWB
E23	WH502A2	5.0-6.0	0.6	17	1.35	-55 ~ +85	/	GWB
E24	WH502A3	5.2-5.9	0.5	18	1.3	-55 ~ +85	/	GWB
E25	WH702A1	6.5-7.1	0.5	18	1.3	-55 ~ +85	/	GWB
E26	WH902A2	8.6-10.6	0.6	17	1.35	-55 ~ +85	/	GWB
E27	WH902A3	8-12	0.6	17	1.35	-55 ~ +85	/	GWB
E28	WH902A5	8-12	0.6	16	1.4	-55 ~ +85	/	GWB
E29	WH1502A6	14-18	0.7	16	1.4	-55 ~ +85	/	GWB
E30	WH1502A9	12-17	0.8	15	1.45	-55 ~ +85	/	GWB
E31	WH1502A18	14.5-15.5	0.5	20	1.25	-55 ~ +85	/	GWB
E32	WH2002A	19.5-23	0.8	15	1.4	-55 ~ +85	/	GWB
E33	WH2602A2	24.5-26.5	1	16	1.4	-55 ~ +85	/	GWB
E34	WH3002A2	34-36	1.2	16	1.4	-55 ~ +85	/	GWB
E35	WH3002A3	34-36	1.2	16	1.4	-55 ~ +85	/	GWB

Note All the specifications above are at room temperature(25°C±5°C)

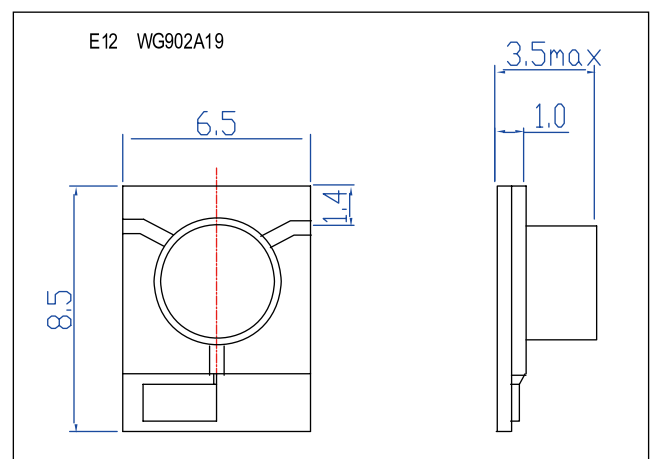
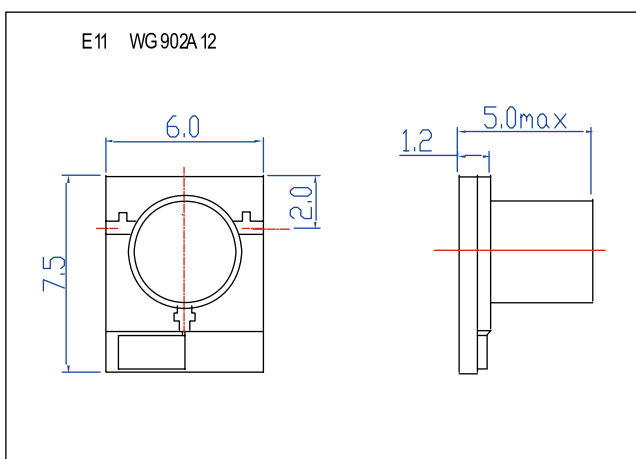
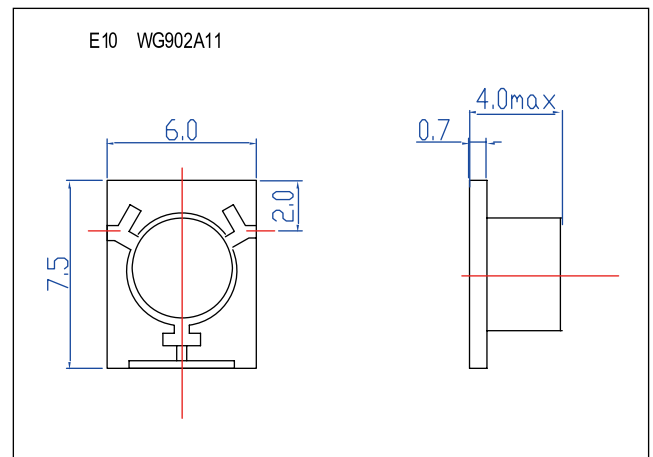
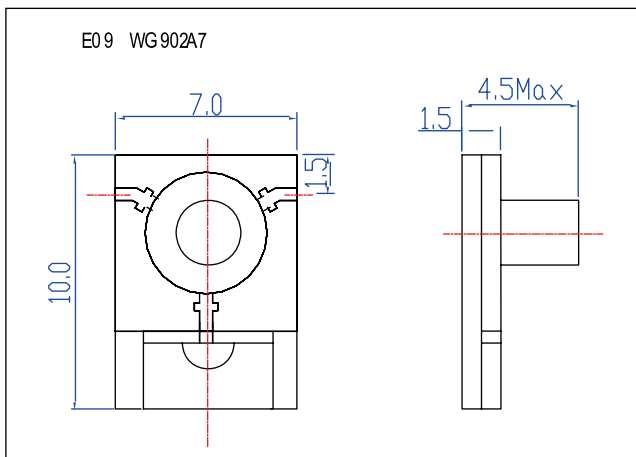
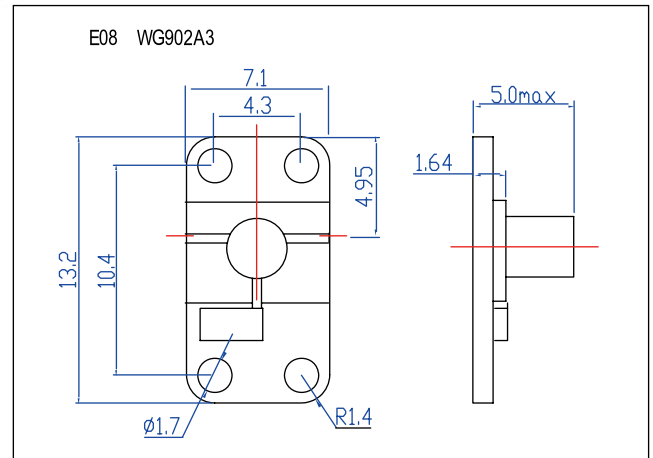
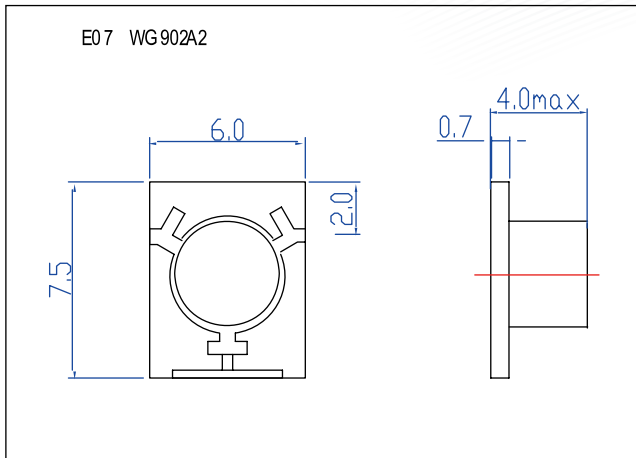


Outline Drawing	Part Number	Frequency Range (GHz)	Insertion Loss (dB Max)	Isolation (dB Min)	VSWR (Max)	Operating Temperature (°C)	Load Power (W)	Connector Type
E36/E37	WH502AS5/ WH502AS6	5.1-5.7	0.5(2->3) 1.0(3->1)	20(3->2) 38(1->3)	1.3	-55 +85	10	GWB
E38	WH502AS7	5.2-5.7	0.4(1->2) 0.7(2->3)	20(2->1) 39(3->2)	1.25	-55 ~ +85	10	GWB
E39	WH902AS10	8-12	0.6(2->1) 1.2(3->2)	16(1->3) 30(2->3)	1.3	-55 ~ +85	20	GWB
E40	WH1202AS1	11.5-13.5	0.6(1->2) 1.1(2->3)	18(2->1) 30(3->2)	1.3	-55 +85	10	GWB
E41	WH1502AS4-1	15.5-17.9	0.65(2->1) 1.1(1->3)	18(1->2) 30(3->1)	1.3	-55 ~ +85	10	GWB
E42/E43	WH1502AS8/ WH1502AS12	15.7-17.7	0.6(1->2) 1.1(2->3)	18(2->1) 30(3->2)	1.3	-55 ~ +85	20	GWB
E44	WH1502AS10/ WH1502AS14	14.5-16	0.6(1->2) 1.2(2->3)	17(2->1) 30(3->2)	1.3	-55 +85	10	GWB
E45/E46	WH1502AS18	14-18	0.8(1->2) 1.5(2->3)	15(2->1) 30(3->2)	1.45	-55 +85	20	GWB
E47	WH1602AS	16.4-17.2	0.5(1->2) 0.9(2->3)	23(2->1) 23(3->1)	1.25	-55 ~ +85	10	GWB

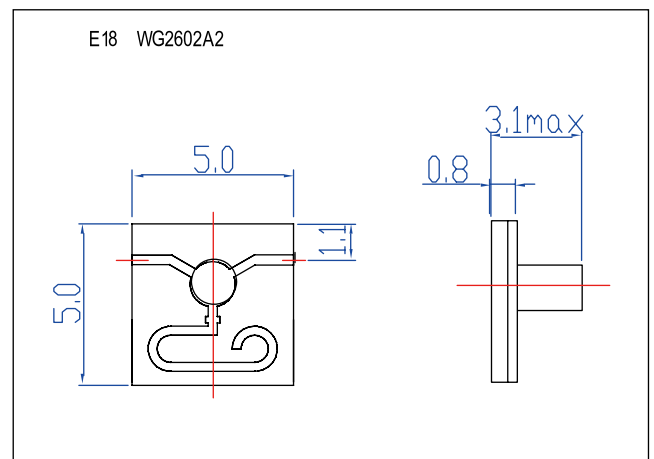
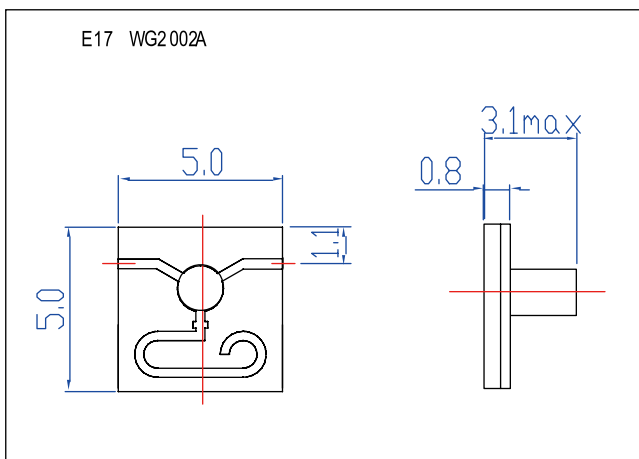
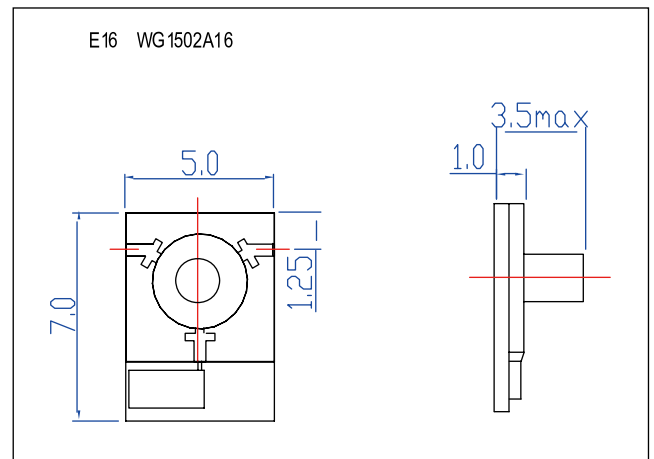
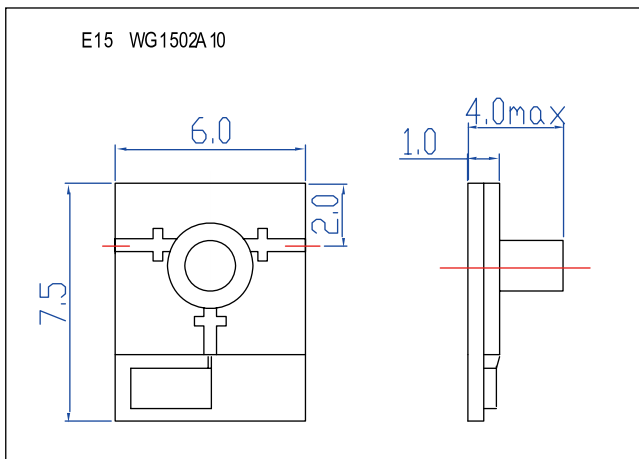
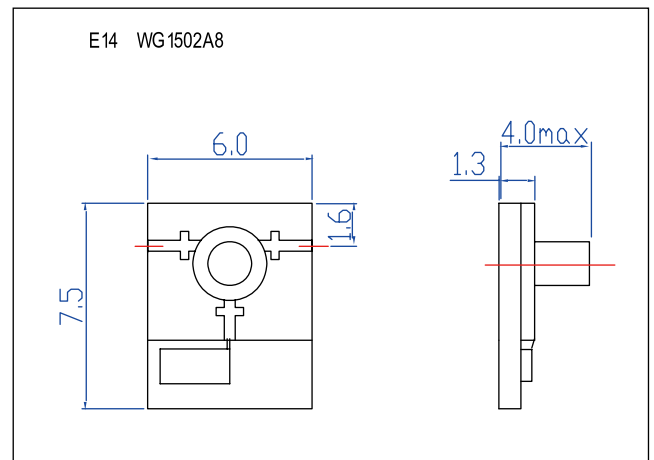
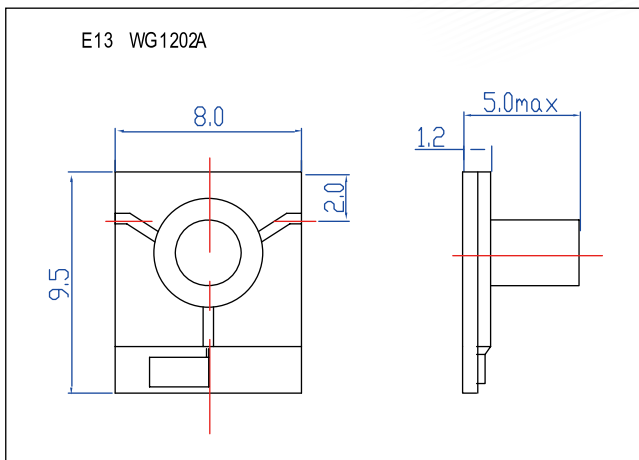
Note All the specifications above are at room temperature (25 °C±5 °C)



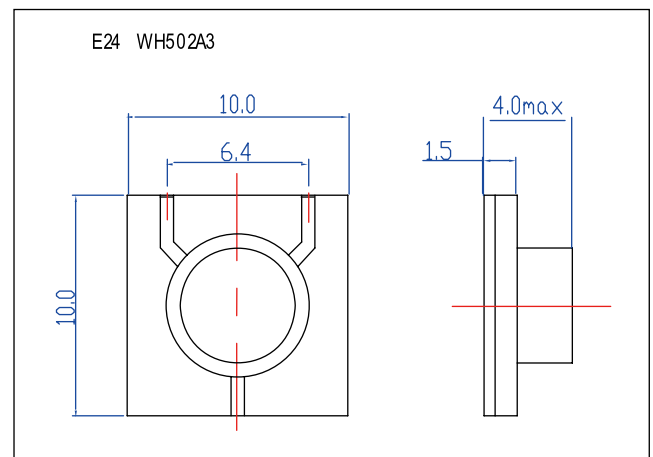
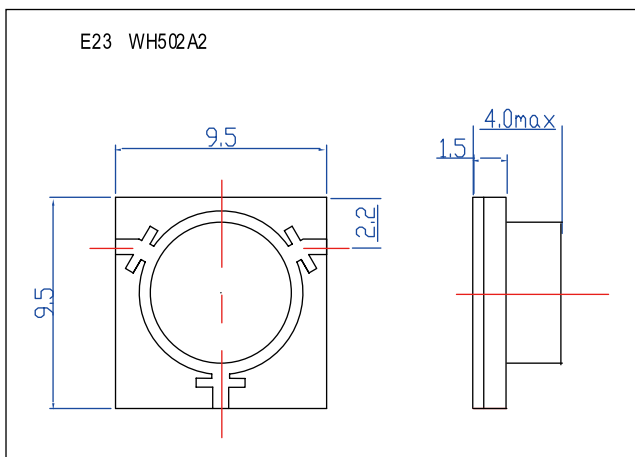
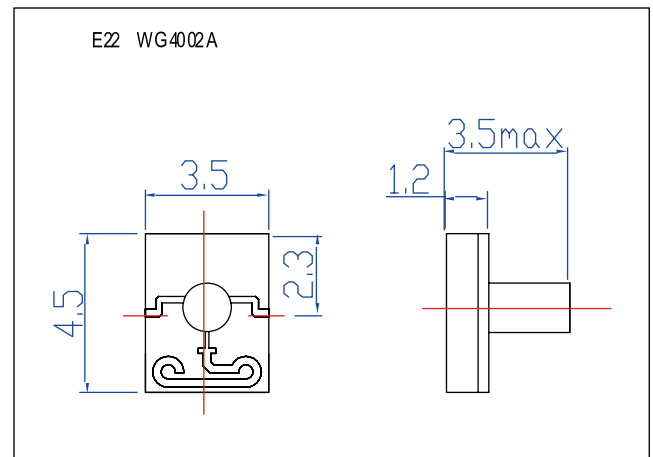
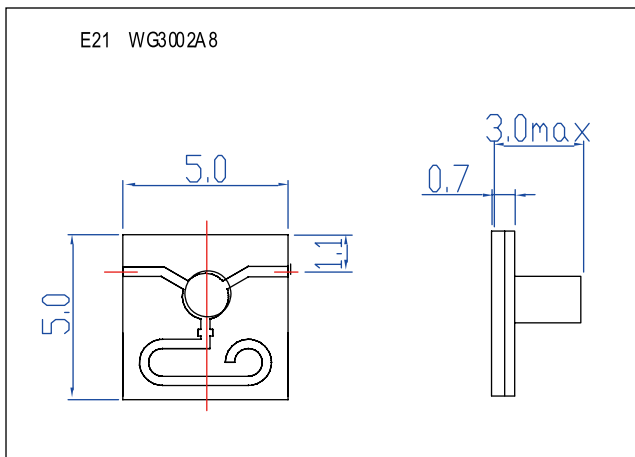
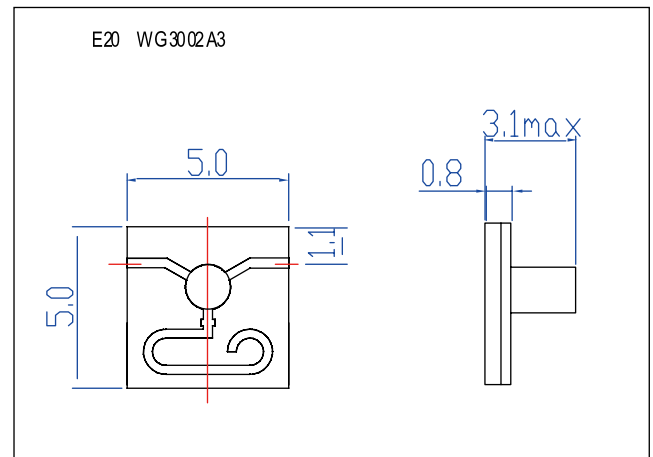
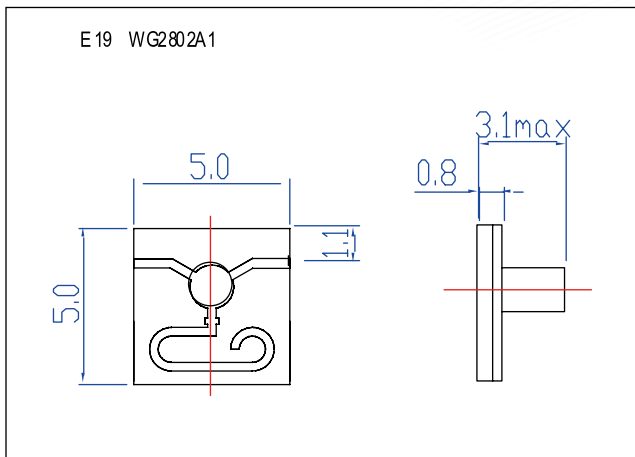
Note All dimensions are in mm



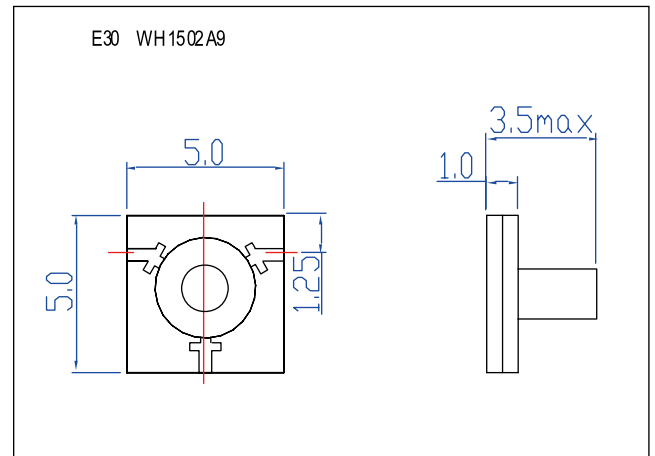
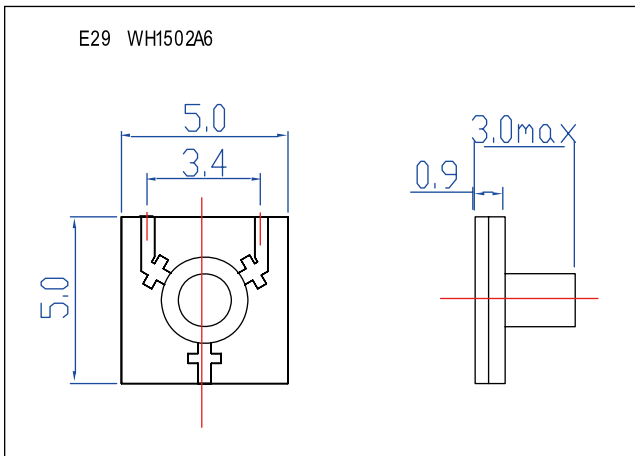
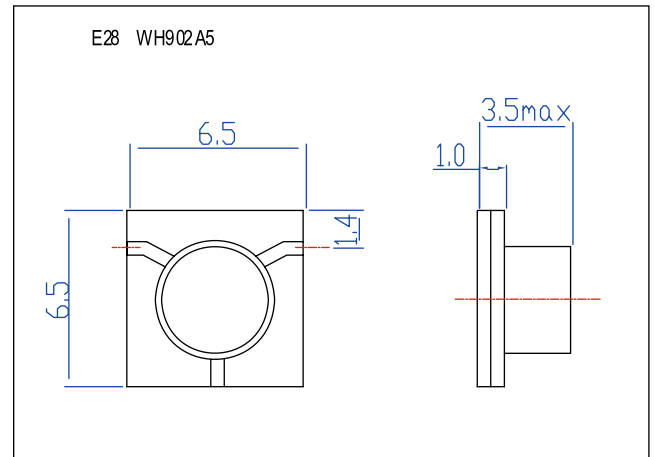
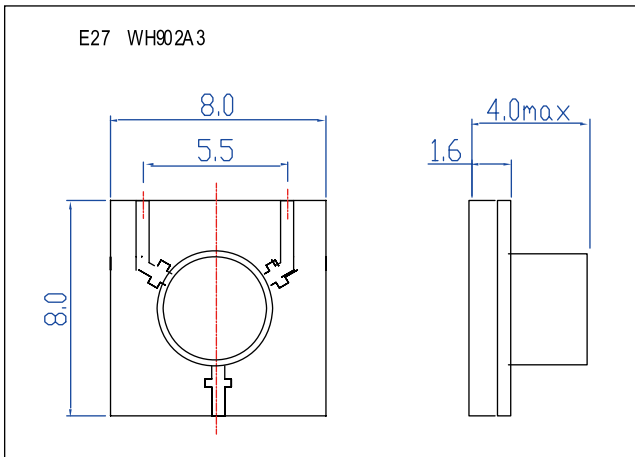
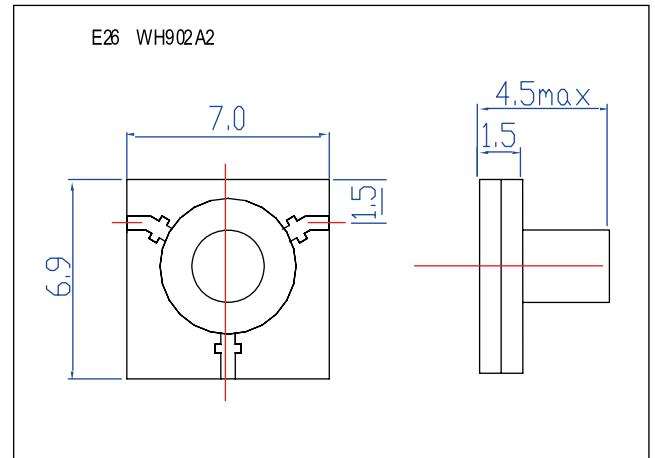
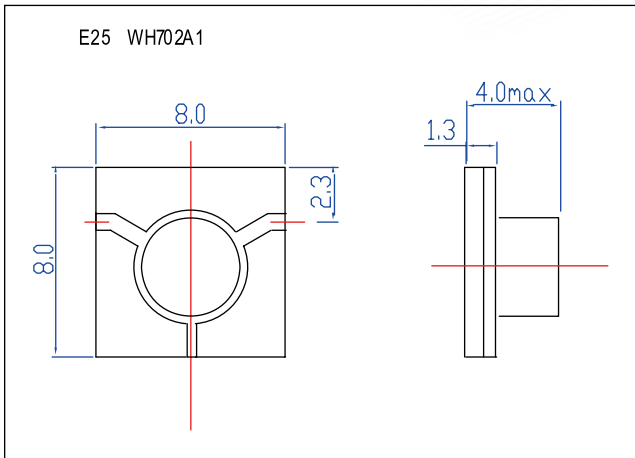
Note All dimensions are in mm



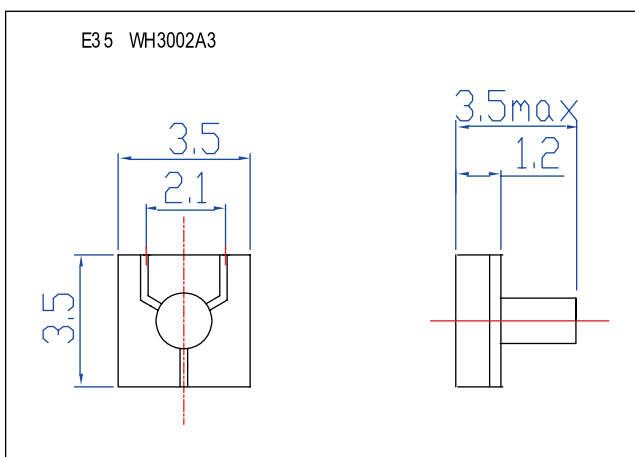
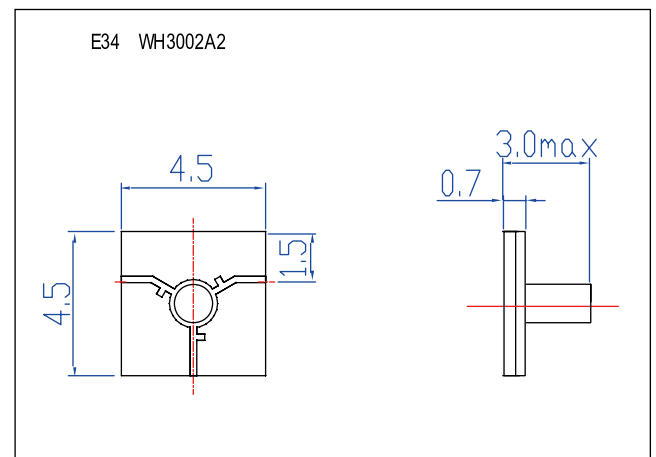
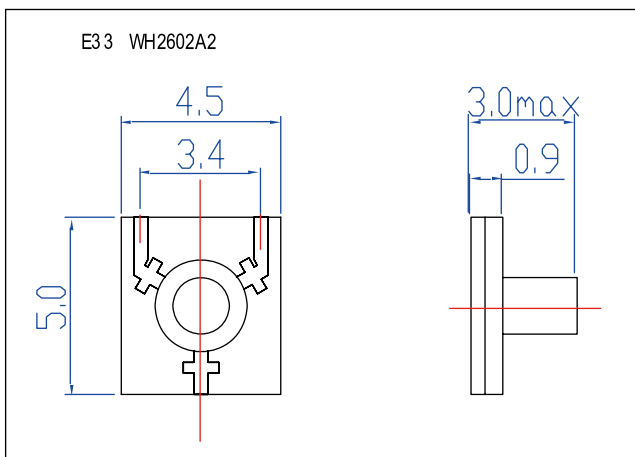
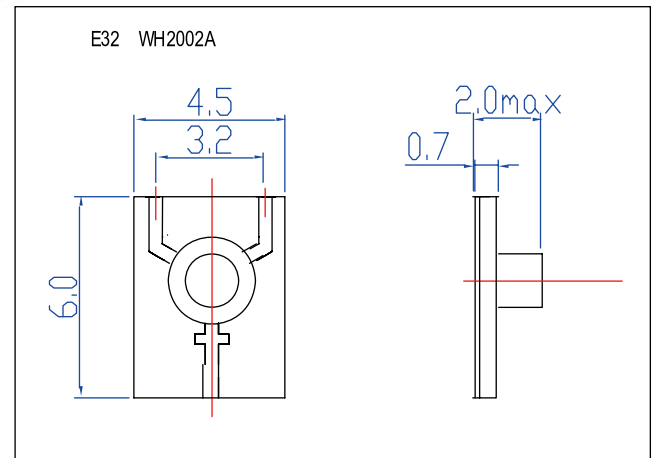
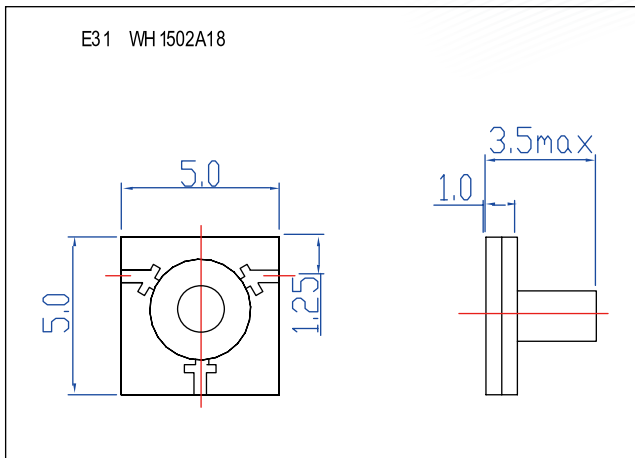
Note All dimensions are in mm



Note All dimensions are in mm

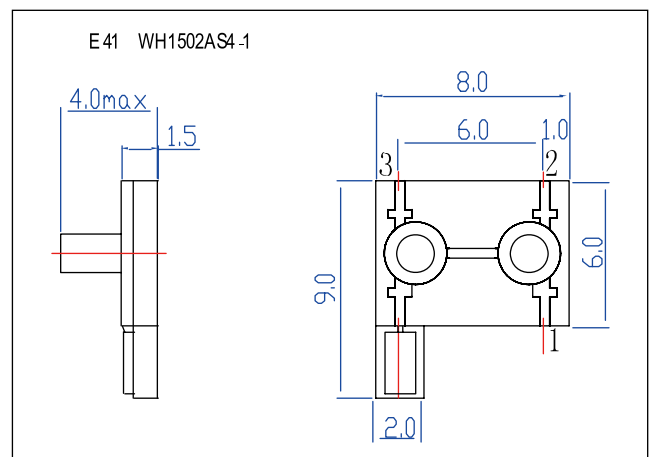
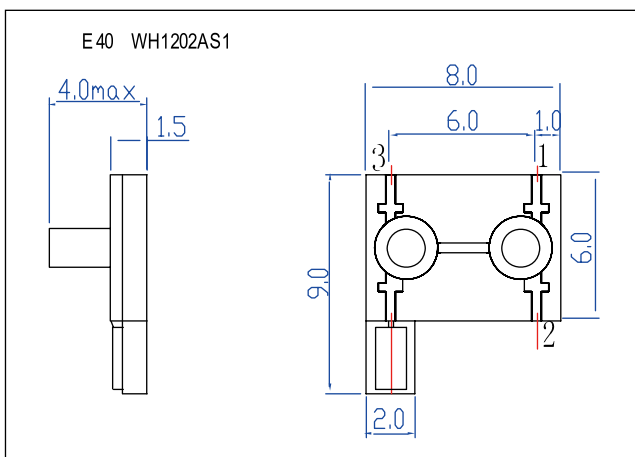
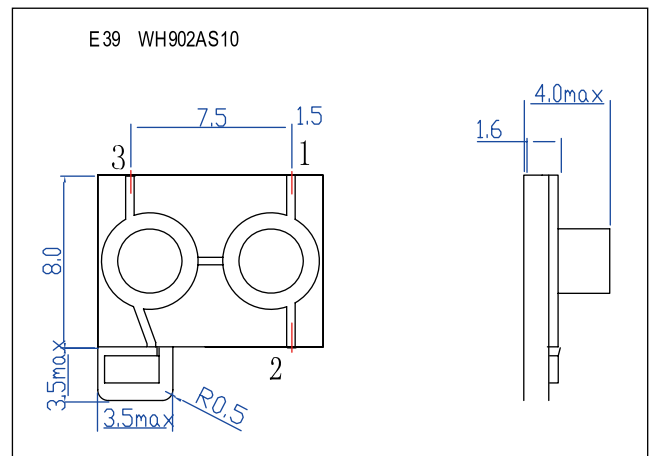
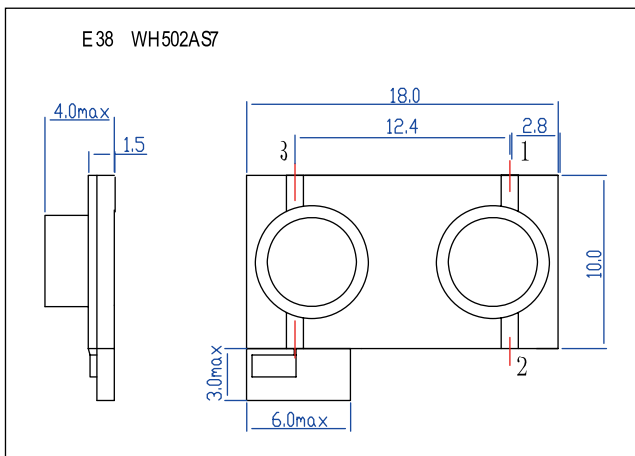
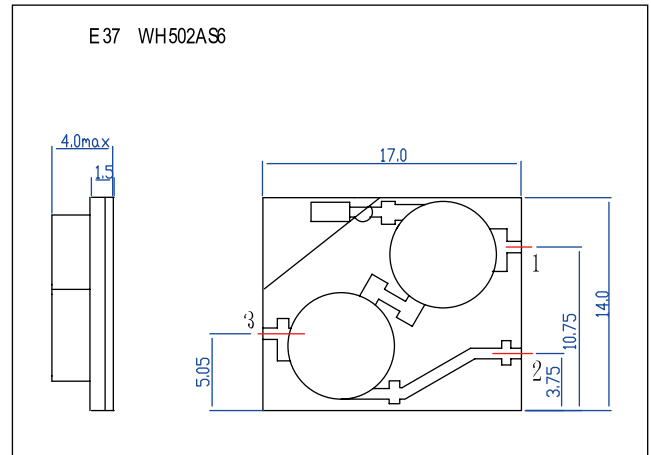
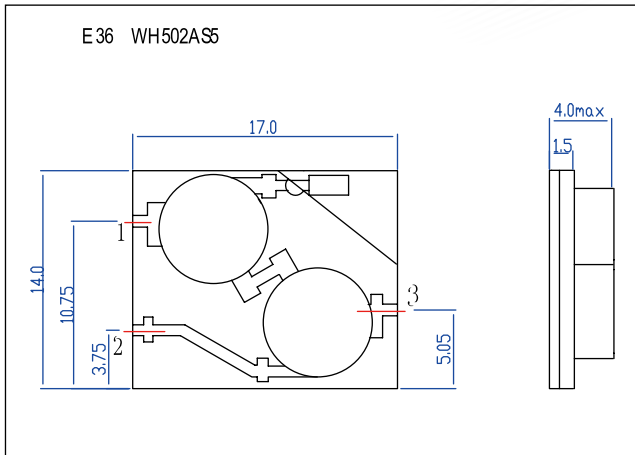


Note All dimensions are in mm

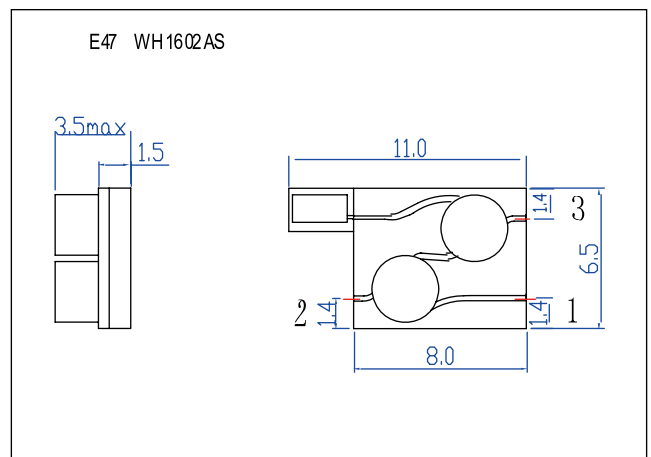
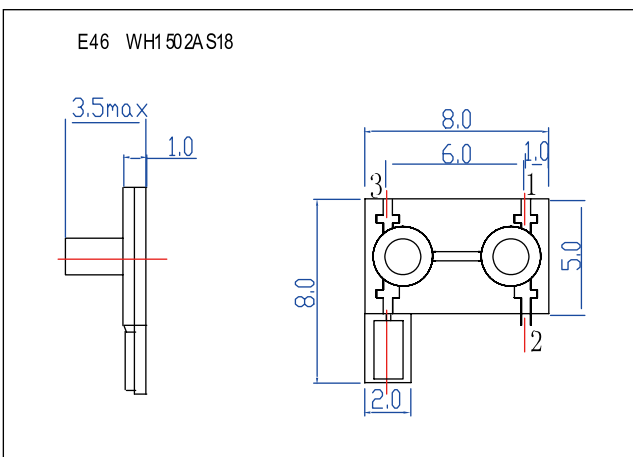
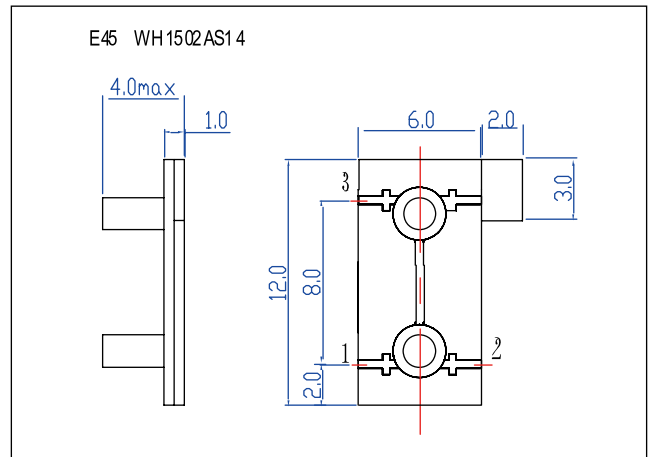
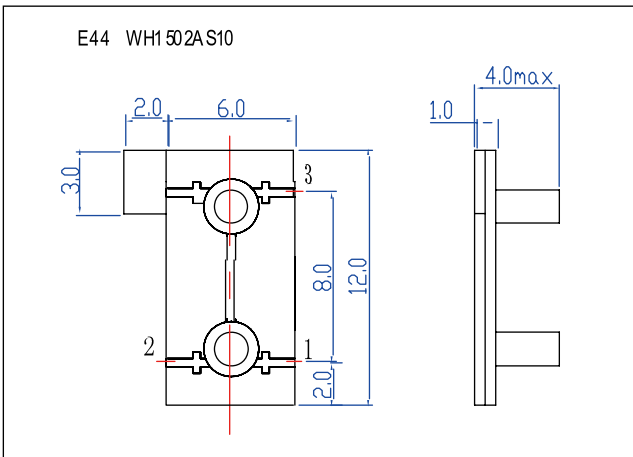
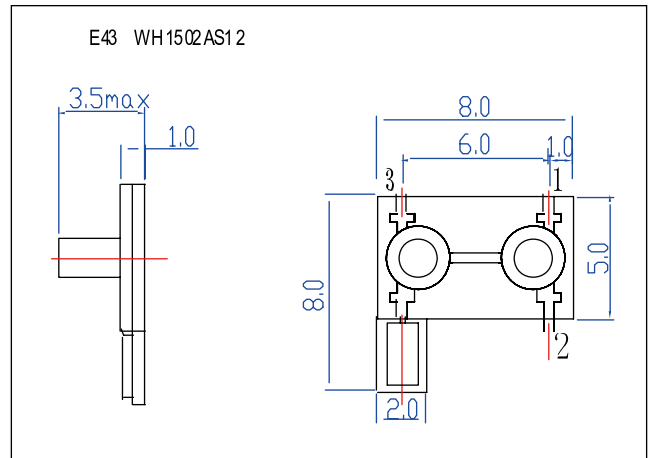
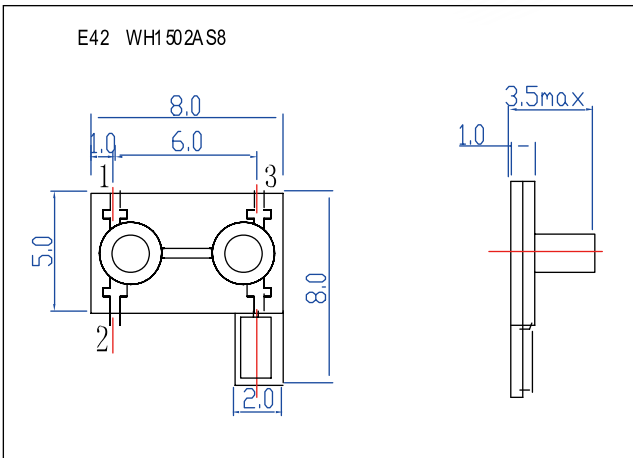


Note All dimensions are in mm





Note All dimensions are in mm



Note All dimensions are in mm