



# Micro-strip Series (Single)

1/10

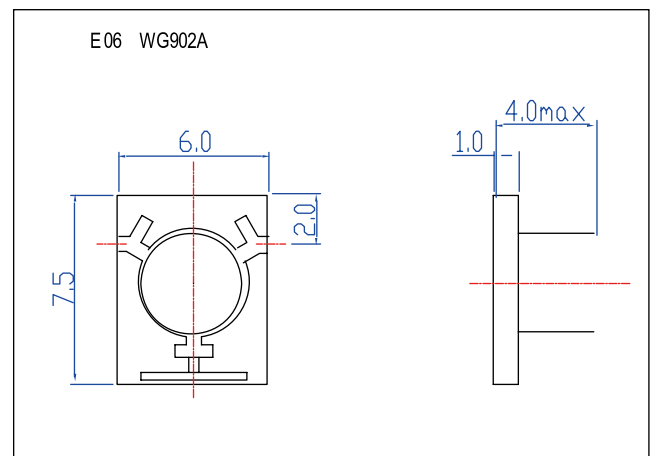
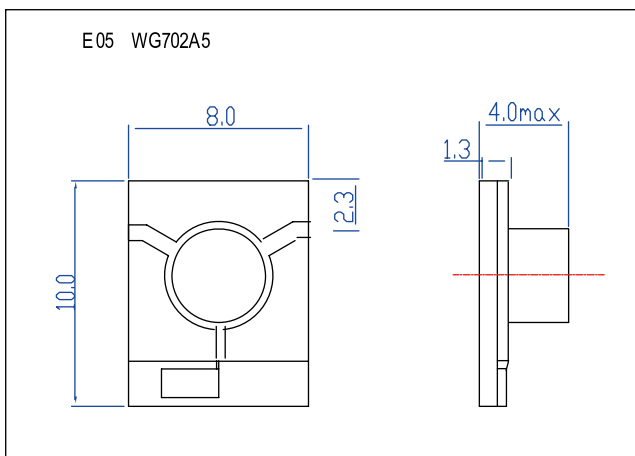
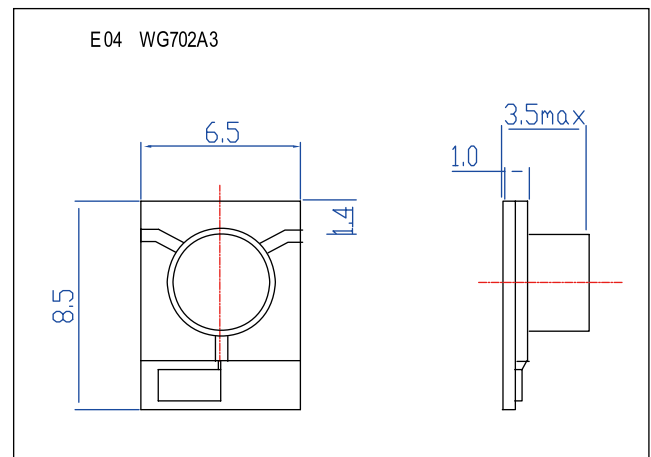
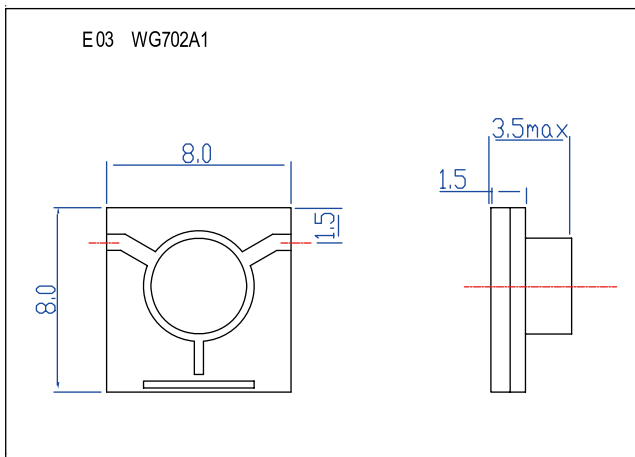
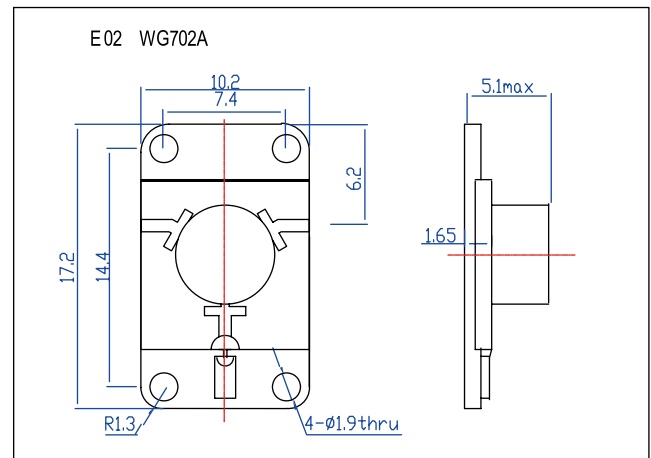
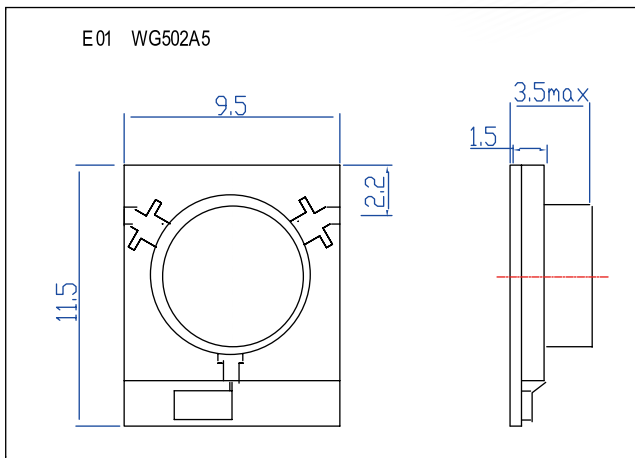
| Outline Drawing | Part Number | Frequency Range (GHz) | Insertion Loss (dB Max) | Isolation (dB Min) | VSWR (Max) | Operating Temperature (°C) | Load Power (W) | Connector Type |
|-----------------|-------------|-----------------------|-------------------------|--------------------|------------|----------------------------|----------------|----------------|
| E01             | WG502A5     | 5.0-6.0               | 0.5                     | 18                 | 1.25       | -55 ~ +85                  | 10             | GWB            |
| E02             | WG702A      | 7.1-8.5               | 0.5                     | 20                 | 1.35       | -55 ~ +85                  | 10             | GWB            |
| E03             | WG702A1     | 7-7.5                 | 0.5                     | 20                 | 1.25       | -55 ~ +85                  | 0.5            | GWB            |
| E04             | WG702A3     | 7-8.5                 | 0.6                     | 18                 | 1.3        | -55 ~ +85                  | 10             | GWB            |
| E05             | WG702A5     | 5.8-7.2               | 0.5                     | 18                 | 1.25       | -55 ~ +85                  | 10             | GWB            |
| E06             | WG902A      | 8.8-9.8               | 0.5                     | 20                 | 1.25       | -55 ~ +85                  | 0.5            | GWB            |
| E07             | WG902A2     | 11.9-12.2             | 0.5                     | 20                 | 1.25       | -55 ~ +85                  | 0.5            | GWB            |
| E08             | WG902A3     | 10.5-10.9             | 0.5                     | 20                 | 1.25       | -55 ~ +85                  | 10             | GWB            |
| E09             | WG902A7     | 8.5-10.5              | 0.5                     | 18                 | 1.25       | -55 ~ +85                  | 20             | GWB            |
| E10             | WG902A11    | 13-15                 | 0.6                     | 18                 | 1.3        | -55 ~ +85                  | 0.5            | GWB            |
| E11             | WG902A12    | 8.5-10.5              | 0.5                     | 18                 | 1.3        | -55 ~ +85                  | 0.5            | GWB            |
| E12             | WG902A19    | 8-12                  | 0.6                     | 17                 | 1.35       | -55 ~ +85                  | 10             | GWB            |
| E13             | WG1202A     | 8-18                  | 1.2                     | 11                 | 1.6        | -55 ~ +85                  | 5              | GWB            |
| E14             | WG1502A8    | 16-17                 | 0.6                     | 18                 | 1.3        | -55 ~ +85                  | 10             | GWB            |
| E15             | WG1502A10   | 14.2-16               | 0.6                     | 17                 | 1.35       | -55 ~ +85                  | 10             | GWB            |
| E16             | WG1502A16   | 12-17                 | 0.8                     | 15                 | 1.45       | -55 ~ +85                  | 10             | GWB            |
| E17             | WG2002A     | 18.2-21.2             | 0.8                     | 17                 | 1.4        | -55 ~ +85                  | 0.5            | GWB            |
| E18             | WG2602A2    | 24.5-28.35            | 1.2                     | 18                 | 1.4        | -55 ~ +85                  | 0.5            | GWB            |
| E19             | WG2802A1    | 29-31                 | 1.2                     | 18                 | 1.4        | -55 ~ +85                  | 0.5            | GWB            |
| E20             | WG3002A3    | 32-36                 | 1.3                     | 15                 | 1.5        | -55 ~ +85                  | 0.5            | GWB            |
| E21             | WG3002A8    | 30.4-33.4             | 1.2                     | 15                 | 1.4        | -55 ~ +85                  | 0.5            | GWB            |
| E22             | WG4002A     | 43.5-45.5             | 1.5                     | 15                 | 1.5        | -55 ~ +85                  | 0.5            | GWB            |
| E23             | WH502A2     | 5.0-6.0               | 0.6                     | 17                 | 1.35       | -55 ~ +85                  | /              | GWB            |
| E24             | WH502A3     | 5.2-5.9               | 0.5                     | 18                 | 1.3        | -55 ~ +85                  | /              | GWB            |
| E25             | WH702A1     | 6.5-7.1               | 0.5                     | 18                 | 1.3        | -55 ~ +85                  | /              | GWB            |
| E26             | WH902A2     | 8.6-10.6              | 0.6                     | 17                 | 1.35       | -55 ~ +85                  | /              | GWB            |
| E27             | WH902A3     | 8-12                  | 0.6                     | 17                 | 1.35       | -55 ~ +85                  | /              | GWB            |
| E28             | WH902A5     | 8-12                  | 0.6                     | 16                 | 1.4        | -55 ~ +85                  | /              | GWB            |
| E29             | WH1502A6    | 14-18                 | 0.7                     | 16                 | 1.4        | -55 ~ +85                  | /              | GWB            |
| E30             | WH1502A9    | 12-17                 | 0.8                     | 15                 | 1.45       | -55 ~ +85                  | /              | GWB            |
| E31             | WH1502A18   | 14.5-15.5             | 0.5                     | 20                 | 1.25       | -55 ~ +85                  | /              | GWB            |
| E32             | WH2002A     | 19.5-23               | 0.8                     | 15                 | 1.4        | -55 ~ +85                  | /              | GWB            |
| E33             | WH2602A2    | 24.5-26.5             | 1                       | 16                 | 1.4        | -55 ~ +85                  | /              | GWB            |
| E34             | WH3002A2    | 34-36                 | 1.2                     | 16                 | 1.4        | -55 ~ +85                  | /              | GWB            |
| E35             | WH3002A3    | 34-36                 | 1.2                     | 16                 | 1.4        | -55 ~ +85                  | /              | GWB            |

Note All the specifications above are at room temperature(25°C±5°C)

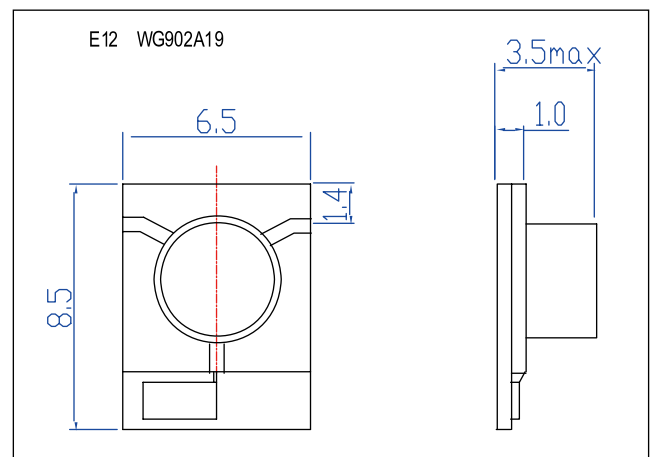
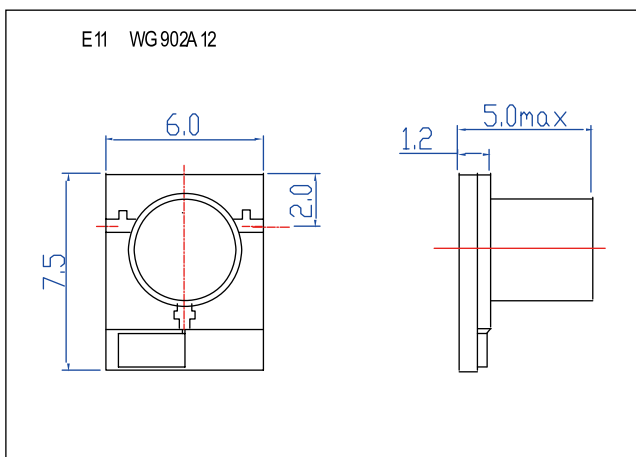
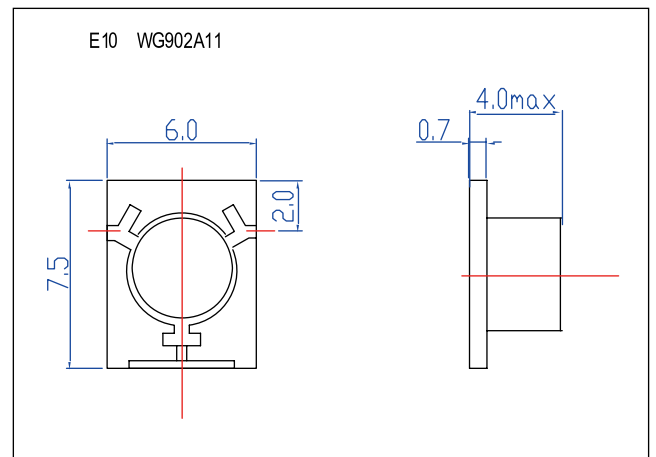
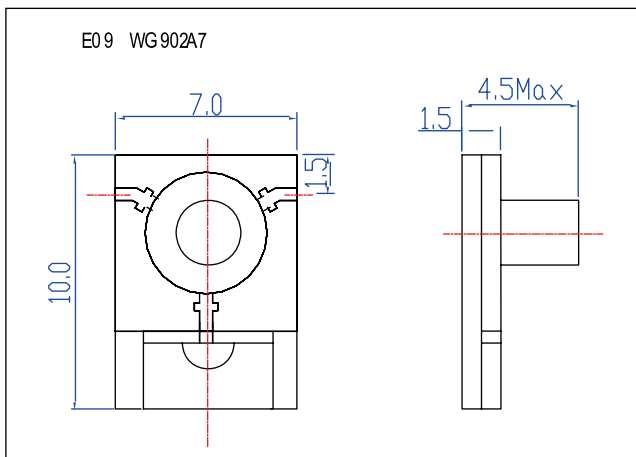
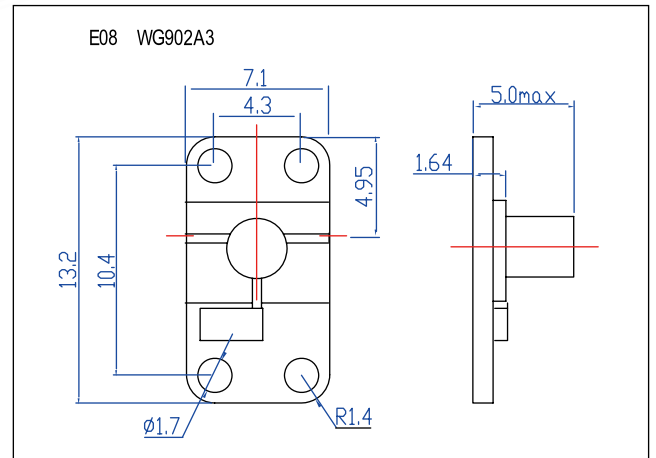
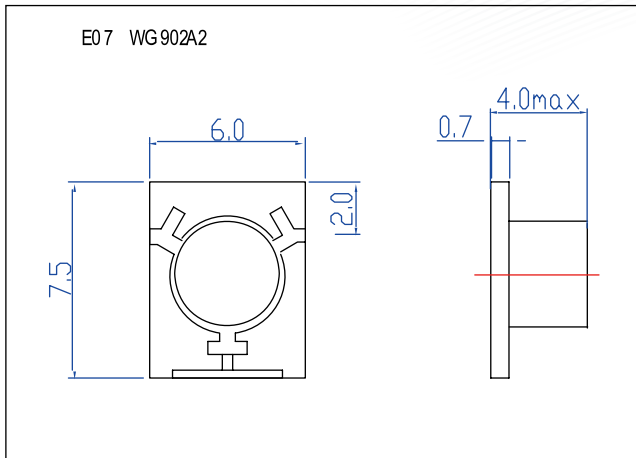


| Outline Drawing | Part Number               | Frequency Range (GHz) | Insertion Loss (dB Max) | Isolation (dB Min)   | VSWR (Max) | Operating Temperature (°C) | Load Power (W) | Connector Type |
|-----------------|---------------------------|-----------------------|-------------------------|----------------------|------------|----------------------------|----------------|----------------|
| E36/E37         | WH502AS5/<br>WH502AS6     | 5.1-5.7               | 0.5(2->3)<br>1.0(3->1)  | 20(3->2)<br>38(1->3) | 1.3        | -55 +85                    | 10             | GWB            |
| E38             | WH502AS7                  | 5.2-5.7               | 0.4(1->2)<br>0.7(2->3)  | 20(2->1)<br>39(3->2) | 1.25       | -55 ~ +85                  | 10             | GWB            |
| E39             | WH902AS10                 | 8-12                  | 0.6(2->1)<br>1.2(3->2)  | 16(1->3)<br>30(2->3) | 1.3        | -55 ~ +85                  | 20             | GWB            |
| E40             | WH1202AS1                 | 11.5-13.5             | 0.6(1->2)<br>1.1(2->3)  | 18(2->1)<br>30(3->2) | 1.3        | -55 +85                    | 10             | GWB            |
| E41             | WH1502AS4-1               | 15.5-17.9             | 0.65(2->1)<br>1.1(1->3) | 18(1->2)<br>30(3->1) | 1.3        | -55 ~ +85                  | 10             | GWB            |
| E42/E43         | WH1502AS8/<br>WH1502AS12  | 15.7-17.7             | 0.6(1->2)<br>1.1(2->3)  | 18(2->1)<br>30(3->2) | 1.3        | -55 ~ +85                  | 20             | GWB            |
| E44             | WH1502AS10/<br>WH1502AS14 | 14.5-16               | 0.6(1->2)<br>1.2(2->3)  | 17(2->1)<br>30(3->2) | 1.3        | -55 +85                    | 10             | GWB            |
| E45/E46         | WH1502AS18                | 14-18                 | 0.8(1->2)<br>1.5(2->3)  | 15(2->1)<br>30(3->2) | 1.45       | -55 +85                    | 20             | GWB            |
| E47             | WH1602AS                  | 16.4-17.2             | 0.5(1->2)<br>0.9(2->3)  | 23(2->1)<br>23(3->1) | 1.25       | -55 ~ +85                  | 10             | GWB            |

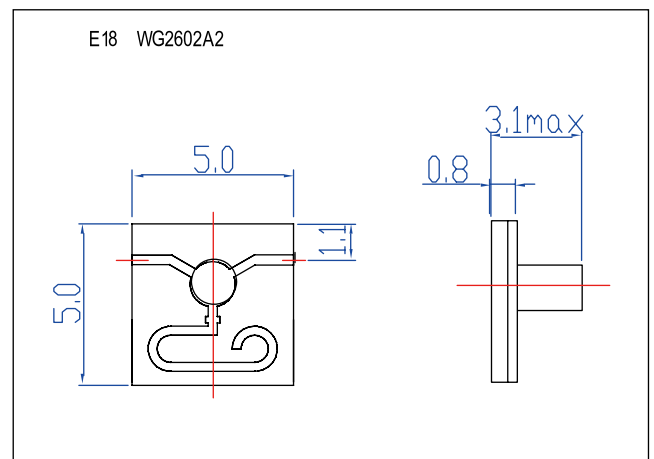
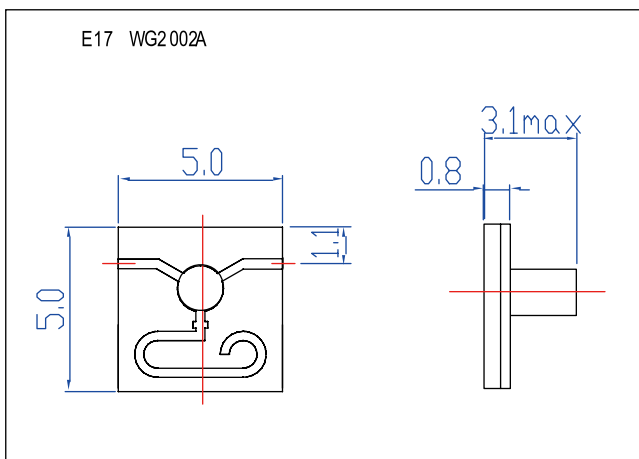
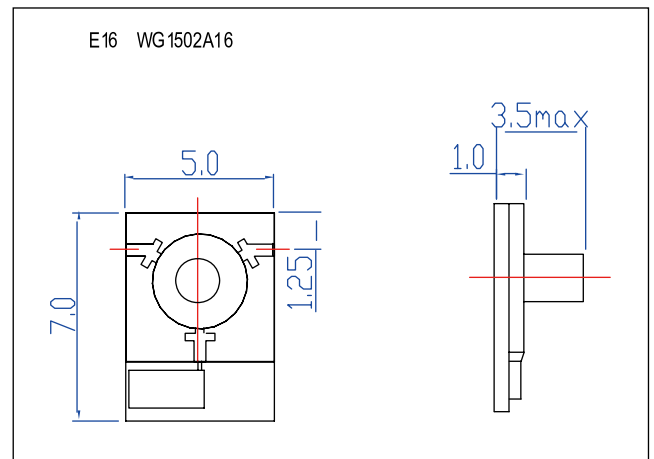
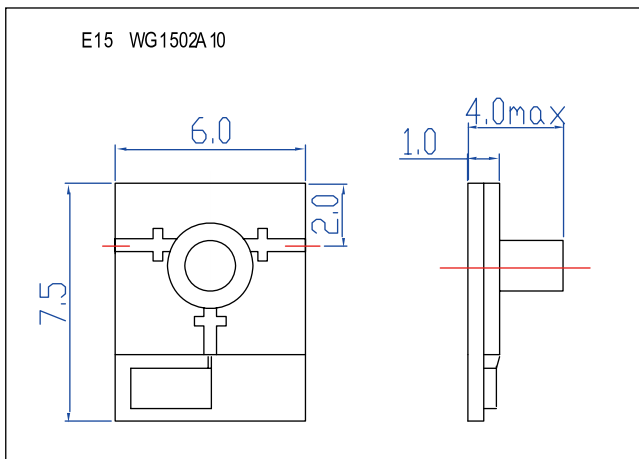
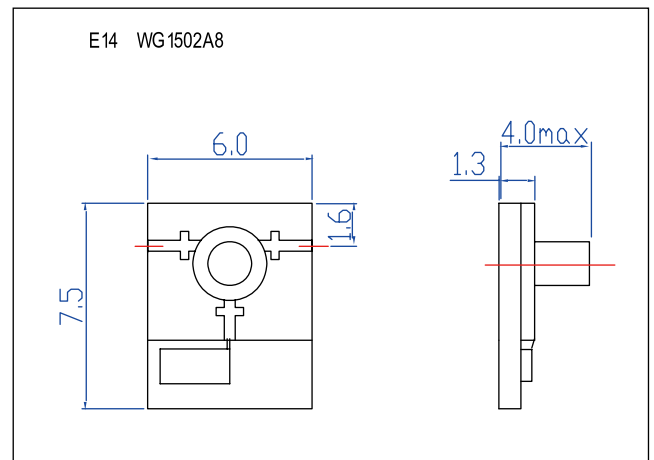
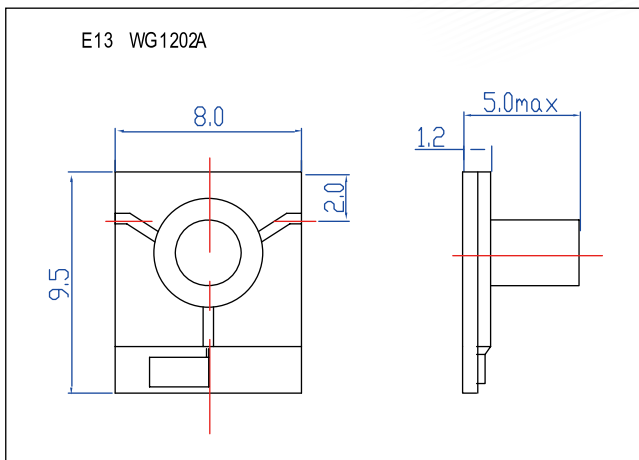
Note All the specifications above are at room temperature (25 °C±5 °C)



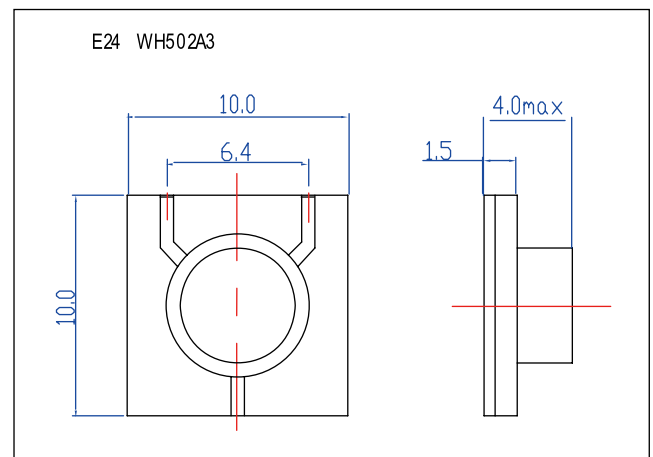
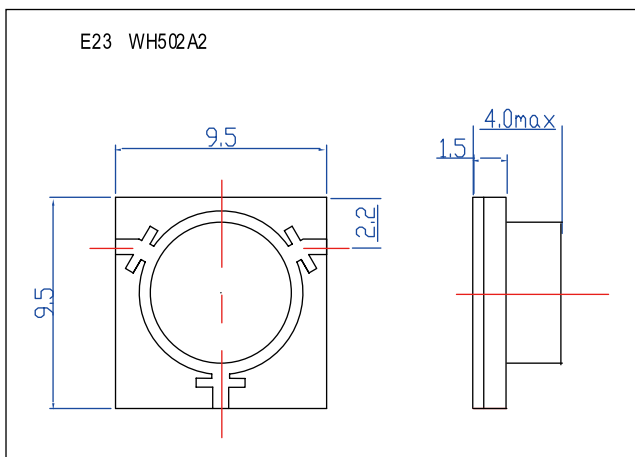
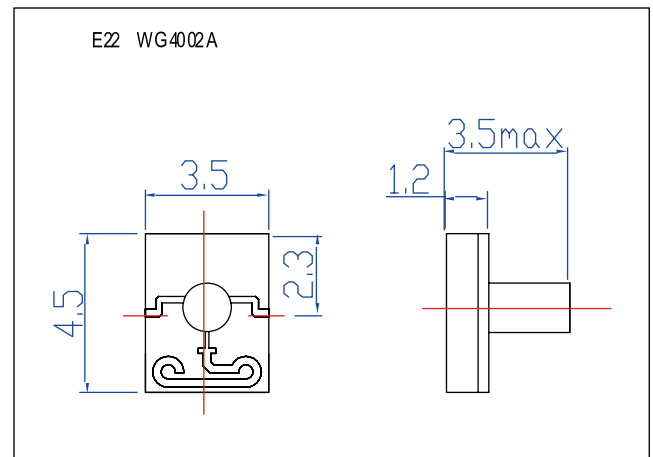
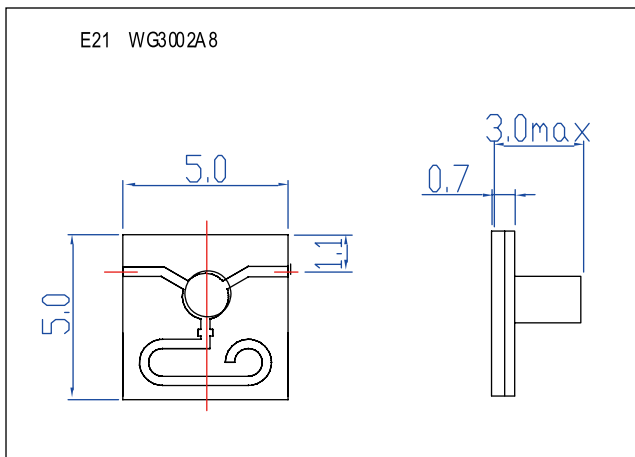
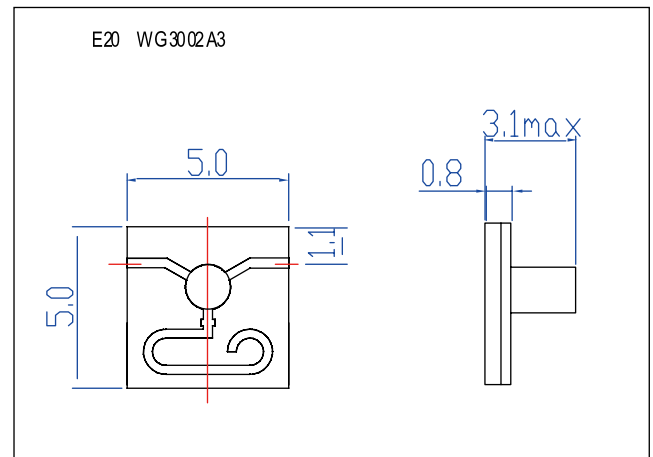
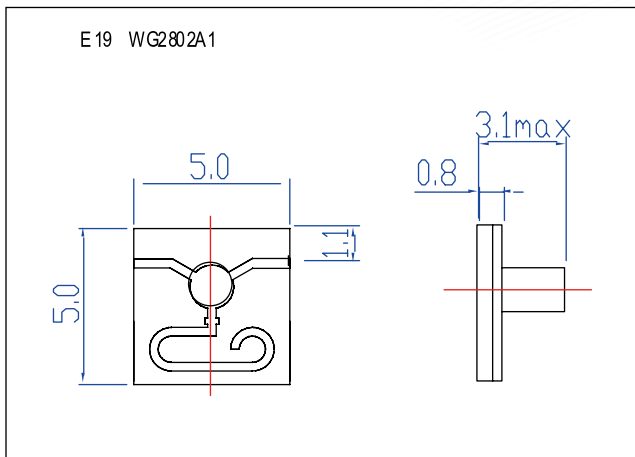
Note All dimensions are in mm



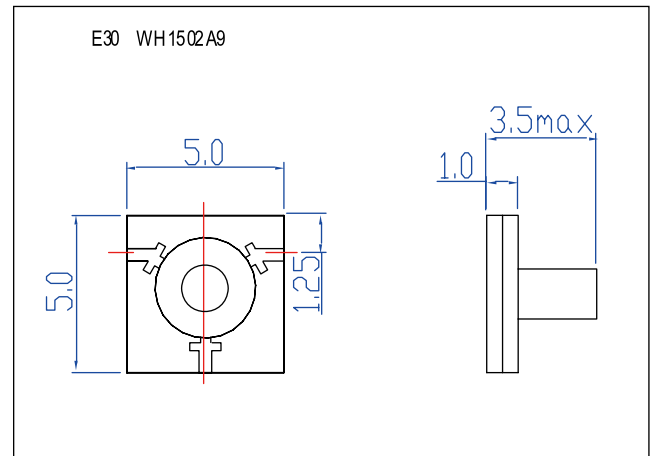
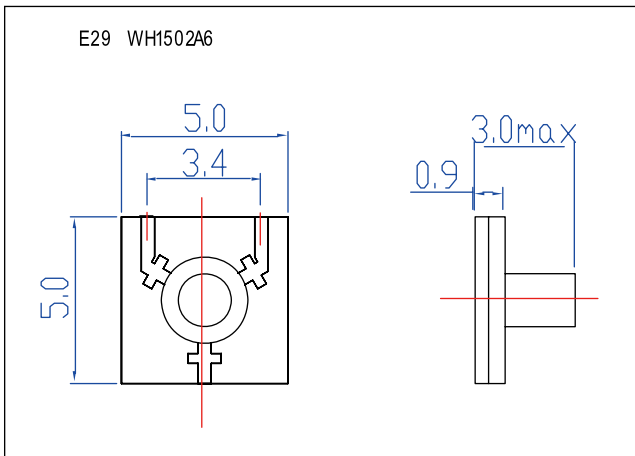
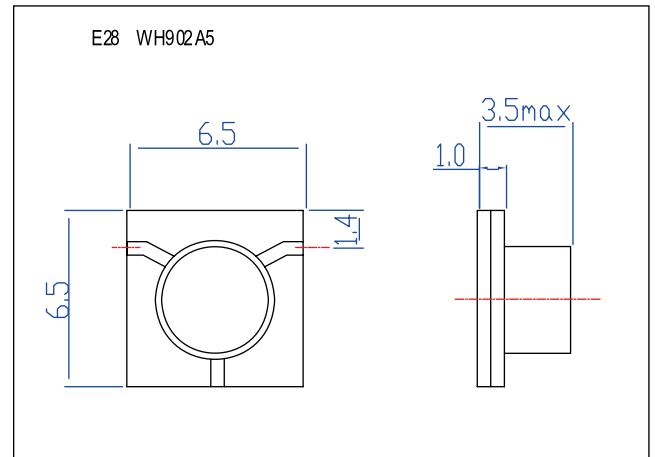
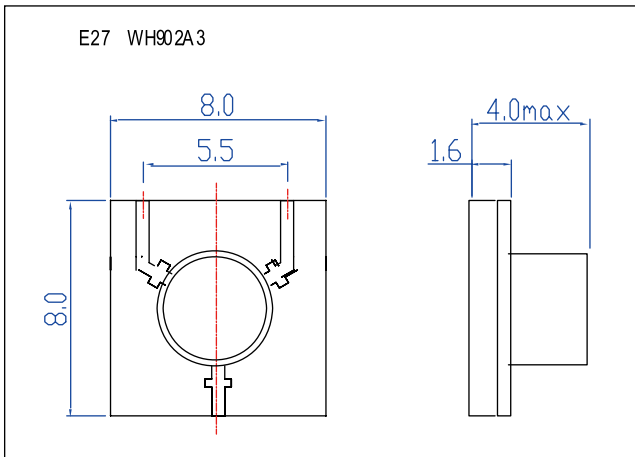
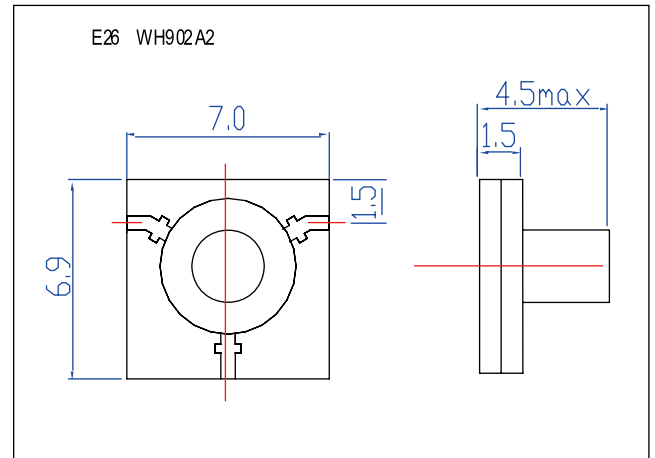
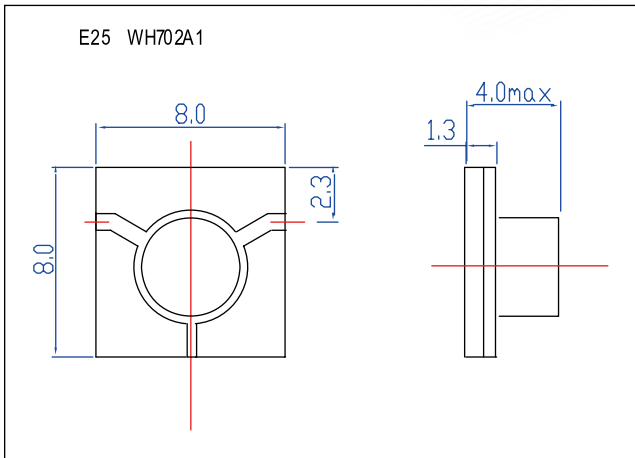
Note All dimensions are in mm



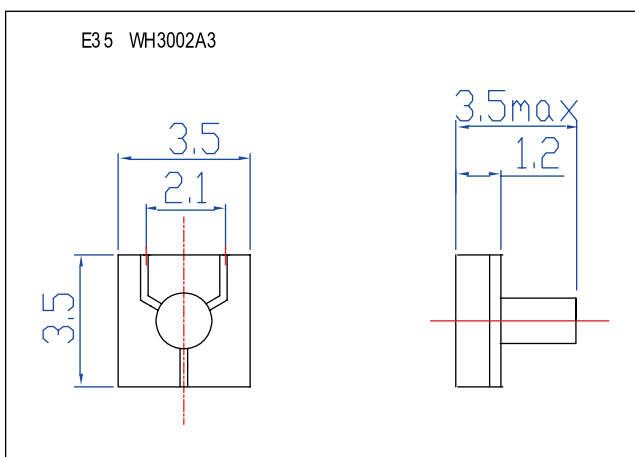
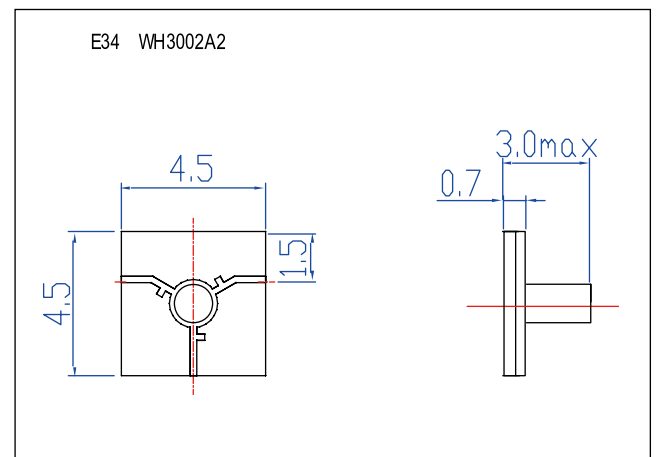
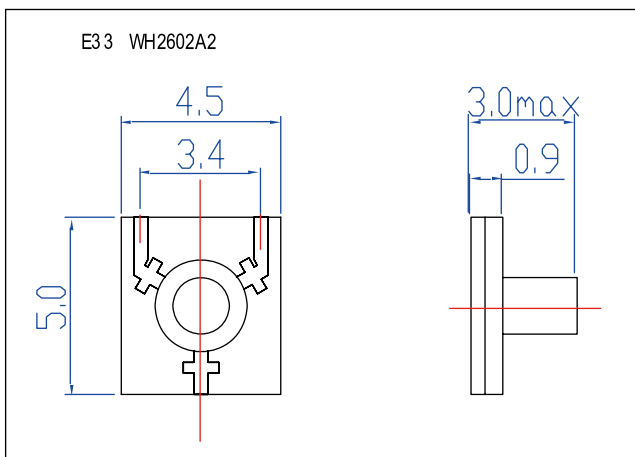
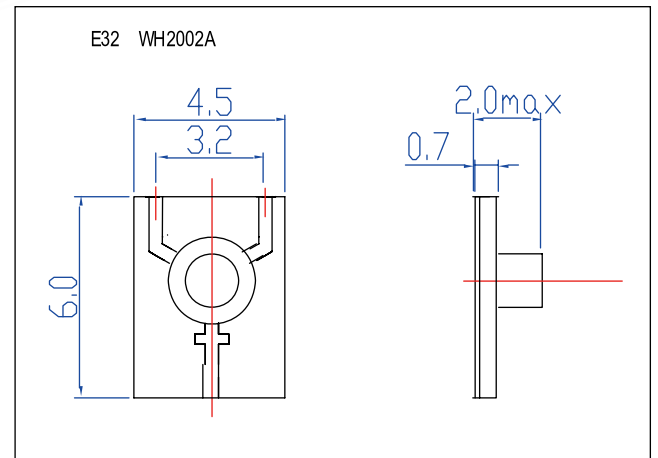
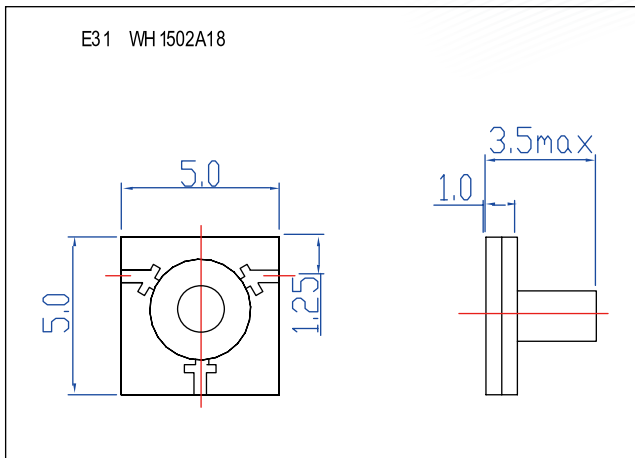
Note All dimensions are in mm



Note All dimensions are in mm

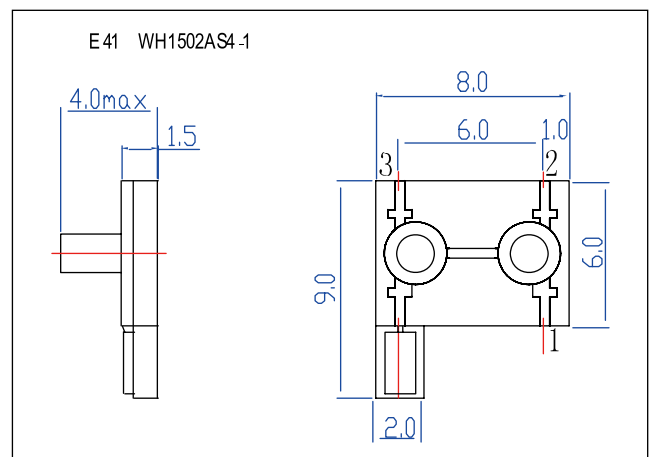
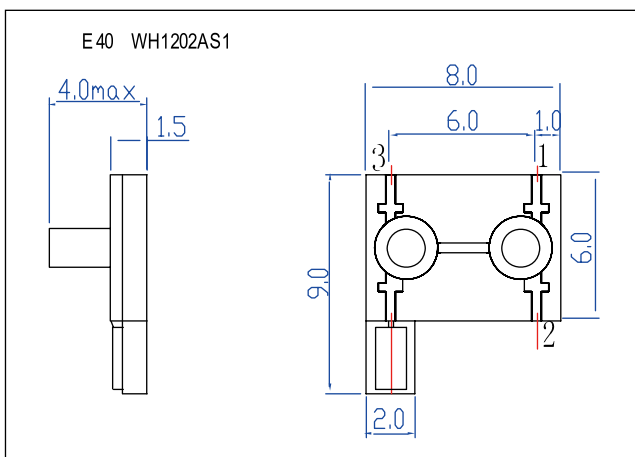
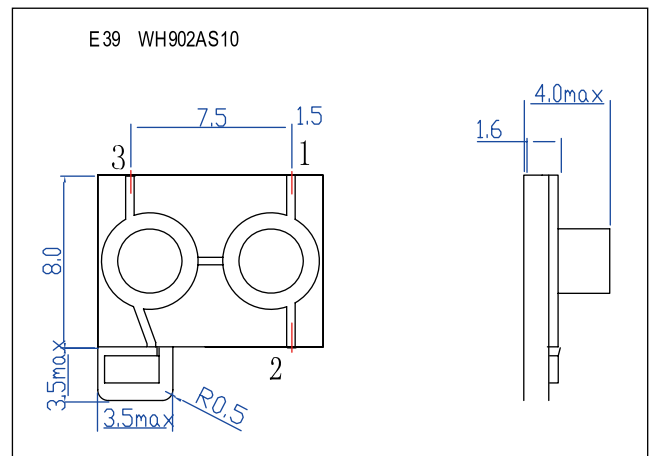
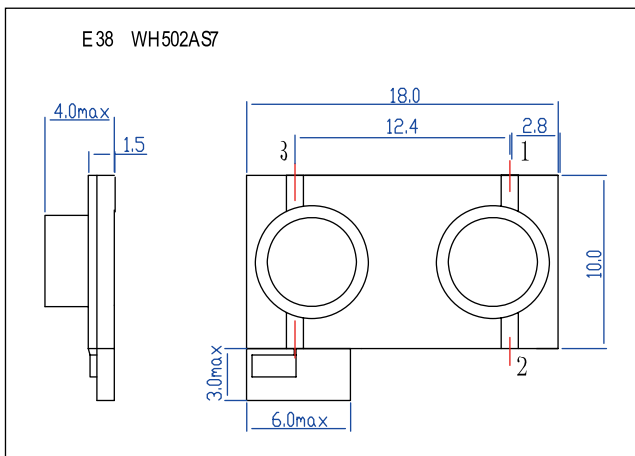
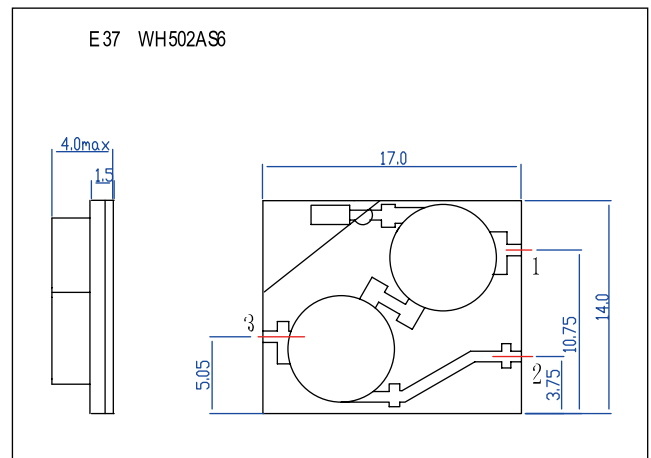
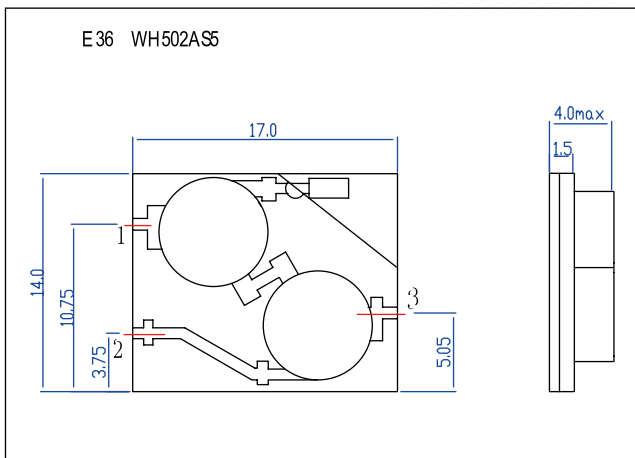


Note All dimensions are in mm

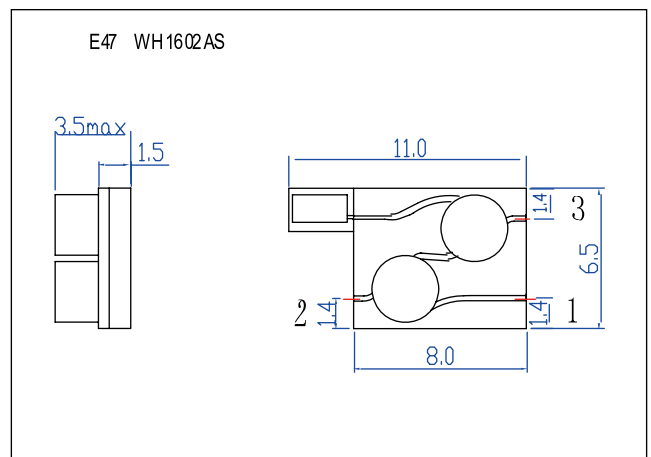
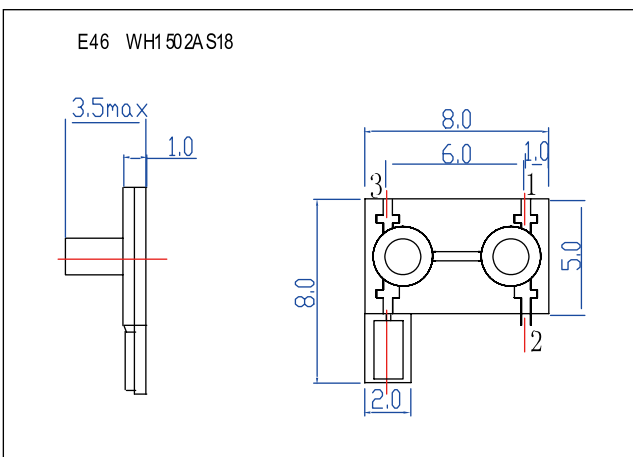
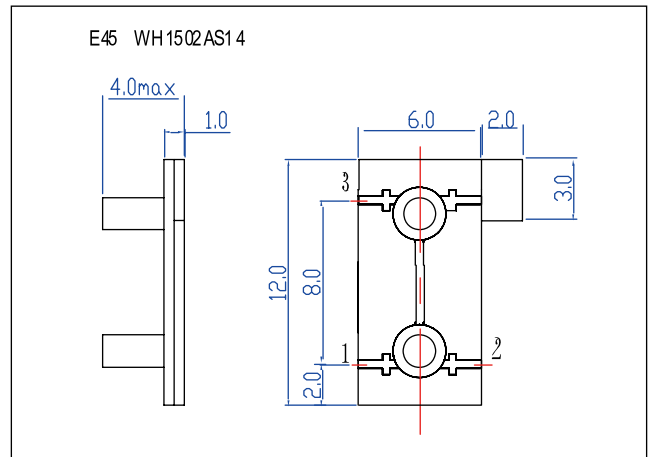
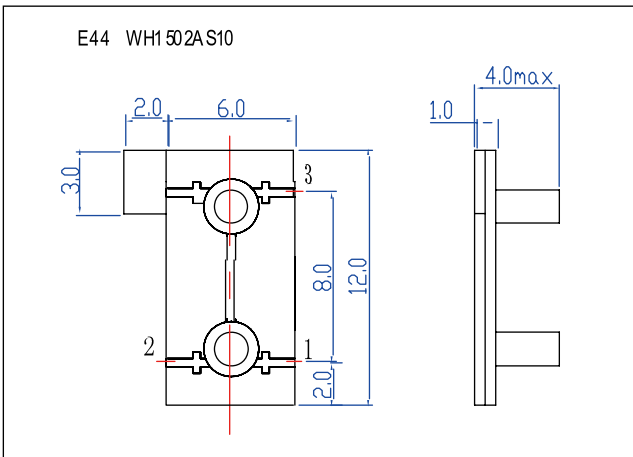
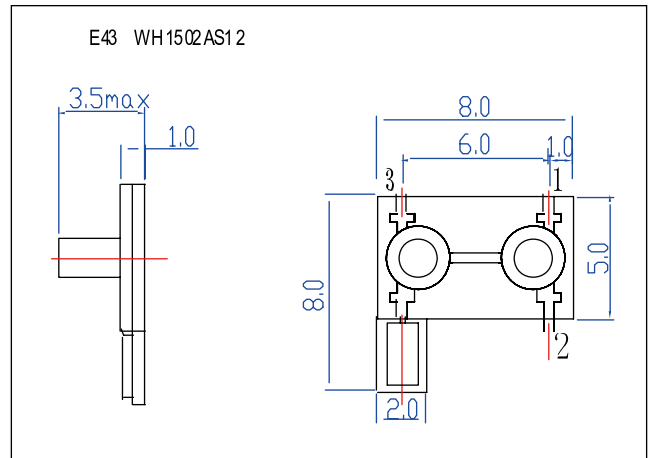
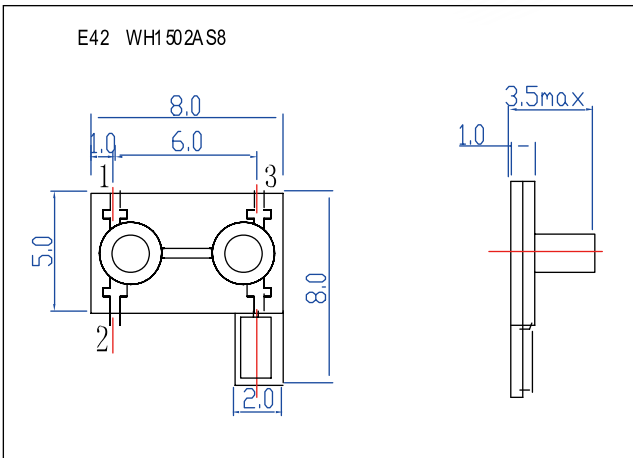


Note All dimensions are in mm





Note All dimensions are in mm



Note All dimensions are in mm