



Micro-strip Series (Single)

1/10

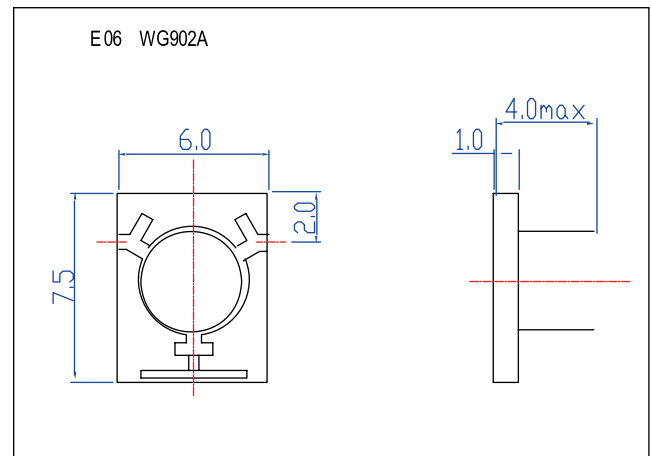
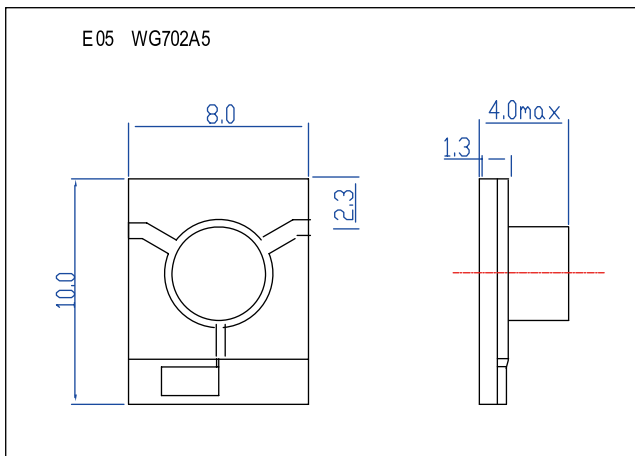
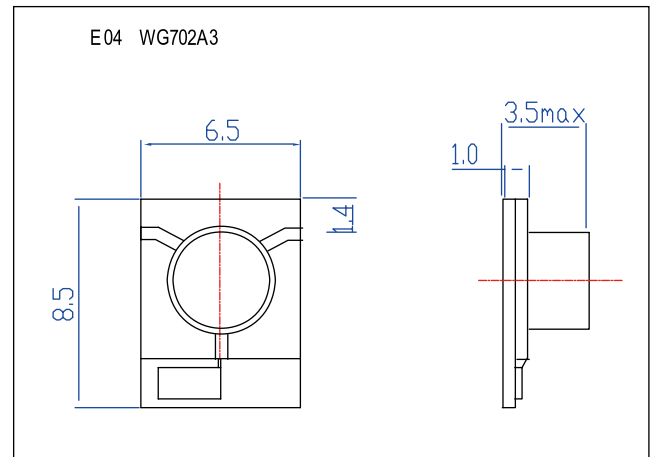
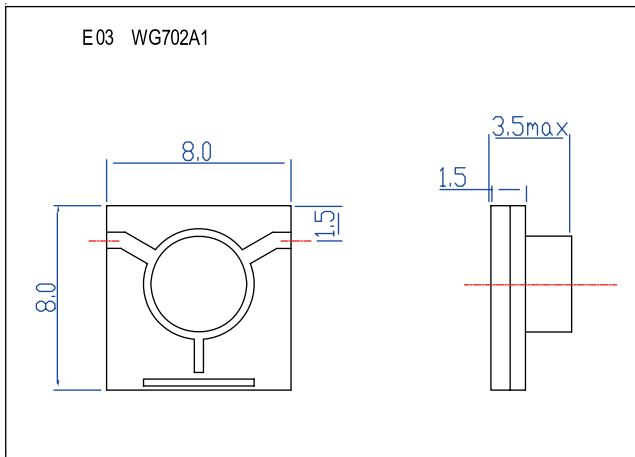
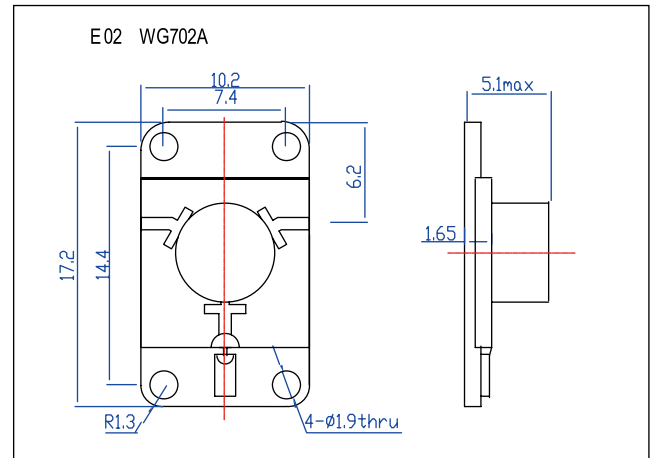
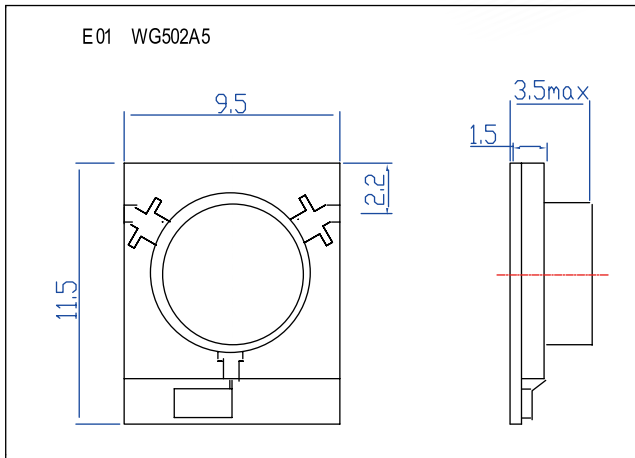
| Outline Drawing | Part Number | Frequency Range (GHz) | Insertion Loss (dB Max) | Isolation (dB Min) | VSWR (Max) | Operating Temperature (°C) | Load Power (W) | Connector Type |
|-----------------|-------------|-----------------------|-------------------------|--------------------|------------|----------------------------|----------------|----------------|
| E01 | WG502A5 | 5.0-6.0 | 0.5 | 18 | 1.25 | -55 ~ +85 | 10 | GWB |
| E02 | WG702A | 7.1-8.5 | 0.5 | 20 | 1.35 | -55 ~ +85 | 10 | GWB |
| E03 | WG702A1 | 7-7.5 | 0.5 | 20 | 1.25 | -55 ~ +85 | 0.5 | GWB |
| E04 | WG702A3 | 7-8.5 | 0.6 | 18 | 1.3 | -55 ~ +85 | 10 | GWB |
| E05 | WG702A5 | 5.8-7.2 | 0.5 | 18 | 1.25 | -55 ~ +85 | 10 | GWB |
| E06 | WG902A | 8.8-9.8 | 0.5 | 20 | 1.25 | -55 ~ +85 | 0.5 | GWB |
| E07 | WG902A2 | 11.9-12.2 | 0.5 | 20 | 1.25 | -55 ~ +85 | 0.5 | GWB |
| E08 | WG902A3 | 10.5-10.9 | 0.5 | 20 | 1.25 | -55 ~ +85 | 10 | GWB |
| E09 | WG902A7 | 8.5-10.5 | 0.5 | 18 | 1.25 | -55 ~ +85 | 20 | GWB |
| E10 | WG902A11 | 13-15 | 0.6 | 18 | 1.3 | -55 ~ +85 | 0.5 | GWB |
| E11 | WG902A12 | 8.5-10.5 | 0.5 | 18 | 1.3 | -55 ~ +85 | 0.5 | GWB |
| E12 | WG902A19 | 8-12 | 0.6 | 17 | 1.35 | -55 ~ +85 | 10 | GWB |
| E13 | WG1202A | 8-18 | 1.2 | 11 | 1.6 | -55 ~ +85 | 5 | GWB |
| E14 | WG1502A8 | 16-17 | 0.6 | 18 | 1.3 | -55 ~ +85 | 10 | GWB |
| E15 | WG1502A10 | 14.2-16 | 0.6 | 17 | 1.35 | -55 ~ +85 | 10 | GWB |
| E16 | WG1502A16 | 12-17 | 0.8 | 15 | 1.45 | -55 ~ +85 | 10 | GWB |
| E17 | WG2002A | 18.2-21.2 | 0.8 | 17 | 1.4 | -55 ~ +85 | 0.5 | GWB |
| E18 | WG2602A2 | 24.5-28.35 | 1.2 | 18 | 1.4 | -55 ~ +85 | 0.5 | GWB |
| E19 | WG2802A1 | 29-31 | 1.2 | 18 | 1.4 | -55 ~ +85 | 0.5 | GWB |
| E20 | WG3002A3 | 32-36 | 1.3 | 15 | 1.5 | -55 ~ +85 | 0.5 | GWB |
| E21 | WG3002A8 | 30.4-33.4 | 1.2 | 15 | 1.4 | -55 ~ +85 | 0.5 | GWB |
| E22 | WG4002A | 43.5-45.5 | 1.5 | 15 | 1.5 | -55 ~ +85 | 0.5 | GWB |
| E23 | WH502A2 | 5.0-6.0 | 0.6 | 17 | 1.35 | -55 ~ +85 | / | GWB |
| E24 | WH502A3 | 5.2-5.9 | 0.5 | 18 | 1.3 | -55 ~ +85 | / | GWB |
| E25 | WH702A1 | 6.5-7.1 | 0.5 | 18 | 1.3 | -55 ~ +85 | / | GWB |
| E26 | WH902A2 | 8.6-10.6 | 0.6 | 17 | 1.35 | -55 ~ +85 | / | GWB |
| E27 | WH902A3 | 8-12 | 0.6 | 17 | 1.35 | -55 ~ +85 | / | GWB |
| E28 | WH902A5 | 8-12 | 0.6 | 16 | 1.4 | -55 ~ +85 | / | GWB |
| E29 | WH1502A6 | 14-18 | 0.7 | 16 | 1.4 | -55 ~ +85 | / | GWB |
| E30 | WH1502A9 | 12-17 | 0.8 | 15 | 1.45 | -55 ~ +85 | / | GWB |
| E31 | WH1502A18 | 14.5-15.5 | 0.5 | 20 | 1.25 | -55 ~ +85 | / | GWB |
| E32 | WH2002A | 19.5-23 | 0.8 | 15 | 1.4 | -55 ~ +85 | / | GWB |
| E33 | WH2602A2 | 24.5-26.5 | 1 | 16 | 1.4 | -55 ~ +85 | / | GWB |
| E34 | WH3002A2 | 34-36 | 1.2 | 16 | 1.4 | -55 ~ +85 | / | GWB |
| E35 | WH3002A3 | 34-36 | 1.2 | 16 | 1.4 | -55 ~ +85 | / | GWB |

Note All the specifications above are at room temperature(25°C±5°C)

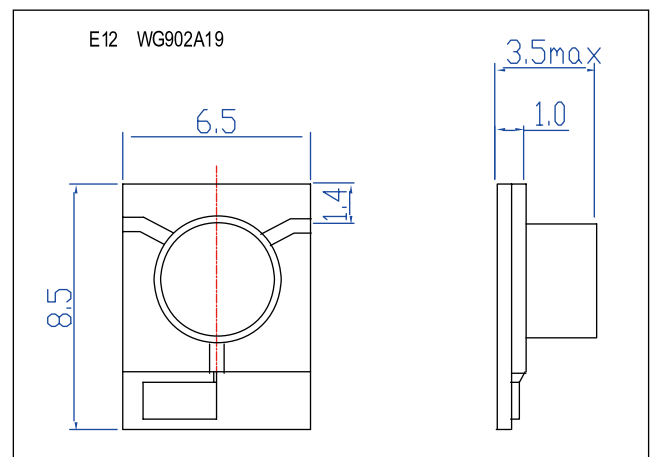
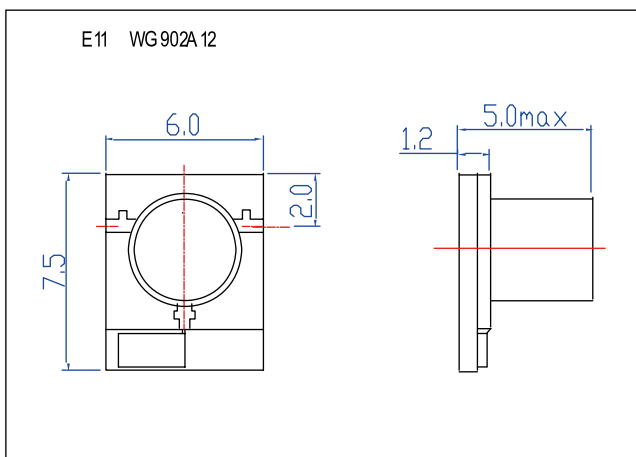
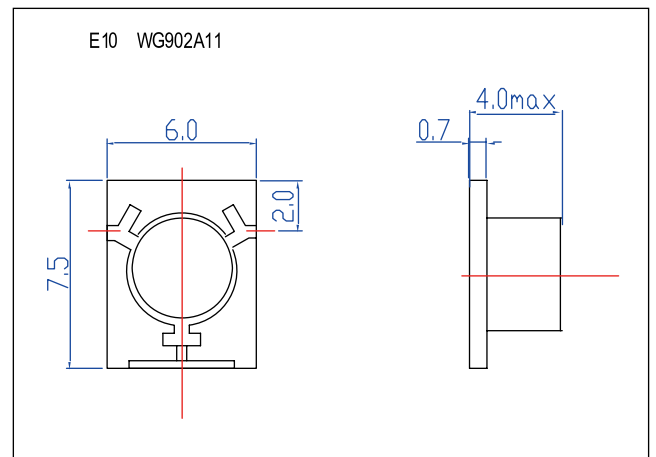
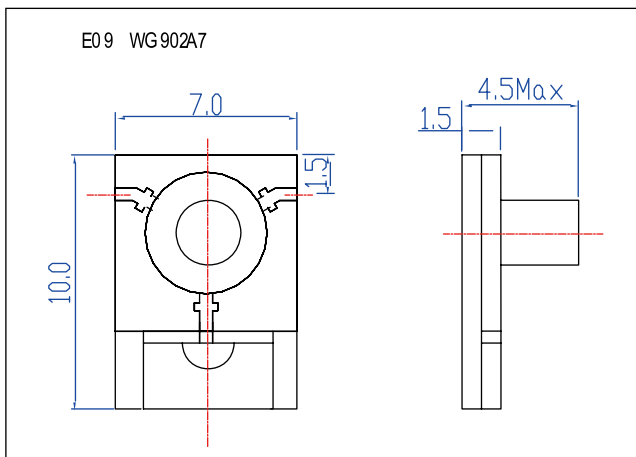
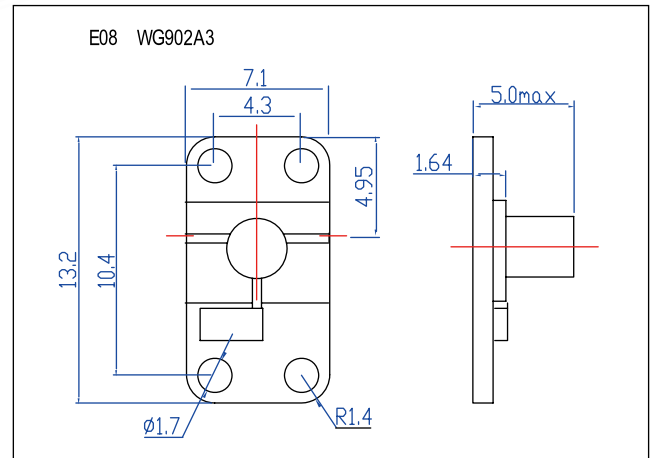
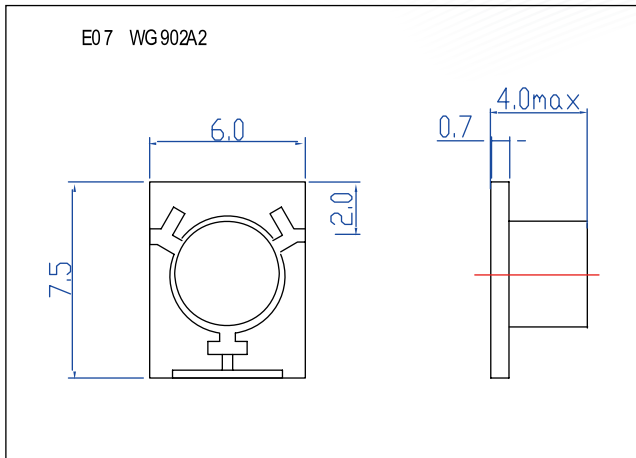


| Outline Drawing | Part Number | Frequency Range (GHz) | Insertion Loss (dB Max) | Isolation (dB Min) | VSWR (Max) | Operating Temperature (°C) | Load Power (W) | Connector Type |
|-----------------|---------------------------|-----------------------|-------------------------|----------------------|------------|----------------------------|----------------|----------------|
| E36/E37 | WH502AS5/ WH502AS6 | 5.1-5.7 | 0.5(2->3) 1.0(3->1) | 20(3->2) 38(1->3) | 1.3 | -55 +85 | 10 | GWB |
| E38 | WH502AS7 | 5.2-5.7 | 0.4(1->2) 0.7(2->3) | 20(2->1) 39(3->2) | 1.25 | -55 ~ +85 | 10 | GWB |
| E39 | WH902AS10 | 8-12 | 0.6(2->1) 1.2(3->2) | 16(1->3) 30(2->3) | 1.3 | -55 ~ +85 | 20 | GWB |
| E40 | WH1202AS1 | 11.5-13.5 | 0.6(1->2) 1.1(2->3) | 18(2->1) 30(3->2) | 1.3 | -55 +85 | 10 | GWB |
| E41 | WH1502AS4-1 | 15.5-17.9 | 0.65(2->1) 1.1(1->3) | 18(1->2) 30(3->1) | 1.3 | -55 ~ +85 | 10 | GWB |
| E42/E43 | WH1502AS8/ WH1502AS12 | 15.7-17.7 | 0.6(1->2) 1.1(2->3) | 18(2->1) 30(3->2) | 1.3 | -55 ~ +85 | 20 | GWB |
| E44 | WH1502AS10/ WH1502AS14 | 14.5-16 | 0.6(1->2) 1.2(2->3) | 17(2->1) 30(3->2) | 1.3 | -55 +85 | 10 | GWB |
| E45/E46 | WH1502AS18 | 14-18 | 0.8(1->2) 1.5(2->3) | 15(2->1) 30(3->2) | 1.45 | -55 +85 | 20 | GWB |
| E47 | WH1602AS | 16.4-17.2 | 0.5(1->2) 0.9(2->3) | 23(2->1) 23(3->1) | 1.25 | -55 ~ +85 | 10 | GWB |

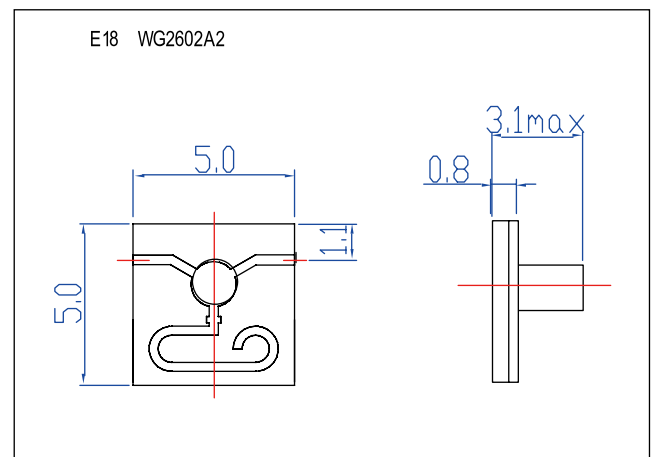
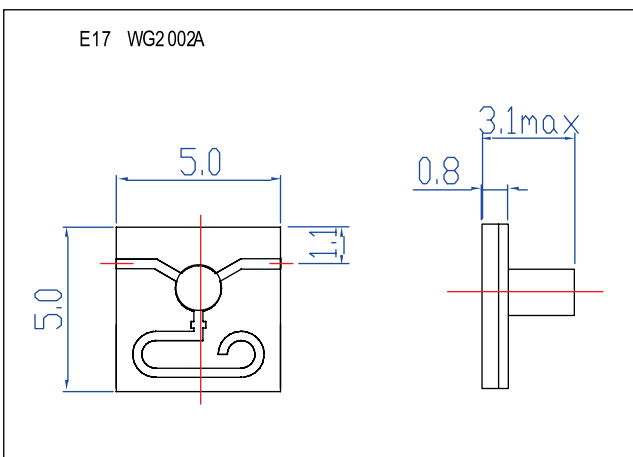
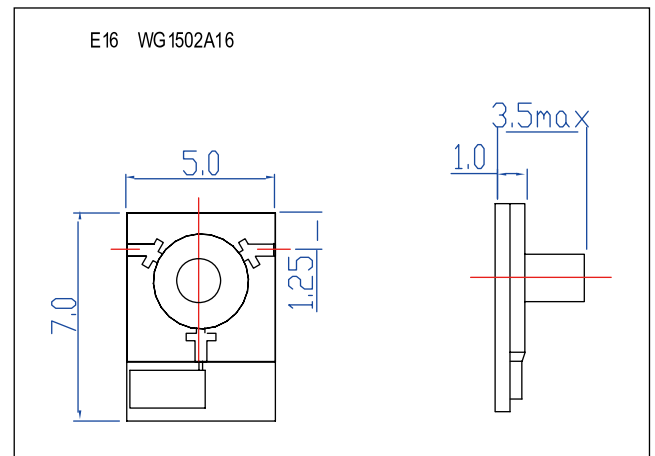
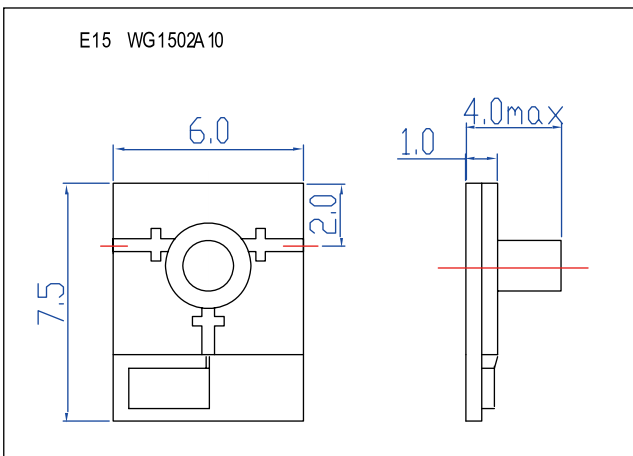
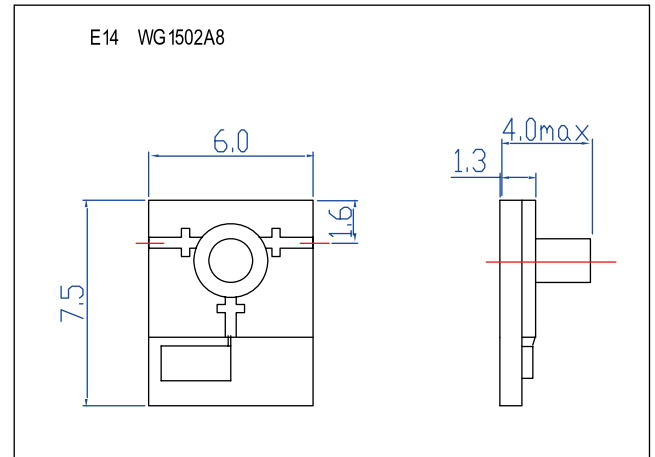
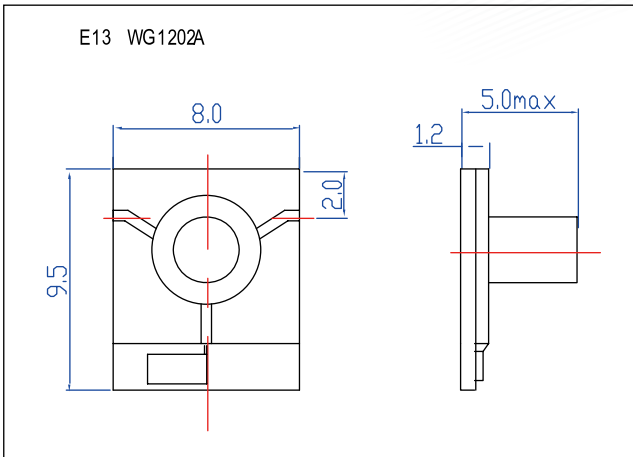
Note All the specifications above are at room temperature (25 °C±5 °C)



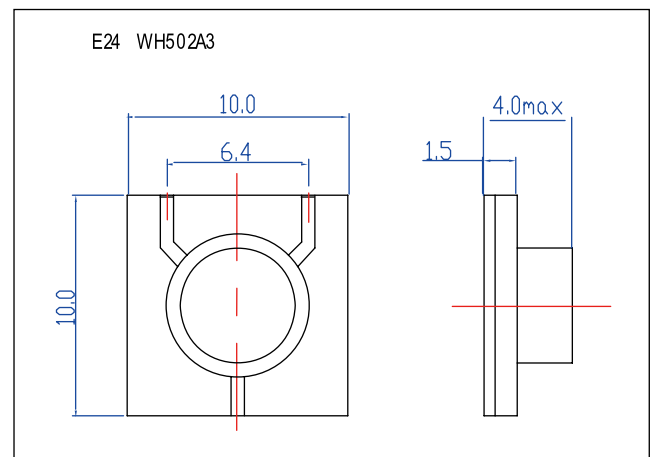
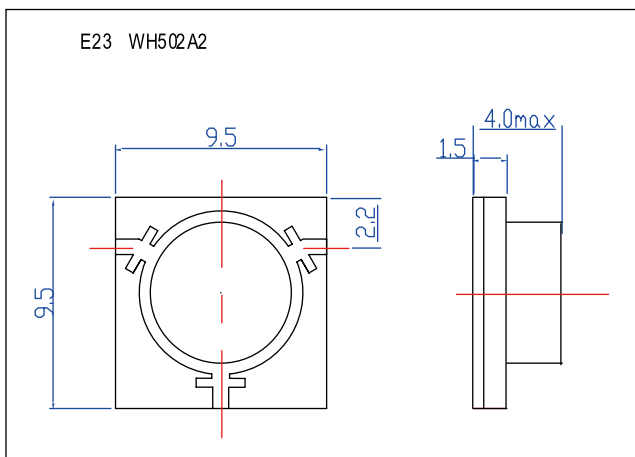
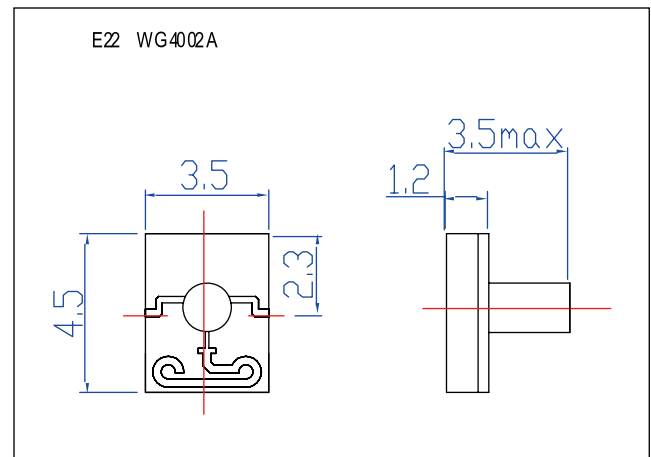
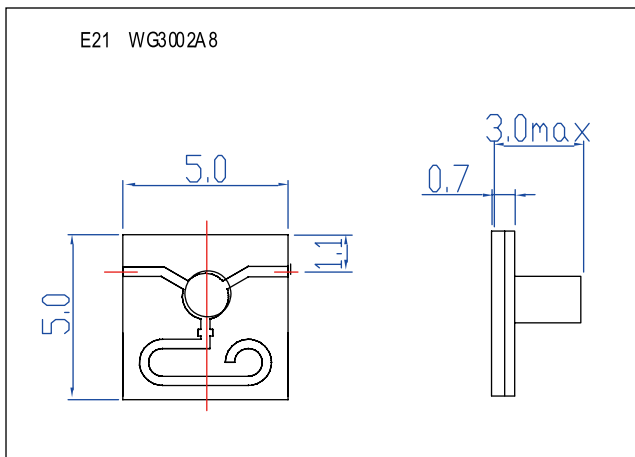
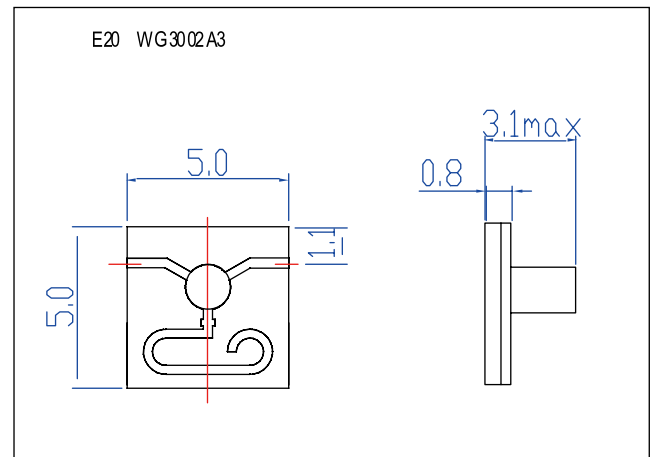
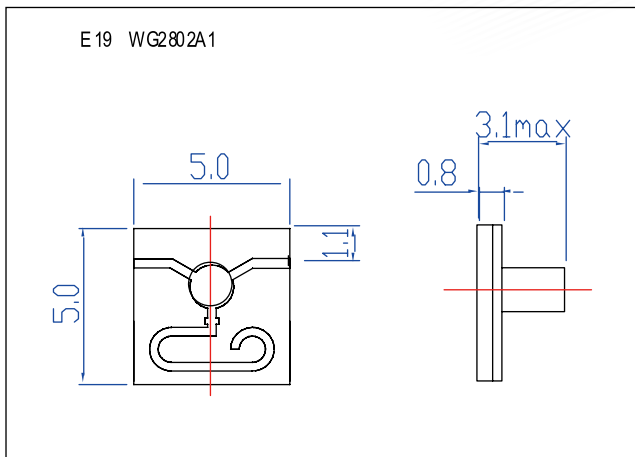
Note All dimensions are in mm



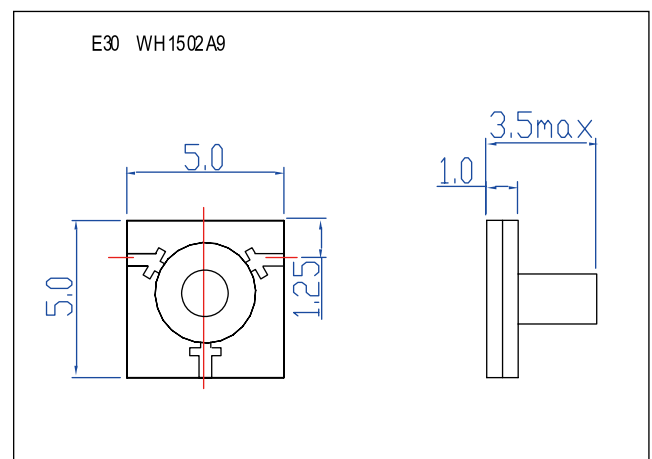
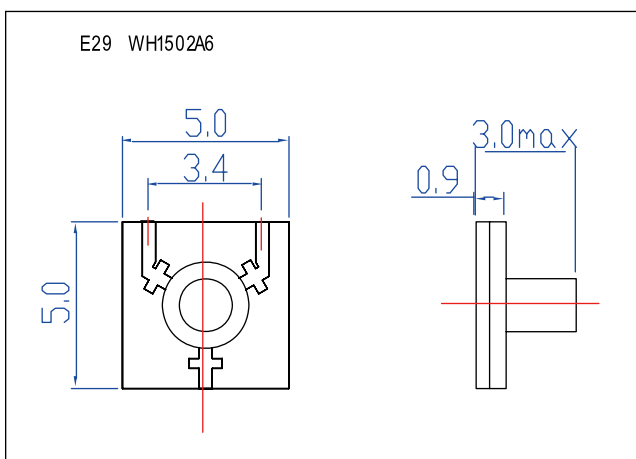
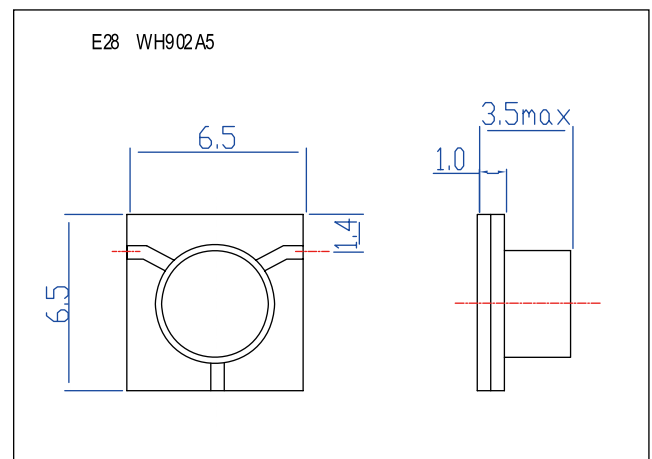
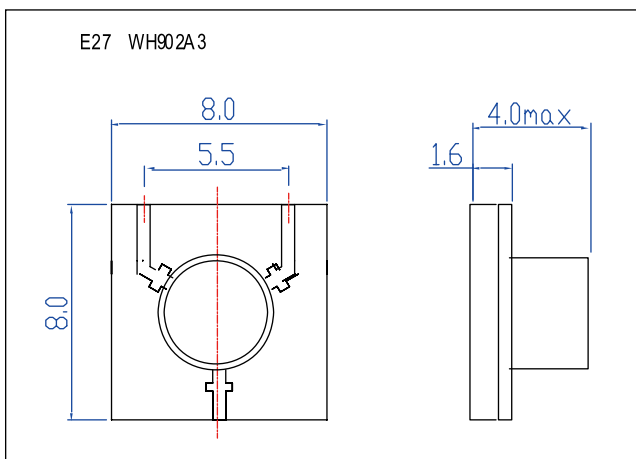
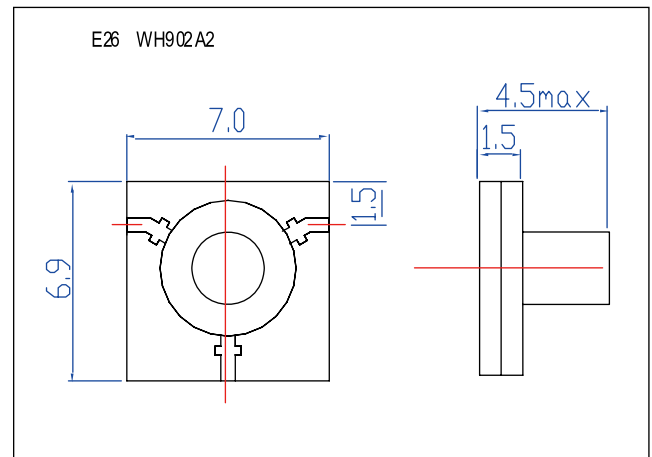
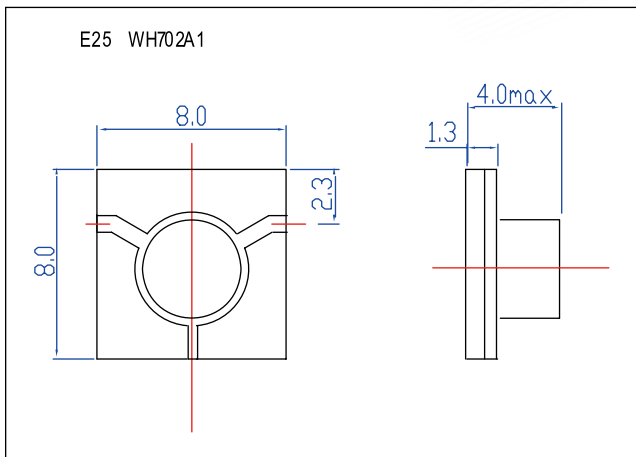
Note All dimensions are in mm



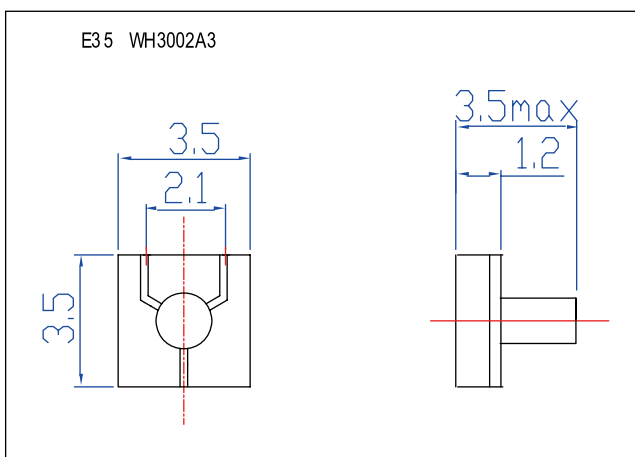
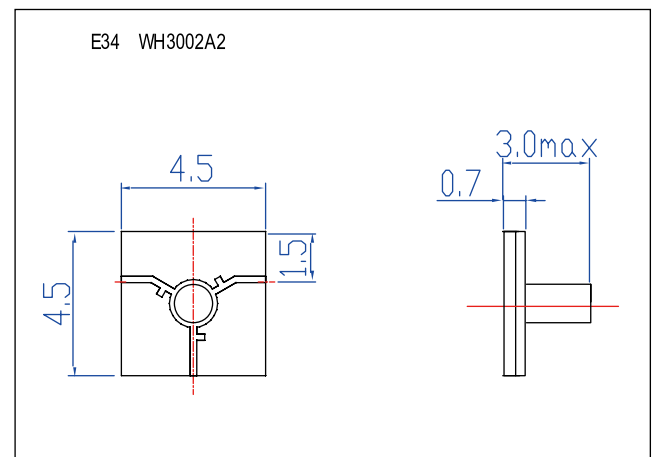
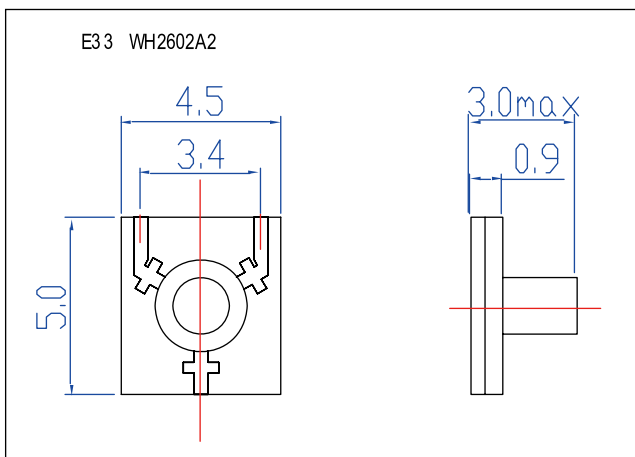
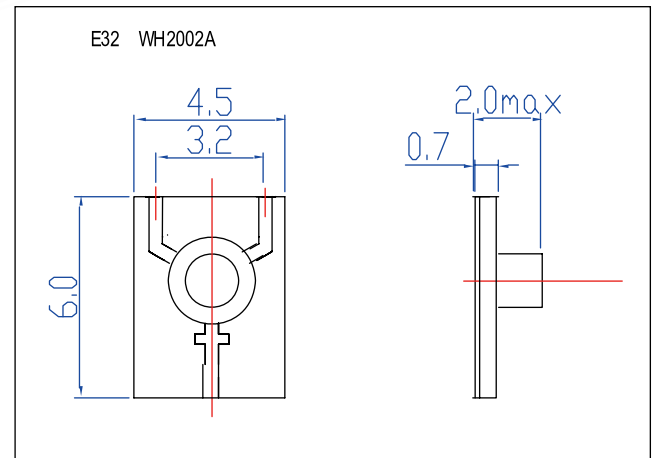
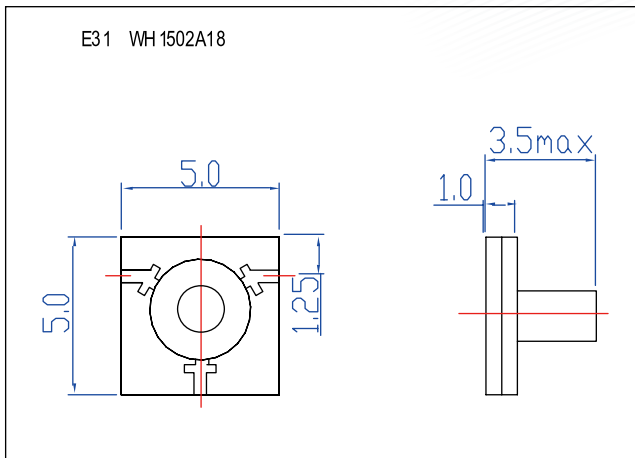
Note All dimensions are in mm



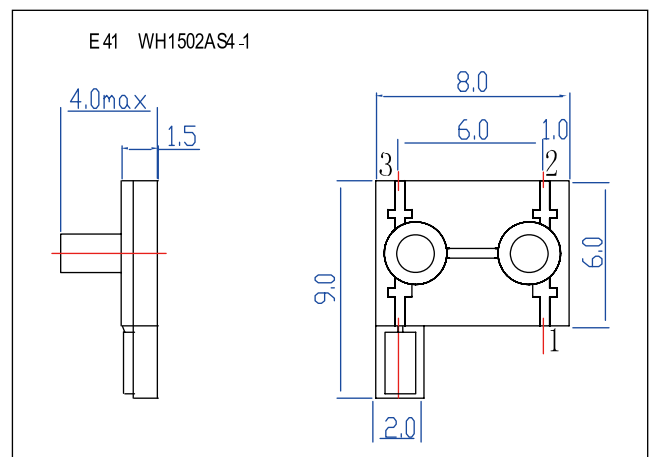
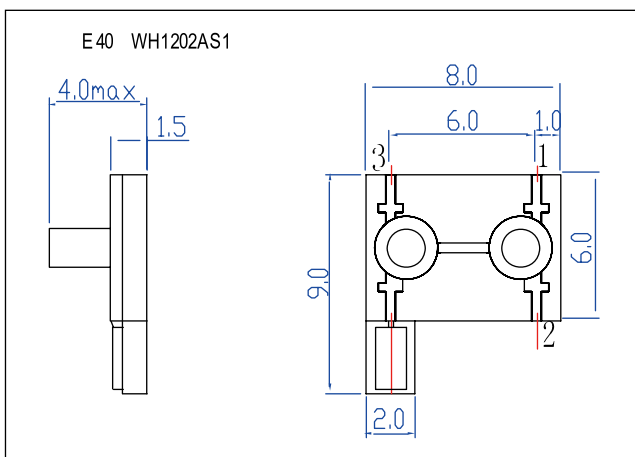
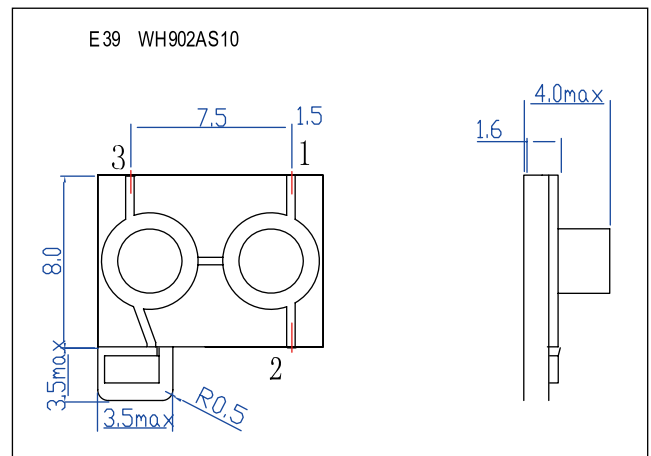
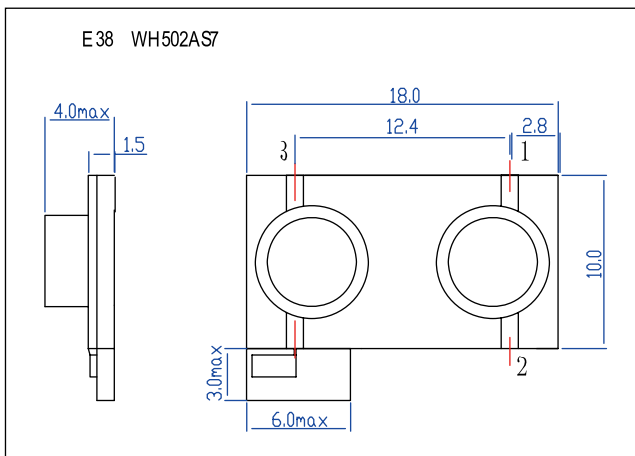
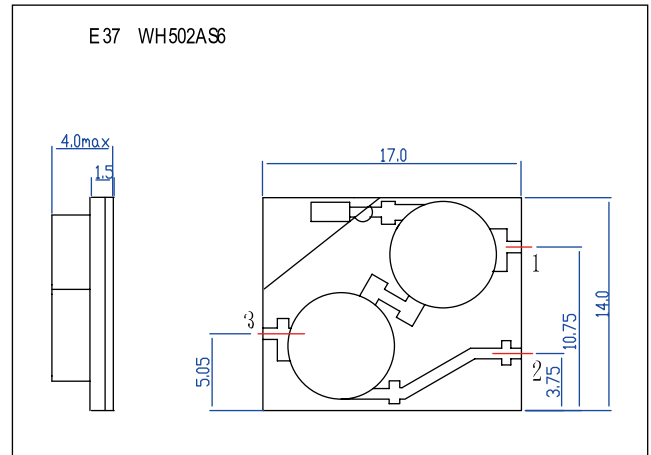
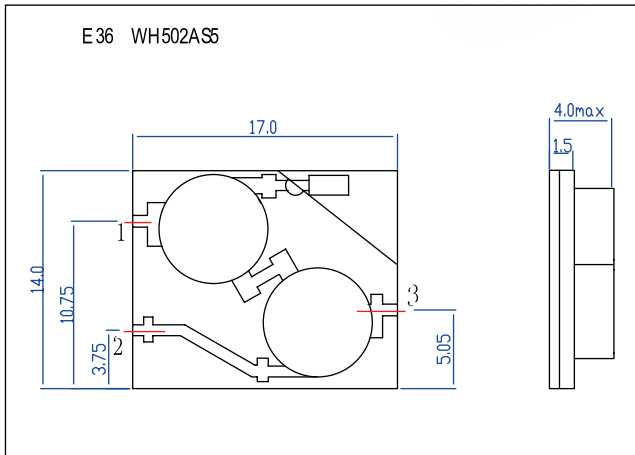
Note All dimensions are in mm



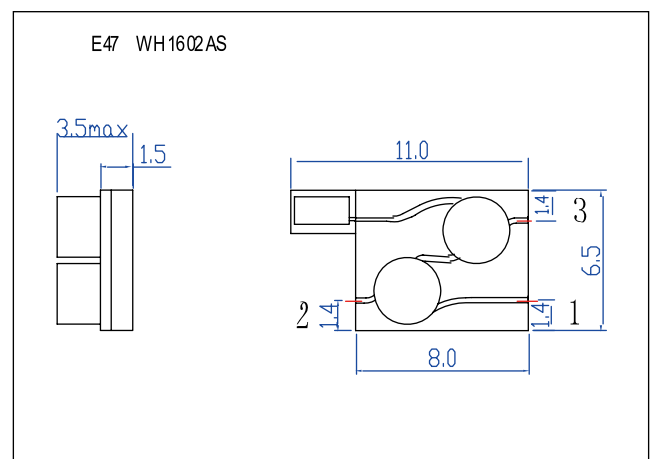
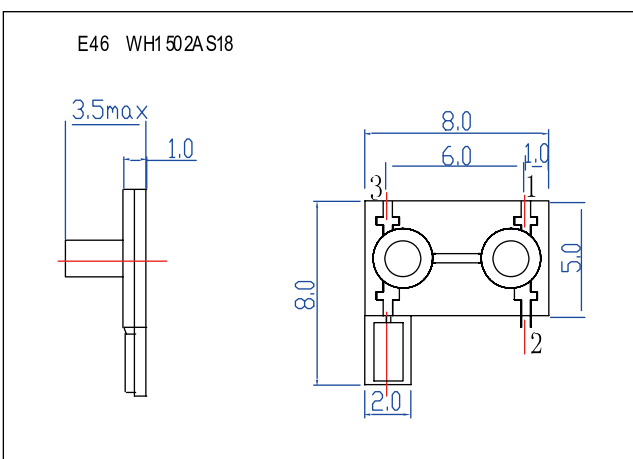
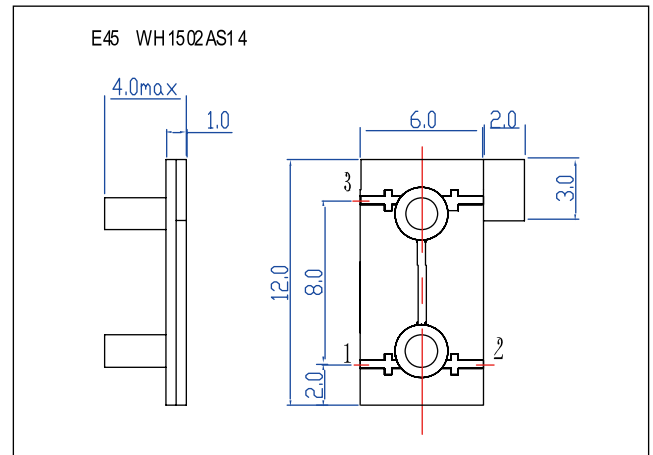
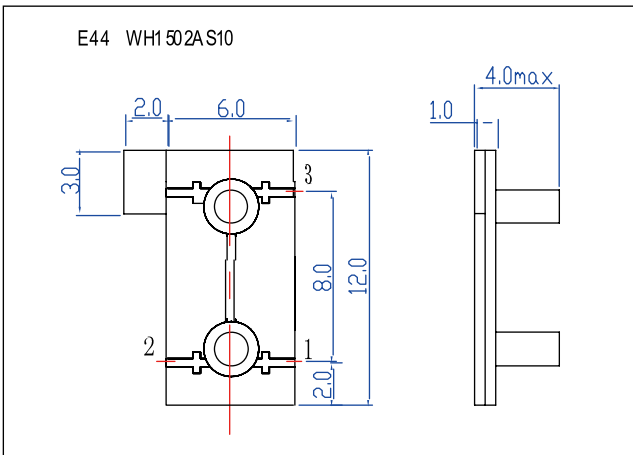
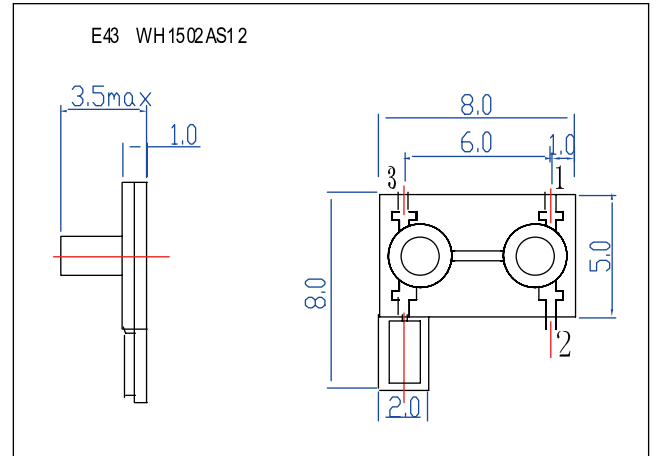
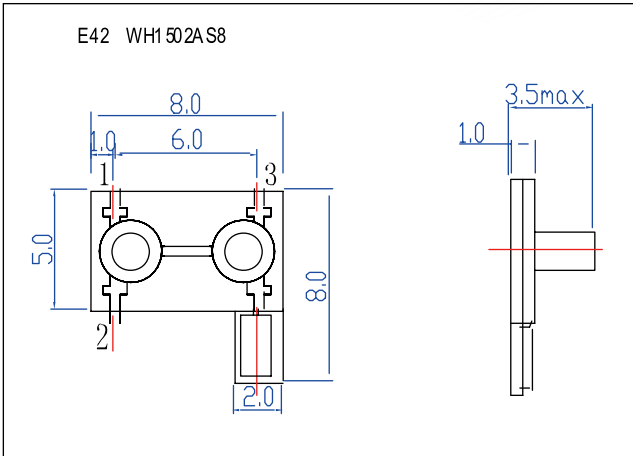
Note All dimensions are in mm



Note All dimensions are in mm



Note All dimensions are in mm



Note All dimensions are in mm