

Horn Antenna

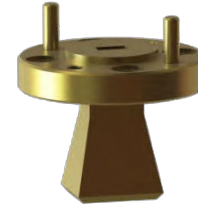
OLB-12-13

This WR-12 standard gain horn antenna has a GAIN(12-14)dBi across the band and a square cover flange. It has a frequency of (60-90.0)GHz .

Standard gain horn antenna OLB-12-13 is known as a waveguide horn covers WG26, WR12,R740 bands. It is manufactured using the precision electrode cut coppersections providing accurate, consistent and reliable performance.

This antenna is suitable for Antenna Ranges ;Antenna Gain Measurements SystemSetups.

HPBW of OLB-12-13 has a V-Plane & H-Plane beam width from 40 degree to 45degree.



Features

- Rectangular Waveguide Interface
- Precisely Machined and Gold Plated
- Linear Polarization
- High Return Loss

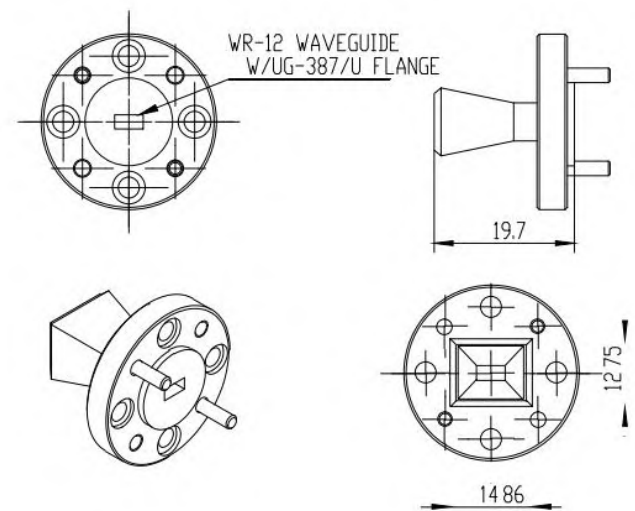
Applications

- Antenna Ranges
- Antenna Gain Measurements
- System Setup

Electrical Specifications

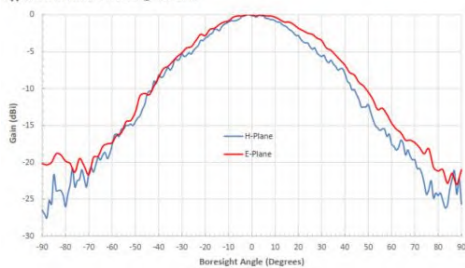
Frequency	(60-90) GHz
Gain	13dBi
Polarization Linear	Linear
3 dB Beamwidth, E-Plane	39°
3 dB Beamwidth, H-Plane	41°
Side Lobes, E-Plane	14dB
Side Lobes, H-Plane	30dB
Return Loss	20dB
Specification Temperature	+25 °C
Operating Temperature	-40 °C — +85 °C

Product Dimensions

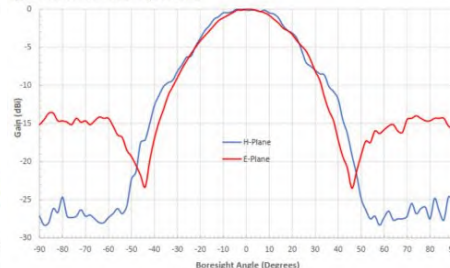


Test

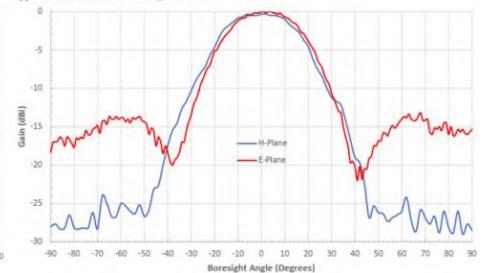
Typical Antenna Pattern @ 60 GHz



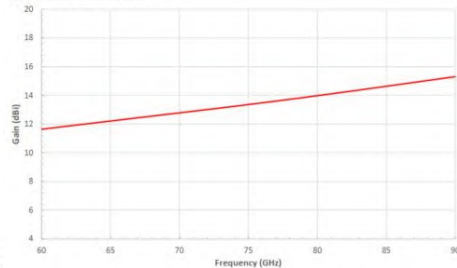
Typical Antenna Pattern @ 77 GHz



Typical Antenna Pattern @ 90 GHz



Typical Gain vs. Frequency



Typical Return Loss vs. Frequency

