

Standard Horn Antenna

OLB-430-15

This WR-430 standard gain horn antenna has a GAIN (14-16)dBi across the band and a circular cover flange. It has a frequency of (1.70-2.60)GHz .

Standard gain horn antenna OLB-430-15 is known as a waveguide horn covers WG8, WR430, R22 bands. It is manufactured using the precision electrode cut copper sections providing accurate, consistent and reliable performance.

This antenna is suitable for Antenna Ranges ; Antenna Gain Measurements; System Setups.

HPBW of OLB-430-15 has a E-Plane & H-Plane beam width from 30 degree to 35degree.



Features

Precisely Machined
Low VSWR
Light Weight
Linear Polarization
Low Return Loss
Rectangular Waveguide Interface
Lower sidelobes and symmetrical radiation patterns

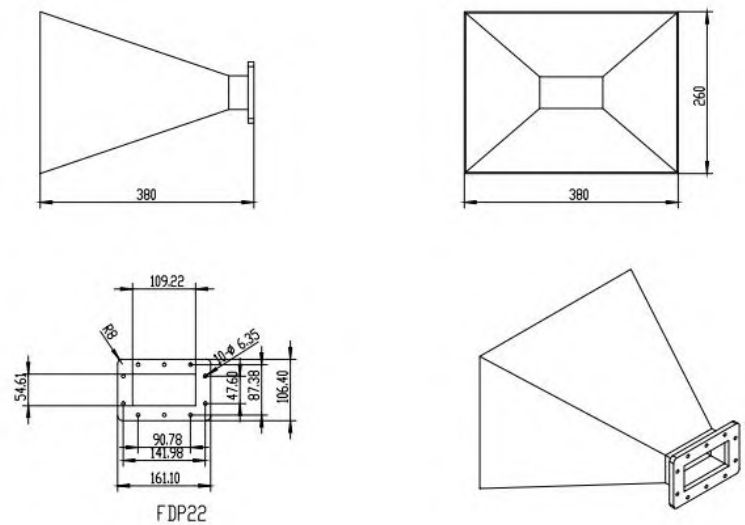
Applications

Antenna Ranges
Antenna Gain Measurements System Setups
Array Elements

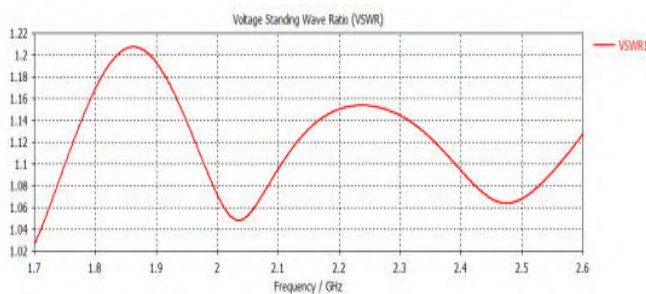
Typical Specifications

Frequency Range(GHz)	1.70-2.60
Gain(dB)	15 Typ.
HPBW	E-Plane30° / H-Plane 30°
Waveguide	WR430
Material	Al
Output	FDP22 N-F or SMA-F or 7/16-F
Size(mm) W x H x L	374x278x300 374x278x400
Net Weight(Kg)	1.7 Around 2.6 Around

PRODUCT DIMENSIONS



VSWR



GAIN

