

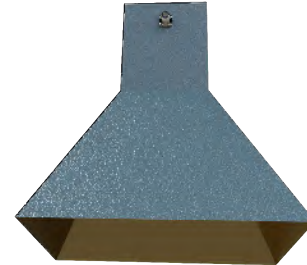
Octave Horn Antenna

OBH-1020-15

The EC' Octave Horn Antenna is a broadband antenna that offers excellent performance over the frequency range of 1.0 GHz to 2.0 GHz. High gain, low VSWR, and input handling capability up to 10 watts make this horn antenna an excellent general use performer.

The antennas offer a very low SWR in their nominal frequency range and a very broad bandwidth. The gain increases with frequency up to approx. 16 dBi, depending on the horn's size and shape. The increasing gain with frequency helps to compensate cable losses.

The EC' Octave Horn Antenna manufacturing process changed from dipbrazing to 100% machining. This allows for a more accurate and repeatable antenna performance that is critical at the higher frequencies.



Features

- Broad Frequency Range of 1 GHz to 2 GHz
- Linearly Polarized High Gain, Low VSWR
- Individually Calibrated
- Linear polarized with high polarization purity

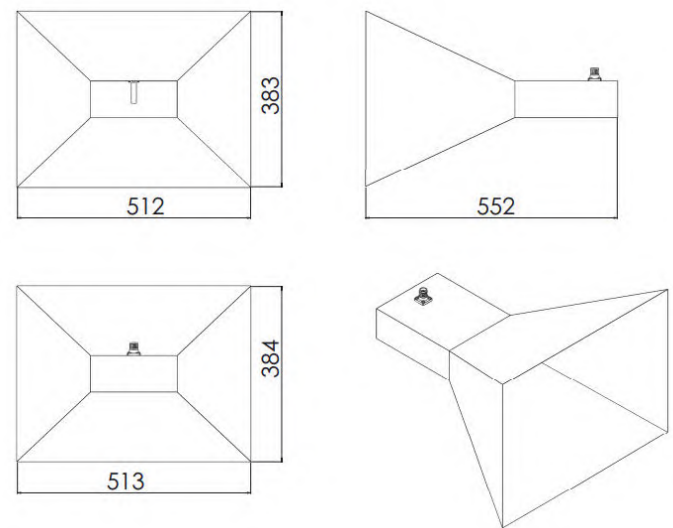
Applications

- EMI detection, orientation, detection
- Antenna Gain and Pattern Measurement
- Communication system

Electrical Specifications

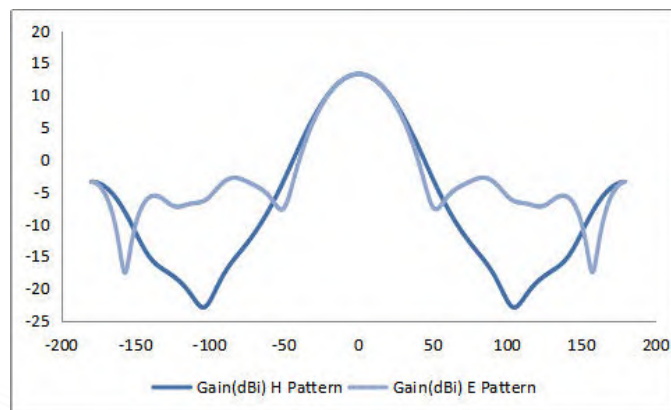
Frequency	(1 - 2) GHz
Gain	(15) dBi
Polarization mode	linear
3dB Beam Width	/
VSWR	2.0 Max.
connector	SMA or N
Dimensions (mm)	563*423*560
weight (Kg)	5.7

Product Dimensions

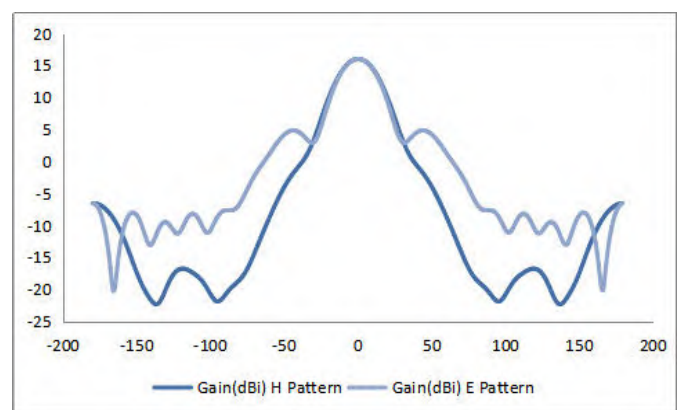


Test

Frequency=1 GHz

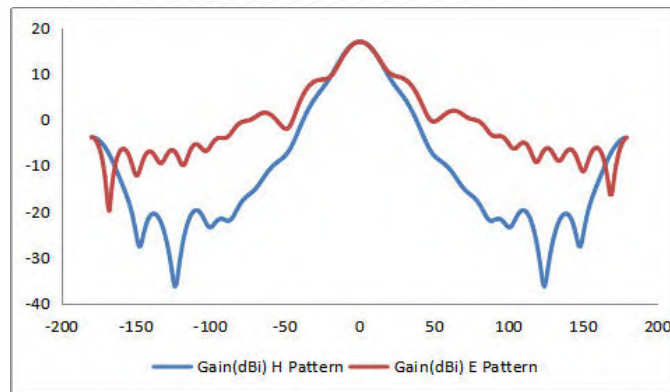


Frequency=1.5 GHz

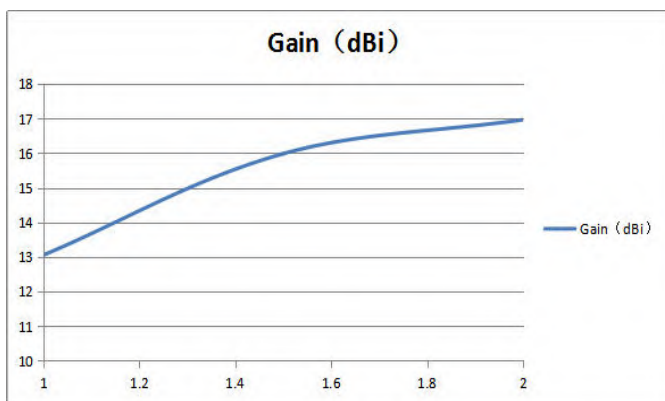




Frequency=2 GHz



Gain



VSWR

