

# Horn Antenna

## OLB-08-23

This WR-08 standard gain horn antenna has a GAIN(22-24)dBi across the band and a square cover flange. It has a frequency of (90.0-140.0)GHz .

Standard gain horn antenna OLB-08-23 is known as a waveguide horn covers WG28, WR08,R1200 bands. It is manufactured using the precision electrode cut coppersections providing accurate, consistent and reliable performance.

This antenna is suitable for Antenna Ranges ;Antenna Gain Measurements SystemSetups.

HPBW of OLB-08-23 has a V-Plane & H-Plane beam width from 13 degree to 18degree.



### Features

- Inline Configuration
- Linear Polarization
- DC Short Circuit at Input
- High Return Loss

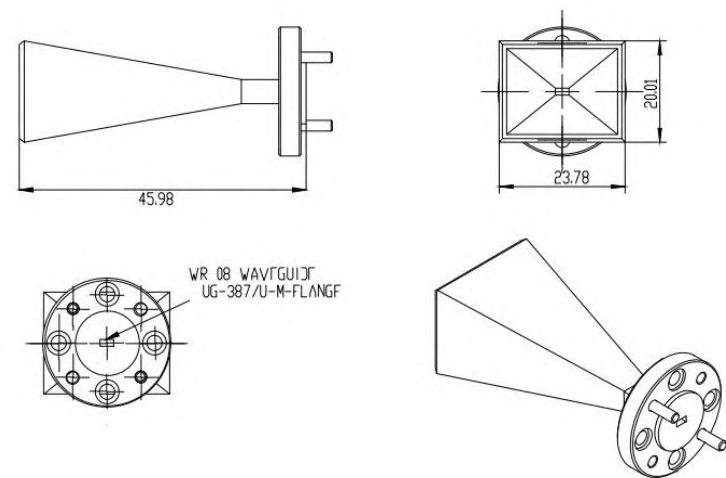
### Applications

- Antenna Ranges
- Antenna Gain Measurements
- System Setup

### Electrical Specifications

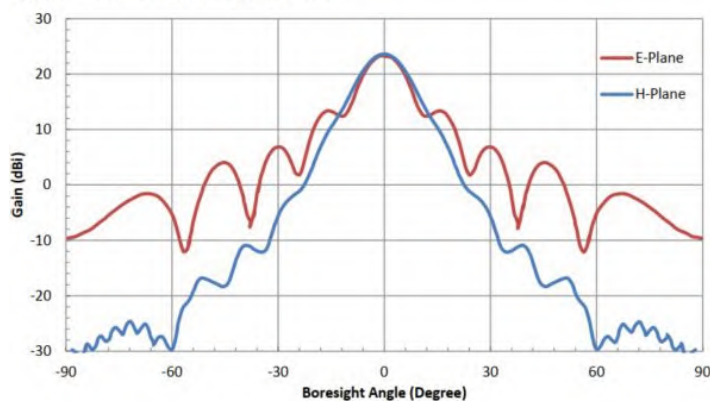
Frequency	( 90-140 ) GHz
Gain	23dBi
Polarization Linear	Linear
3 dB Beamwidth, E-Plane	11°
3 dB Beamwidth, H-Plane	12°
Side Lobes, E-Plane	14dB
Side Lobes, H-Plane	30dB
VSWR	1.15:1

### Product Dimensions



### Test

Typical Antenna Pattern @ 115 GHz



Typical Gain vs. Frequency

