

Horn Antenna

OLB-08-25

This WR-08 standard gain horn antenna has a GAIN(24-26)dBi across the band and a square cover flange. It has a frequency of (90.0-140.0)GHz .

Standard gain horn antenna OLB-08-25 is known as a waveguide horn covers WG28, WR08,R1200 bands. It is manufactured using the precision electrode cut coppersections providing accurate, consistent and reliable performance.

This antenna is suitable for Antenna Ranges ;Antenna Gain Measurements SystemSetups.

HPBW of OLB-08-25 has a V-Plane & H-Plane beam width from 10 degree to 15degree.



Features

- Inline Configuration
- Linear Polarization
- DC Short Circuit at Input

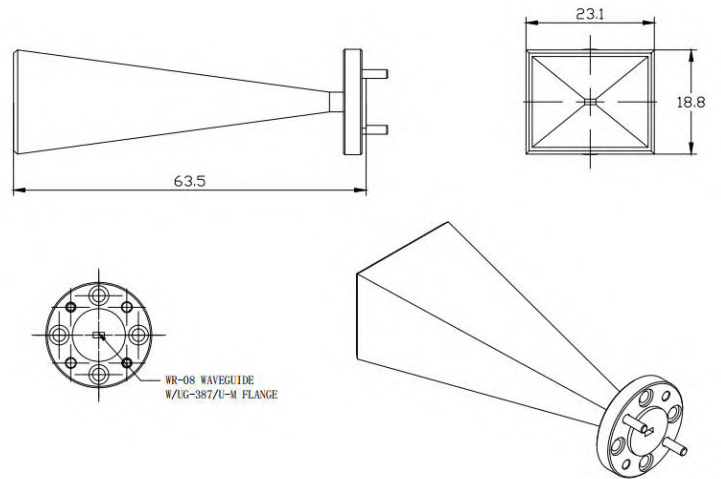
Applications

- Antenna Ranges
- Antenna Gain Measurements
- System Setup

Electrical Specifications

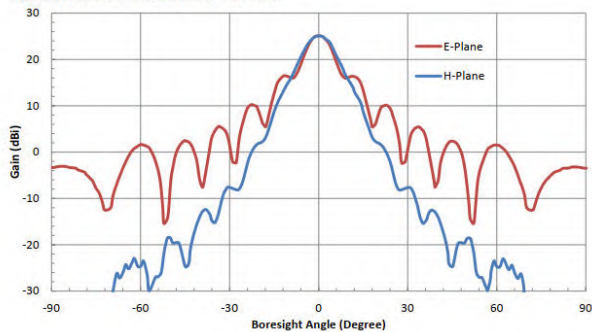
Frequency	(90-140) GHz
Gain	25dBi
Polarization Linear	Linear
3 dB Beamwidth, E-Plane	9°
3 dB Beamwidth, H-Plane	10°
Side Lobes, E-Plane	14dB
Side Lobes, H-Plane	30dB
VSWR	1.15:1

Product Dimensions



Test

Typical Antenna Patterns @ 140 GHz



Typical Gain vs. Frequency

