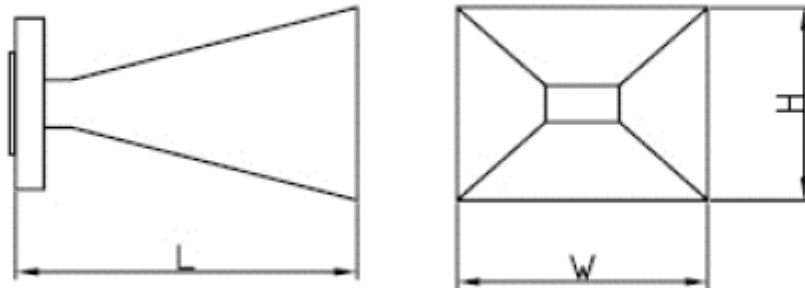


一、Description

Frequency Range(GHz)	60.0 - 90.0
Gain(dBi)	10 Typ.
3dB Beamwidth(deg)	55 Typ.
Waveguide	WR12
Material	Cu
Output	A Type: FUGP740
Size(mm) W x H x L	A Type: 7.5x6.5x20
Net Weight(Kg)	A Type: 0.01 Around

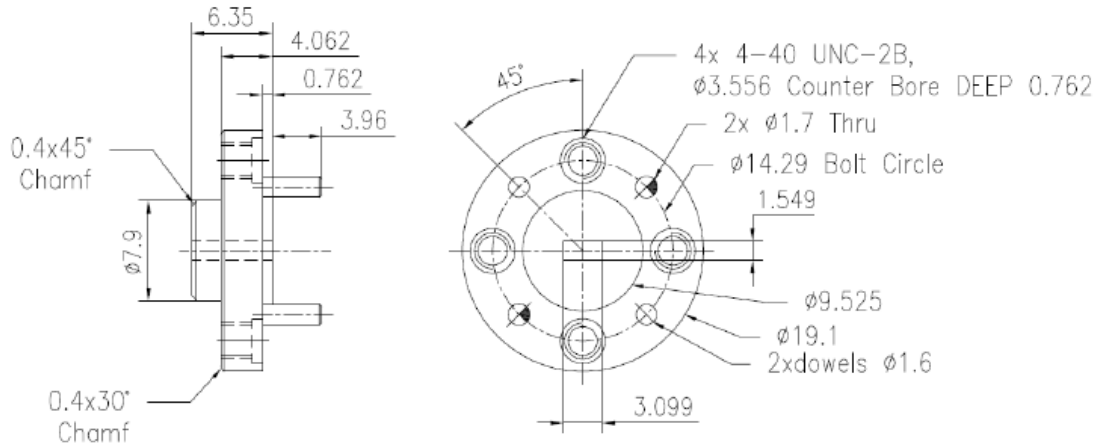
二、Dimension(mm)

A Type



W x H x L: 7.5x6.5x20

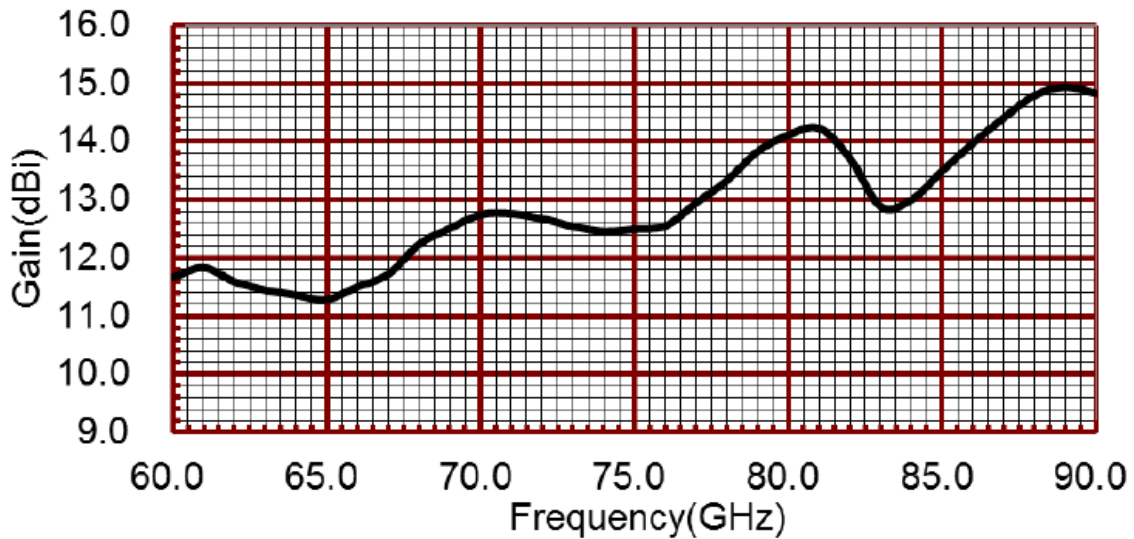
三、Flange Drawing(mm)



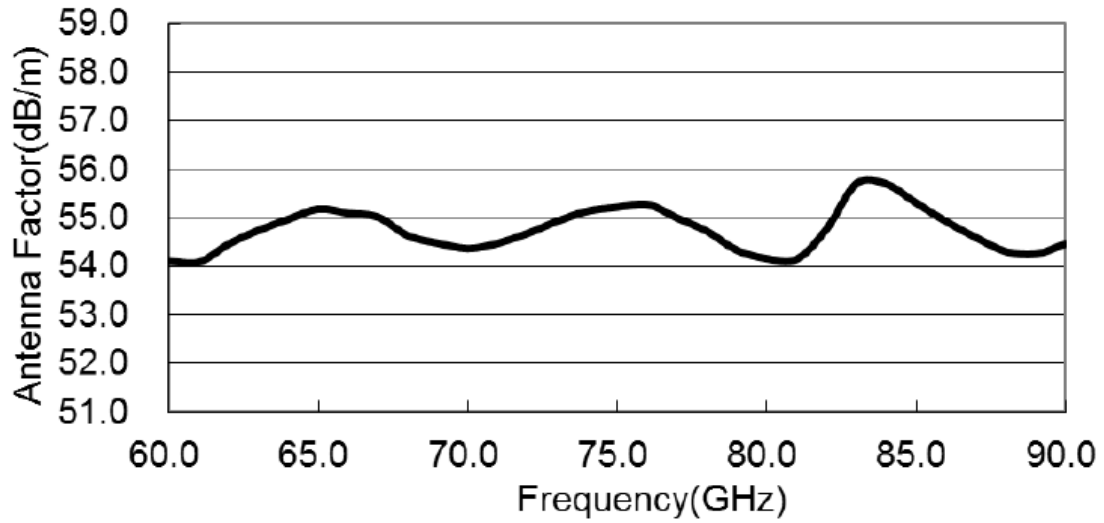
FUGP740  
(equivalent to UG-387/U)

#### 四、Test Result

##### 1、Gain&Frequency



##### 2、Antenna Factor



Frequency(GHz)	Gain(dBi)	Antenna Factor(dB/m)
60	11.67	54.11
62	11.59	54.46
64	11.36	54.97
66	11.51	55.09
68	12.23	54.63
70	12.74	54.37
72	12.68	54.68
74	12.46	55.14
76	12.55	55.28
78	13.33	54.72
80	14.11	54.16
82	13.71	54.77
84	13.00	55.70
86	13.98	54.92
88	14.79	54.31
90	14.83	54.47

### 3、Pattern

