

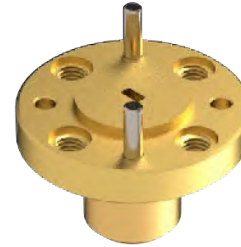
Conical Antenna

OCN-08-15

Model OCN-08-15 is an F-band conical horn antenna with WR-08 rectangular waveguide interface that operates from 100 to 112 GHz.

The antenna offers 15 dB nominal gain and atypical half power beamwidth of 30 degrees on the E-plane and 36 degrees on the H-plane.

The horn also offers typical side lobes of -16 dB on the E-plane and -28 dB on the H-plane. The conical horn can support linear polarization. The RF connector of this antenna is a WR-08 waveguide with UG-387/U-M flange.



Features

- Circular Waveguide Interface
- Precisely Machined and Gold Plated
- High Return Loss
- Linear Polarization

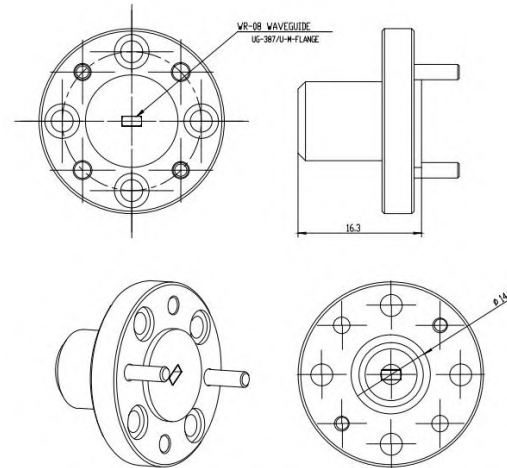
Applications

- Antenna Ranges
- Feed Horns
- System Setups

Electrical Specifications

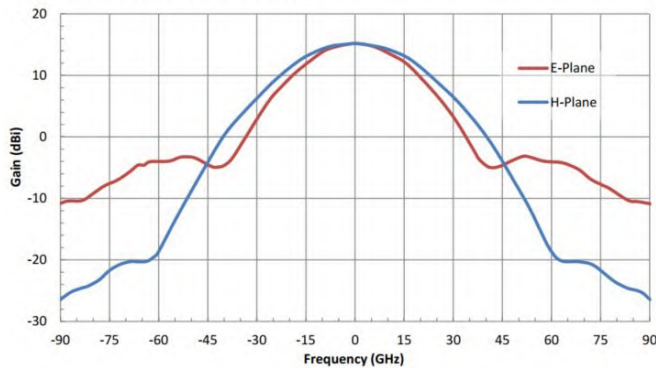
Frequency	100GHz — 112GHz
Gain	15dB
3 dB Beamwidth, E-plane	32°
3 dB Beamwidth, H-plane	36°
Side Lobes, E-plane	-16dB
Side Lobes, H-plane	-28dB
VSWR	1.15:1
Specification Temperature	+25°C
Operating Temperature	-40°C — +85°C

Product Dimensions



Test

Typical Antenna Pattern @ 106 GHz



Typical Gain vs. Frequency

