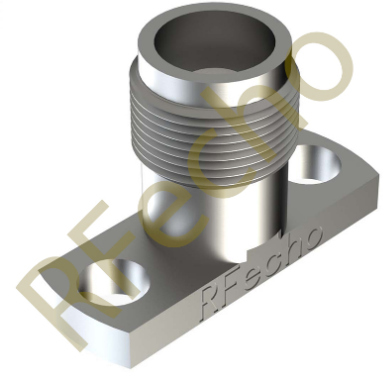


SuperSMA Jack (Female) 2 Hole .550 Long

D590-P20-F05



This model D590-P20-F05 is a Connector utilizes the basic PTFE dielectric interface and features low VSWR mode free through 27 GHz and less than -100 dB RF leakage. The thick outer conductor wall provides great durability to assure reliability in repeat mating, enhancing component performance.

Features

low VSWR
free through 27 GHz and less than -100 dB RF leakage.

Available Accesories

50 ohm Seal

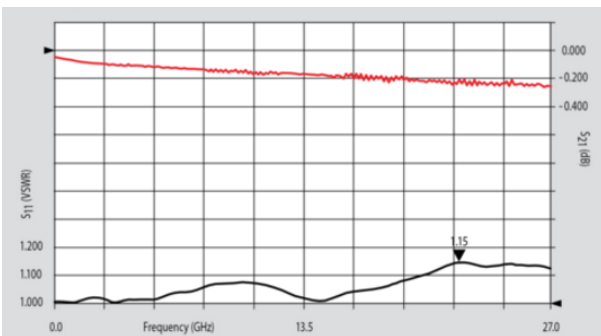
Applications

- Telecom Communication
- Sub-assemblies
- Radio equipment and instruments
- Wireless Communication
- Test Labs
- Instrumentations

Electrical Specifications

Frequency	(18-27) GHz
Flange Size	.550 L
Mounting	2-Hole Flange
Hermetic Seal Available	YES
Accepts Pin Diameter	.020
Gender	Female
Flange Hole Diameter	.102

Isolation & VSWR



PRODUCT DIMENSIONS

