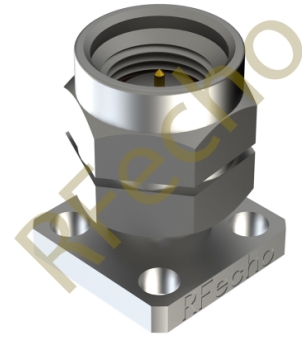


1.85mm (V) Plug (Male) 4 Hole .375 Square D181-P17-F02



This is model D181-P17-F02, 1.85mm connectors are durable, operational temperature rating of -55°C to +165°C. 1.85mm connectors provide mode-free operation through 67 GHz, offering well-matched impedance, excellent repeatability, having the low VSWR and RF leakage (≤ -100 dB).

Features

low VSWR
free through 67 GHz and less than -100 dB RF leakage.

Available Accesories

50 ohm Seal

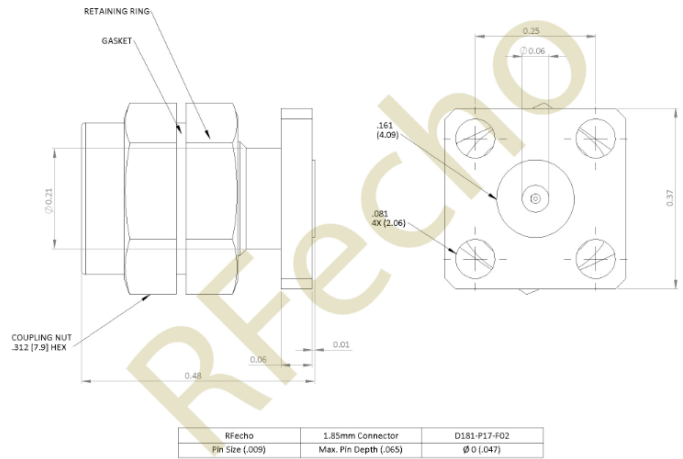
Applications

- Telecom Communication
- Sub-assemblies
- Radio equipment and instruments
- Wireless Communication
- Test Labs
- Instrumentations

Electrical Specifications

Frequency	(18-67) GHz
Mounting	4-Hole Flange
Flange Size	.375 SQ
Hermetic Seal Available	YES
Accepts Pin Diameter	.009
Gender	Male
Flange Hole Diameter	0.067
Tools, C-bore	T-1491-1
Tools, Solder	T-1412-15

PRODUCT DIMENSIONS



Isolation & VSWR

